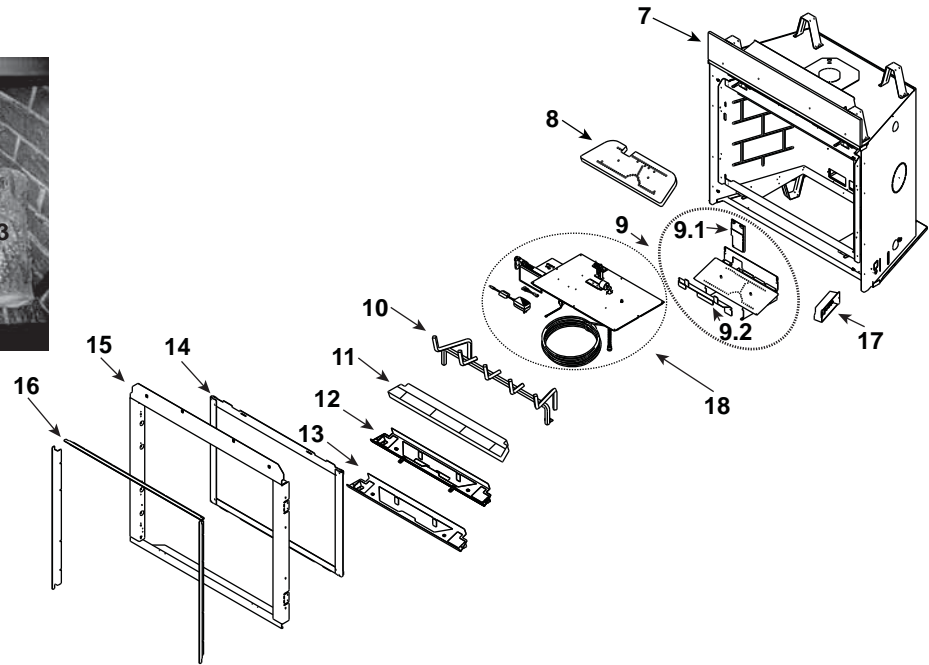
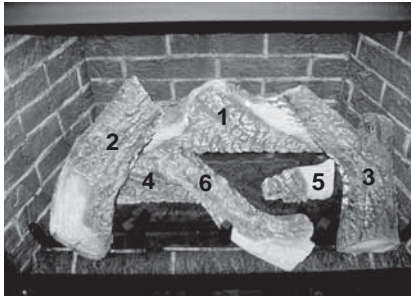


### Log Set Assembly



IMPORTANT: THIS IS DATED INFORMATION. Parts must be ordered from a dealer or distributor. **Hearth and Home Technologies does not sell directly to consumers.** Provide model number and serial number when requesting service parts from your dealer or distributor.



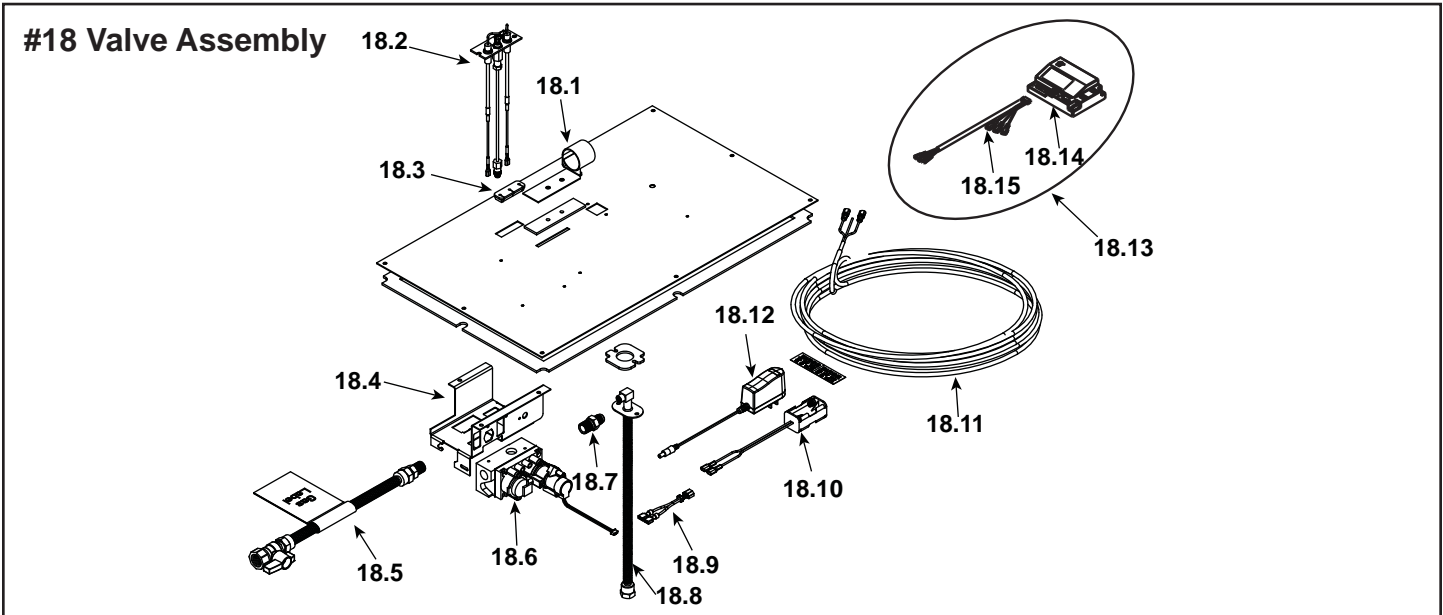
**Stocked  
at Depot**

ITEM	DESCRIPTION	COMMENTS	PART NUMBER	
	Log Set Assembly		LOGS-6C	Y
1	Log 1		SRV2164-701	
2	Log 2		SRV2164-702	
3	Log 3		SRV2164-703	
4	Log 4		SRV2164-704	
5	Log 5		SRV2164-705	
6	Log 6		SRV2164-706	
7	Insulation Board		2166-136	
8	Burner Top		SRV2166-100	Y
9	Burner NG		2164-007	Y
	Burner LP		2164-008	Y
9.1	Air Scoop		2170-188	
9.2	Pilot Cover		2170-181	
10	Log Grate		2166-104	
11	Air Cover		2164-144	
12	Base Refractory		SRV6BASE-STRAT	
13	Refractory Basket		2166-108	
14	Glass Door Assembly		GLA-6000G	Y
15	Surround Assembly		2166-019	
16	Finishing Strips (Sold as kit only)		SRVFS-6	
17	Junction Box		4021-013	Y

No one builds a better fire

Beginning Manufacturing Date: Aug 2009

Ending Manufacturing Date: Active



IMPORTANT: THIS IS DATED INFORMATION. Parts must be ordered from a dealer or distributor. **Hearth and Home Technologies does not sell directly to consumers.** Provide model number and serial number when requesting service parts from your dealer or distributor.



Stocked at Depot

ITEM	DESCRIPTION	COMMENTS	PART NUMBER	
18.1	Shutter Bracket Assembly		2166-157	Y
18.2	Pilot Assembly NG		2166-370	Y
	Pilot Assembly LP		2166-371	Y
	Pilot Tube		SRV485-301	Y
18.3	3-hole Grommet		2118-420	
18.4	Valve Bracket		2118-104	
18.5	Flex Ball Valve Assembly		302-320A	Y
18.6	Valve NG		2166-302	Y
	Valve LP		2166-303	Y
18.7	Male Connector	Pkg of 5	303-315/5	Y
18.8	Bulkhead W/Tube		2166-119	Y
18.9	Jumper Wire		2187-198	Y
18.10	Battery Pack **		2166-323	Y
18.11	Thermostat Wire Assembly		2118-170	Y
18.12	Transformer		2326-131	Y
18.13	Control Assembly		2164-030	Y
18.14	Module		2166-307	Y
18.15	Wire Harness		2166-304	Y
	Burner Orifice NG (#37C)	<b>6000C-IPI</b>	582-837	Y
	Burner Orifice LP (#52C)		582-852	Y
	Burner Orifice NG (#33C)	<b>8000C-IPI</b>	582-833	Y
	Burner Orifice LP (#50C)		582-850	Y

\*\*Fuse for battery pack can be sourced locally, not a warranty item. Specs are 250v, 1A fuse, 3/4" long

Additional service part numbers appear on following page.

