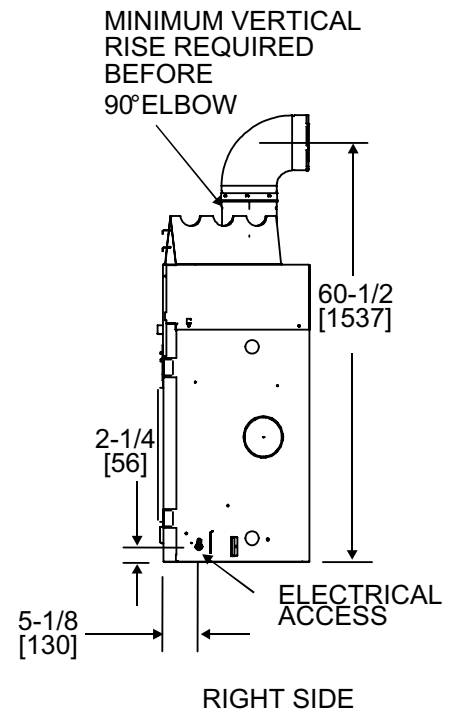
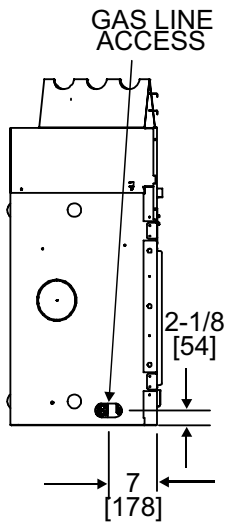
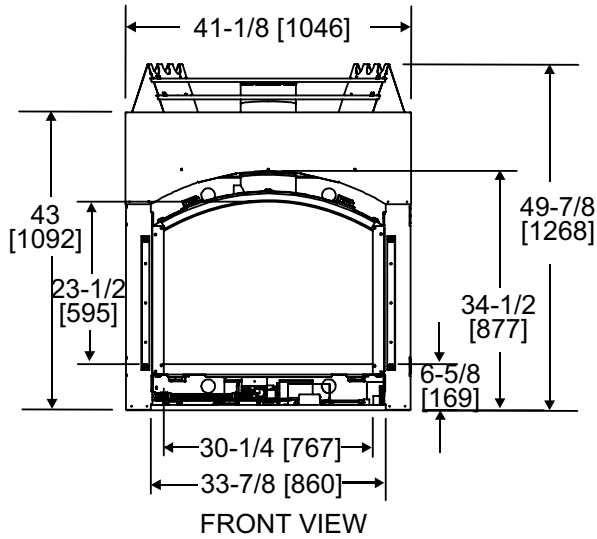
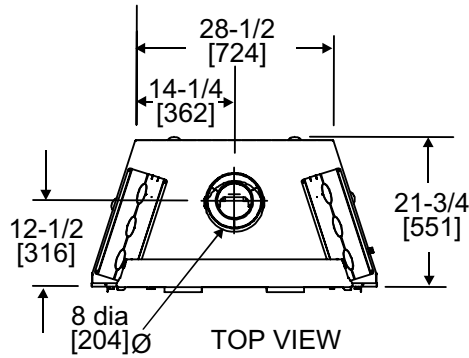




Please consult the manufacturer's installation manual for all details and requirements before making a final design layout decision.

Cerona-36 Direct Vent Gas Fireplace

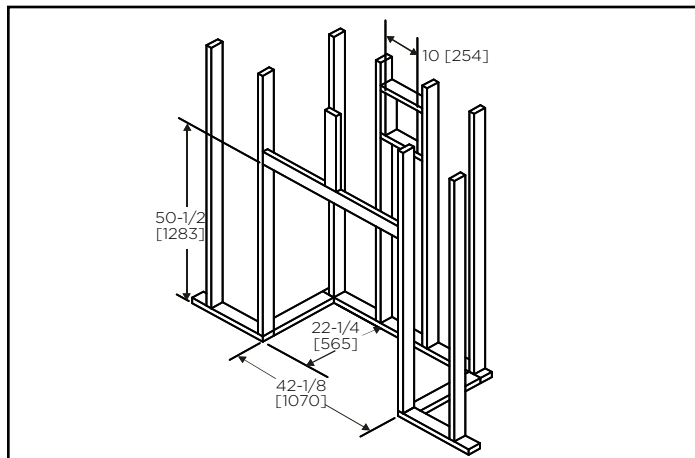
MODEL	FRONT WIDTH		BACK WIDTH		HEIGHT		DEPTH		VIEWING AREA
	Actual	Framing	Actual	Framing	Actual	Framing	Actual	Framing	
CERONA-36	41-1/8	42-1/8	28-1/2	42-1/8	49-7/8	50-1/2	21-3/4	22-1/4	30-1/4 X 23-1/2



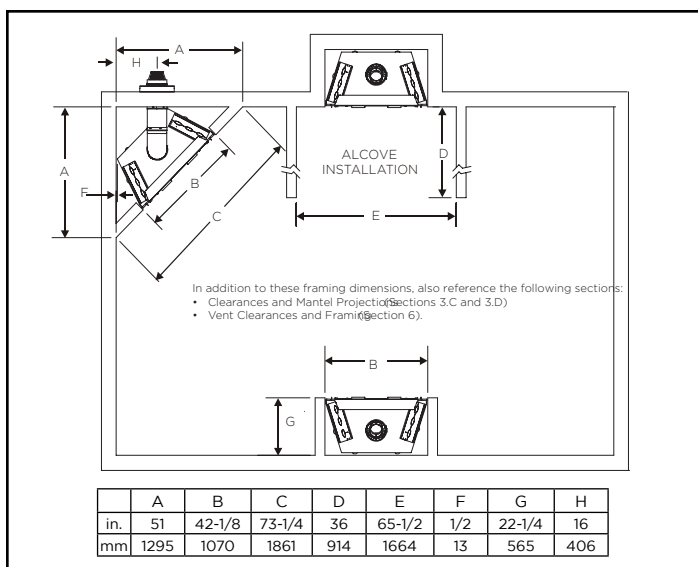
MINIMUM FIREPLACE CLEARANCES

AREA	TO COMBUSTIBLES (in inches)
CLEARANCE TO CEILING FROM TOP OF ARCH OPENING	49
NON-COMBUSTIBLE FLOOR	0
COMBUSTIBLE FLOORING	8
BEHIND APPLIANCE	1/2
SIDES OF APPLIANCE	1/2
FRONT OF APPLIANCE	36

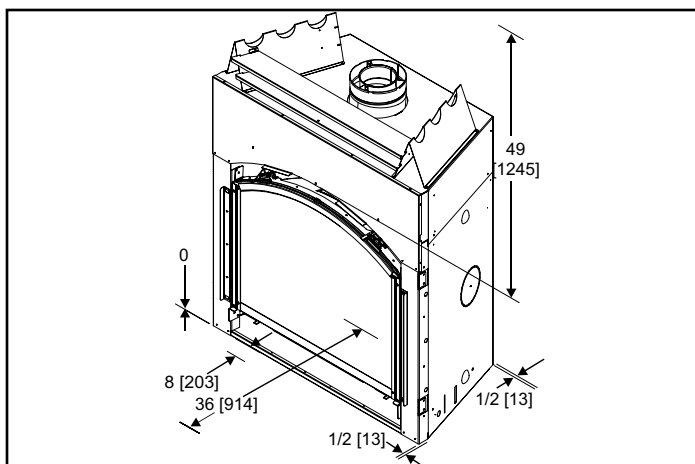
FRAMING DIMENSIONS



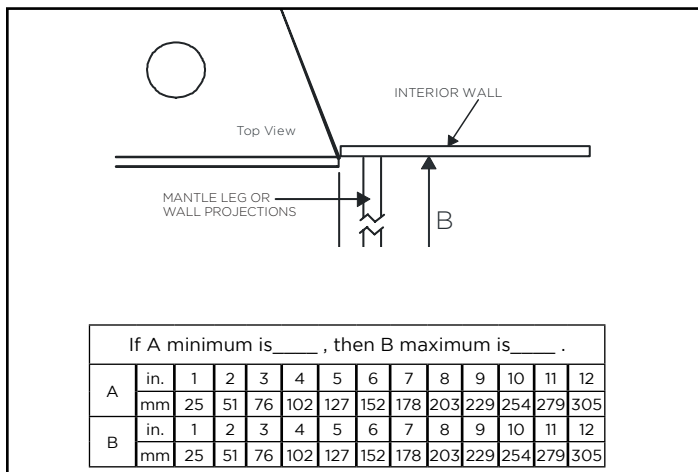
APPLIANCE LOCATION



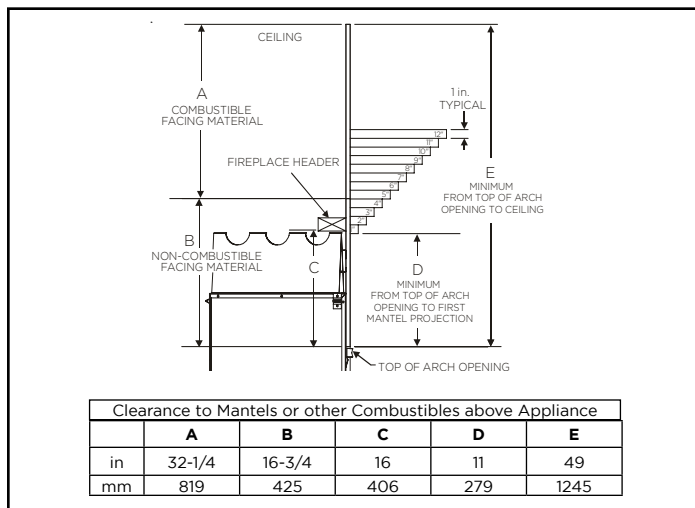
CLEARANCES TO COMBUSTIBLES




MANTEL LEG/WALL PROJECTIONS



MANTEL PROJECTIONS



PRODUCT LISTING CODES	
US	ANSI Z21.88b-2005
CAN	CSA 2.33b-2005
	UL307B

Product information provided is not complete and is subject to change without notice. Product installation must adhere strictly to instructions accompanying product to avoid risk of fire and potential injury.

Additional information can be found online at www.heatnglo.com