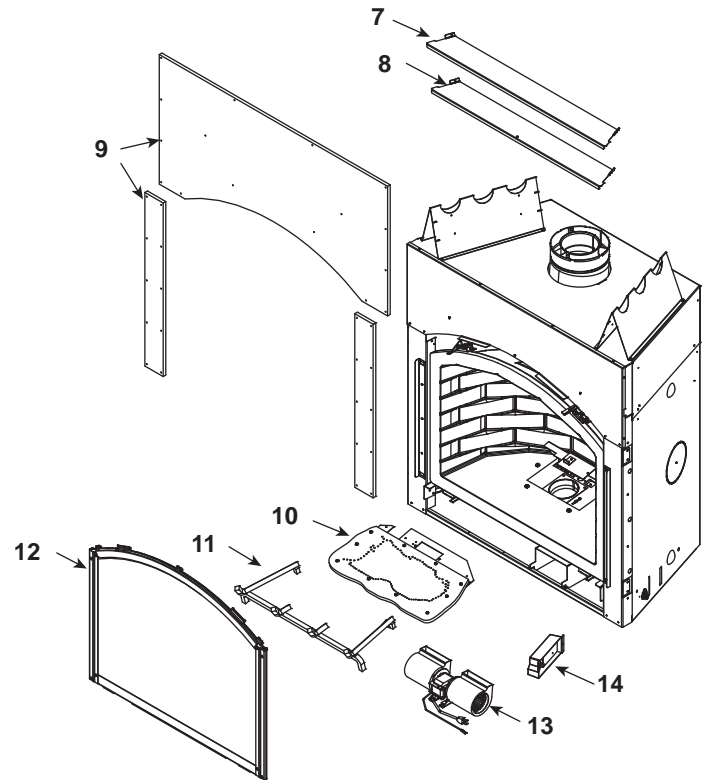


### Log Set Assembly



**IMPORTANT: THIS IS DATED INFORMATION.** Parts must be ordered from a dealer or distributor. **Hearth and Home Technologies does not sell directly to consumers.** Provide model number and serial number when requesting service parts from your dealer or distributor.



**Stocked at Depot**

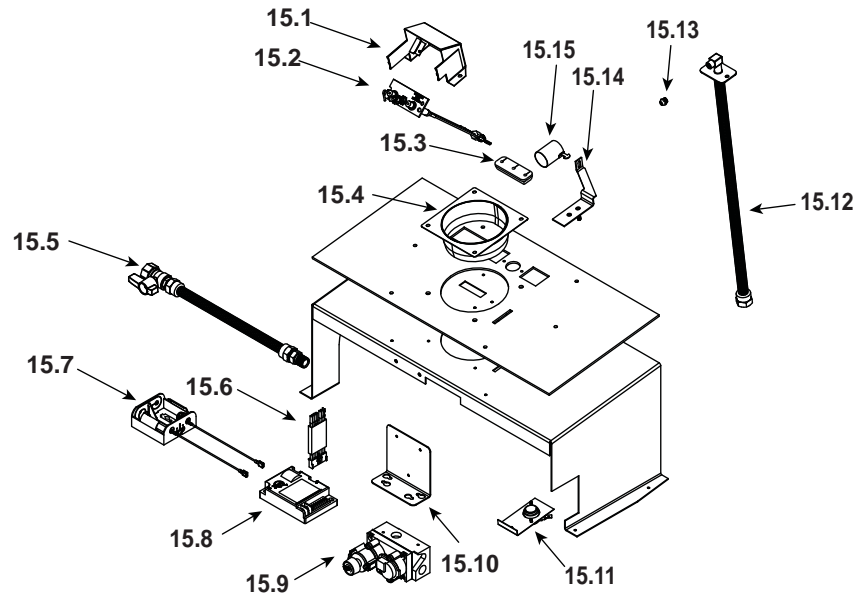
ITEM	DESCRIPTION	COMMENTS	PART NUMBER	
	Log Set Assembly		LOGS-CERONA36	Y
1	Log 1		SRV2106-701	
2	Log 2		SRV2106-703	
3	Log 3		SRV2106-705	
4	Log 4		SRV2106-704	
5	Log 5		SRV2106-702	
6	Log 6		SRV2106-706	
7	Top Header Heat Shield		2106-144	
8	Bottom Header Heat Shield		2106-145	
9	Non-Combustible Board Assembly		2106-030	
10	Burner NG, LP		2106-003	Y
11	Grate Assembly		2106-006	
12	Glass Door Assembly		GLA-CERONA36	Y
13	Fan Kit		GFK-160A	
14	Junction Box		4021-013	Y
	Control Box	<b>No longer available</b>	2106-025	
		Post Sn #0021359350	WSK-MLT	

No one builds a better fire

Beginning Manufacturing Date: Aug 2006

Ending Manufacturing Date: Active

### #15 Valve Assembly



IMPORTANT: THIS IS DATED INFORMATION. Parts must be ordered from a dealer or distributor. **Hearth and Home Technologies does not sell directly to consumers.** Provide model number and serial number when requesting service parts from your dealer or distributor.



Stocked  
at Depot

ITEM	DESCRIPTION	COMMENTS	PART NUMBER	
15.1	Pilot Bracket		2106-135	
15.2	Pilot Assembly NG		2106-009	Y
	Pilot Assembly LP		2106-008	Y
15.3	3-Hole Grommet		2118-420	
15.4	Collar 4"		2081-140	
15.5	Flex Ball Valve Assembly		302-320A	Y
15.6	Module Wire Assembly		593-590A	Y
15.7	Battery Pack		593-594A	Y
15.8	Module		593-592	Y
15.9	Valve NG		750-500	Y
	Valve LP		750-501	Y
15.10	Valve Bracket		2106-107	
15.11	High Temp Limit Switch	Pre June 2009 must order both switch, Wire, and shutter Bracket assembly	2106-005 and 107-559A	Y
			2106-010(NG) or 2106-071(LP)	Y
		Post June 2009	2106-005	Y
15.12	Flexible Gas Connector		530-302A	Y
15.13	Orifice NG (#32)		582-832	Y
	Orifice LP (#50)		582-850	Y
15.14	Shutter Bracket Assembly (NG)		2106-010	Y
	Shutter Bracket Assembly (LP)		2106-071	Y
15.15	Shutter Sleeve		2026-130	Y

Additional service part numbers appear on following page.

