

HEAT & GLO®



DESIGNED | to inspire

CERONA

Direct Vent Gas Fireplace

CERONA

Innovative Elegance

The Cerona delivers powerful heat output through a stylish design. Advanced engineering enhances performance and maximizes efficiency. Robust flames dance within a unique, arched firebox with a custom-built, masonry appearance.

Transform your space with innovative elegance, only from Heat & Glo.



Cover: Cerona shown with Cultured Stone dry stack ledgerstone, chateau deluxe front in black and arch trim stone.

Above: Cerona shown with valencia front in new bronze and custom mantel and stone.



ROBUST DESIGN

A collection of fronts and finishes help create your own unique look. Patented FireBrick® material provides masonry style and 25% greater radiant heat.

Cerona shown above with galleria doors in black and custom surround.



VARIABLE HEAT

The Cerona produces serious heat output—and is easily adjustable. Utilize 30% turndown, or optional Heat Zone® or Heat Duct kits to distribute heat to other areas of the home.

Cerona shown above with Cultured Stone dry stack ledgerstone, chateau deluxe front in black and arch trim stone.

FEATURES

- 36" and 42" models
- Cerona 36": 37,500 BTU, Cerona 42": 48,000 BTU
- Up to 78% efficient (steady state)
- Multiple fronts and finishing options
- Cantilevered FireBrick® interior

INTELLIFIRE™

The IntelliFire Ignition System (IPI) is an advanced intermittent pilot ignition system. IPI constantly monitors ignition, ensures safe functioning and conserves up to \$10/month in energy costs. Scan with your smartphone to learn more about IntelliFire, or visit heatnglo.com.



FIREBRICK®

FireBrick is a patented, energy-saving ceramic material molded in a variety of masonry designs. FireBrick produces up to 25% more radiant heat than metal fireboxes—heating rooms faster and using less fuel. This increases efficiency and reduces heating costs. Scan with your smartphone to learn more about FireBrick, or visit heatnglo.com.



DIRECT VENT TECHNOLOGY

Direct Vent fireplaces remove 100% of combustion exhaust and odors outside of the home. These sealed fireplaces provide optimal heat, conserve energy and ensure clean, safe indoor air quality. Scan with your smartphone to learn more about Direct Vent technology, or visit heatnglo.com.



FINISHING OPTIONS

Customize your Cerona with a unique front or door. Available in Black, Graphite or New Bronze.



Chateau Front



Chateau Deluxe Front



Valencia Front



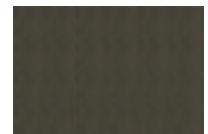
Galleria Doors



Black



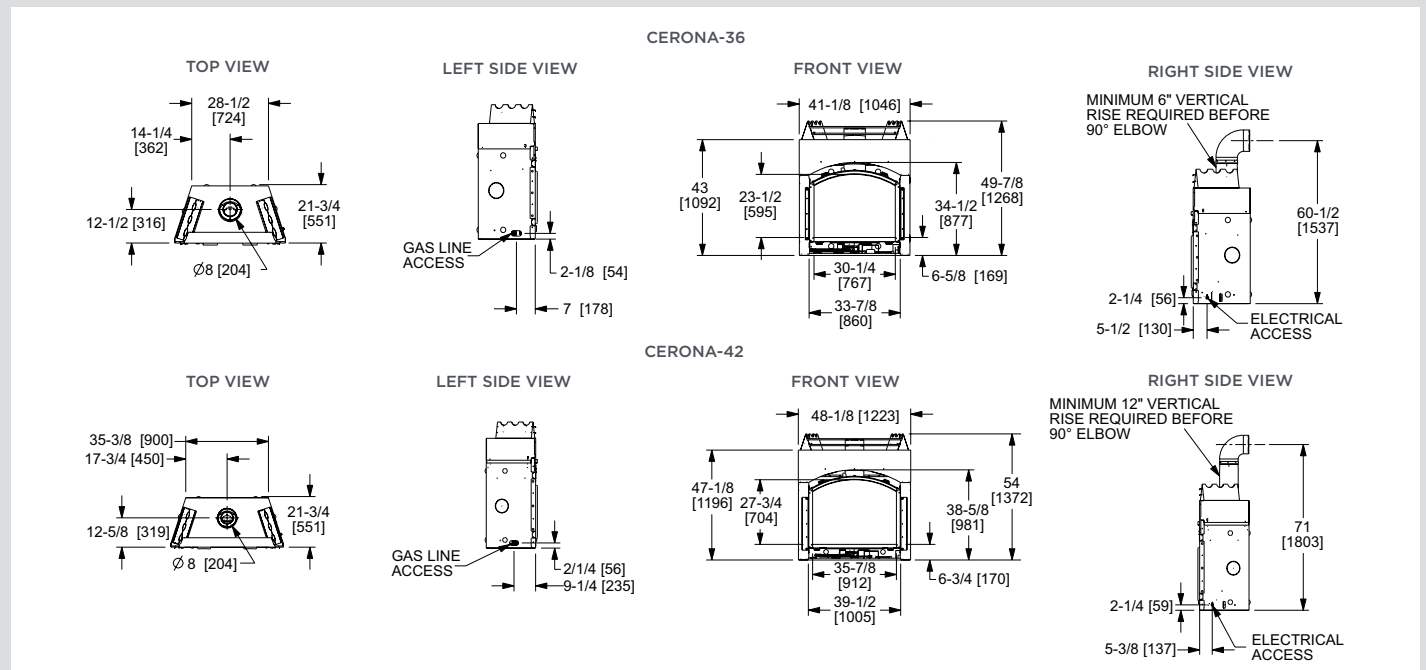
Graphite



New Bronze

CERONA SPECIFICATIONS

MODEL	FRONT WIDTH		BACK WIDTH		HEIGHT		DEPTH		GLASS SIZE	BTU/HR INPUT
	UNIT	FRAMING	UNIT	FRAMING	UNIT	FRAMING	UNIT	FRAMING		
CERONA-36	41-1/8	42-1/8	28-1/2	42-1/8	49-7/8	50-1/2	21-3/4	22-1/4	30-1/4 X 23-1/2	25,000-37,500 (NG)
	14-1/4 [362]	28-1/2 [724]	21-3/4 [551]	12-1/2 [316]	Ø8 [204]					
CERONA-42	48-1/8	49-1/8	35-3/8	49-1/8	54	54-1/2	21-3/4	22-1/4	35-7/8 X 27-3/4	32,000-48,000 (NG)



Dimensions in diagrams are in inches and millimeters. Dimensions in table are in inches. Product information is not complete and is subject to change without notice. Product installation must adhere strictly to instructions shipped with product. We recommend measuring individual units at installation. Assumes the use of 1/2" sheetrock. NOTE: Combustible material should not cover the face. Make sure you do NOT cover the decorative door opening.

Refer to installation manual for detailed specifications on installing this product. Heat & Glo reserves the right to update units periodically. The flame and ember appearance may vary based on the type of fuel burned and the venting configuration used. Actual product appearance, including flame, may differ from product images.

U.S. EFFICIENCIES

Steady State - Since most homeowners use their fireplaces for an extended time while they are in the room, Steady State measures how efficiently your fireplace converts fuel to heat once it is warmed up and running in a "steady state".

AFUE - AFUE rating is more typically used with appliances, like your furnace, that continually cycle on and off to maintain a constant temperature.

RATING	CERONA-36	CERONA-42
STEADY STATE	77.5% (NG), 77.5% (LP)	78.1% (NG), 78.1% (LP)
AFUE	61.4% (NG), 64.8% (LP)	60.7% (NG), 63.6% (LP)

CANADA EFFICIENCIES

EnerGuide (CSA P.4.1-02) - EnerGuide is a rating used in Canada to measure annual fireplace efficiency.

RATING	CERONA-36	CERONA-42
ENERGUIDE (CSA P.4.1-02)	64.1% (NG), 65.6% (LP)	63.0% (NG), 64.1% (LP)

For complete information on this model, please contact us at:



No one builds a better fire

A brand of Hearth & Home Technologies®

7571 215th Street West, Lakeville, MN 55044

Web: heatnglo.com

Phone: (888) 427-3973 (952) 985-6000

E-mail: info@heatnglo.com

[facebook.com/HeatandGlo](https://www.facebook.com/HeatandGlo)

twitter.com/HeatandGlo

[youtube.com/HeatandGlo](https://www.youtube.com/HeatandGlo)

HNG-1065U-1013

LIMITED LIFETIME WARRANTY*

The strongest in the industry, Heat & Glo provides a limited lifetime warranty on the most important aspects: firebox and heat exchanger.

*For full warranty details, go to www.heatnglo.com.

Fireplace glass and other surfaces get extremely HOT and can cause severe burns if touched. Do not remove the protective safety screen from the front of the glass. Keep a safe distance away. To learn more visit www.heatnglo.com/fireplacesafety

