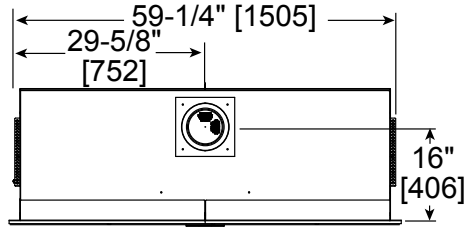




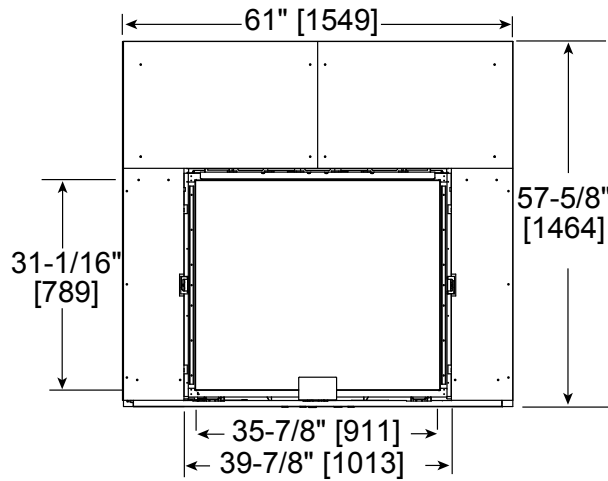
Please consult the manufacturer's installation manual for all details and requirements before making a final design layout decision.

True  
36" Direct Vent Gas Fireplace

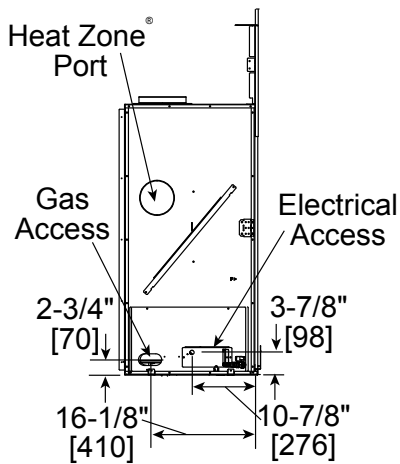
MODEL	FRONT WIDTH		BACK WIDTH		HEIGHT		DEPTH		GLASS SIZE
	Actual	Framing	Actual	Framing	Actual	Framing	Actual	Framing	
TRUE-36	61	59-1/2	59-1/4	59-1/2	57-5/8	56	24	24	35-7/8 x 31-1/16



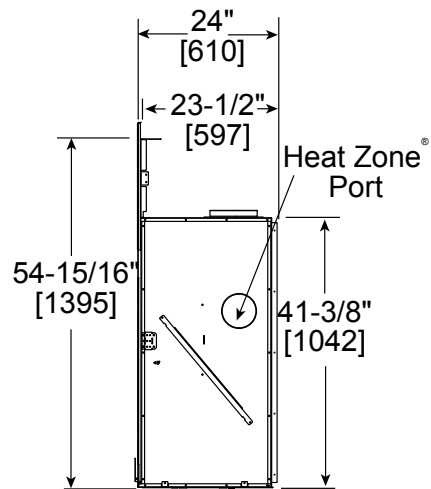
Top



Front

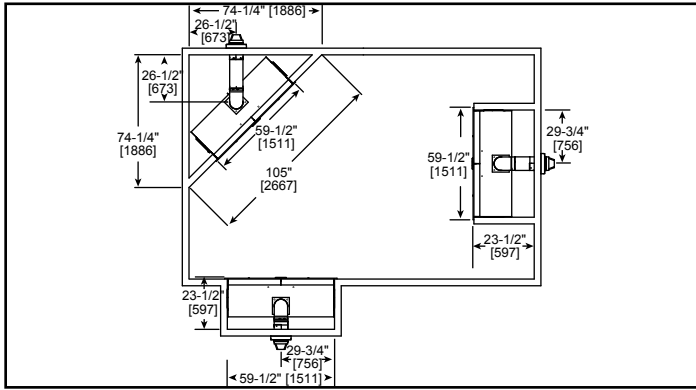


Left

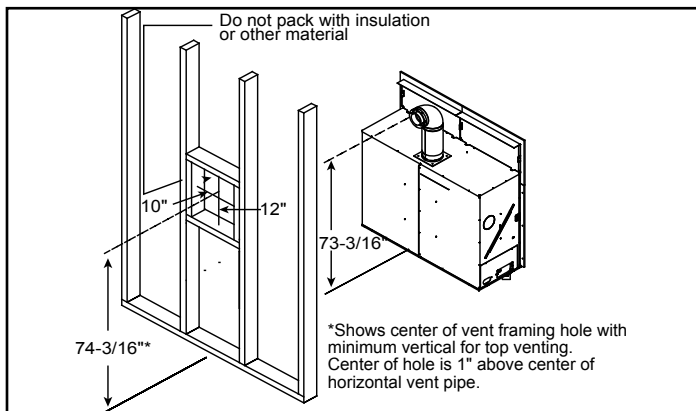


Right

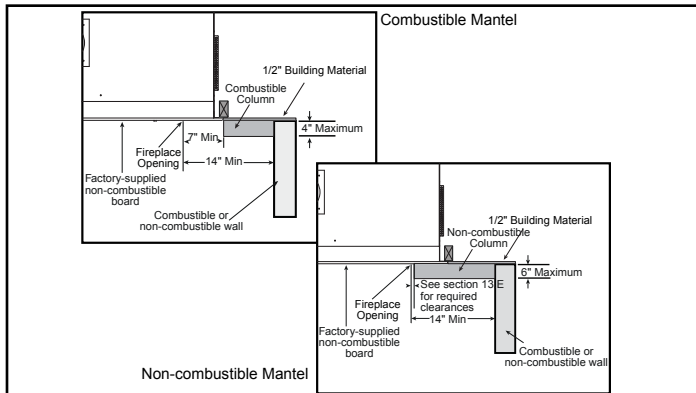
### APPLIANCE LOCATION



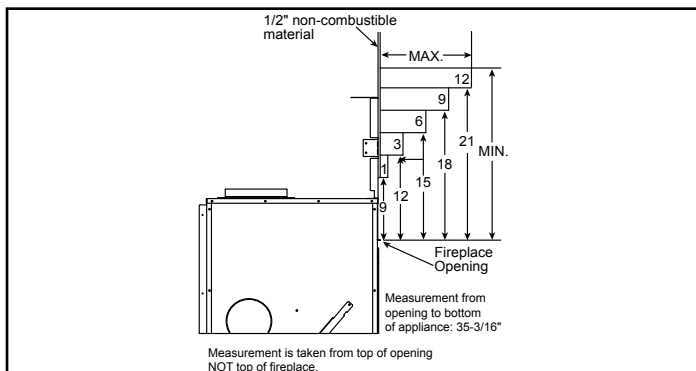
### WALL PENETRATION



### MANTEL LEG/WALL PROJECTIONS

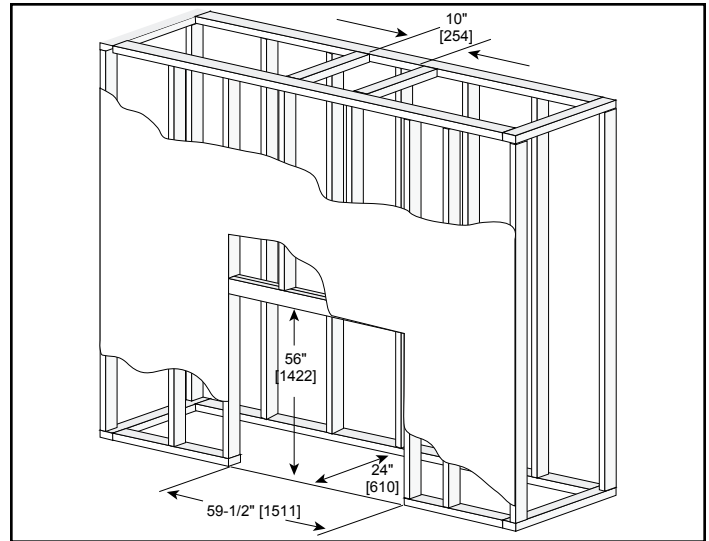


### MANTEL PROJECTIONS

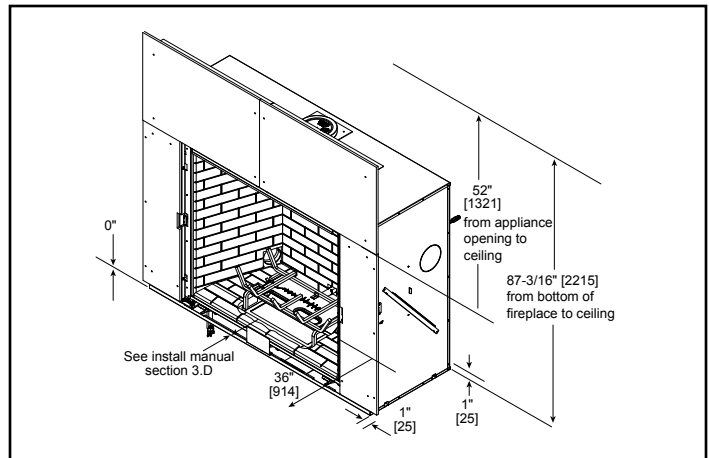


Combustible Mantel Projections. See installation manual for Non-combustible Mantel Projections

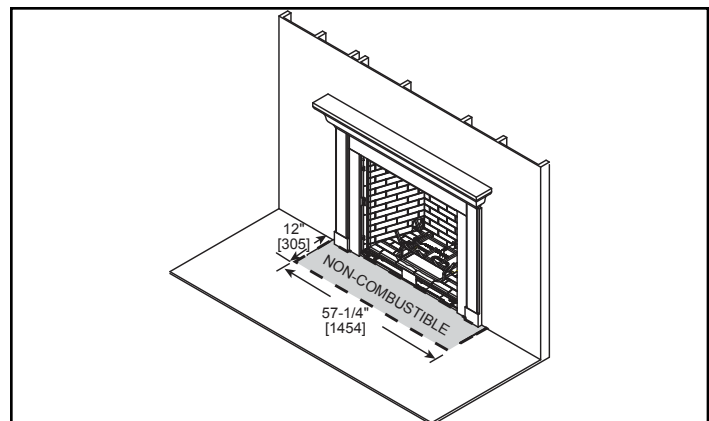
### FRAMING DIMENSION



### CLEARANCES TO COMBUSTIBLES



### HEARTH EXTENSION



PRODUCT LISTING CODES	
US	ANSI Z21.88b-2009
CAN	CSA 2.33a-2009
US LISTED	UL307B

Product information provided is not complete and is subject to change without notice. Product installation must adhere strictly to instructions accompanying product to avoid risk of fire and potential injury.

Additional information can be found online at [www.heatnglo.com](http://www.heatnglo.com)