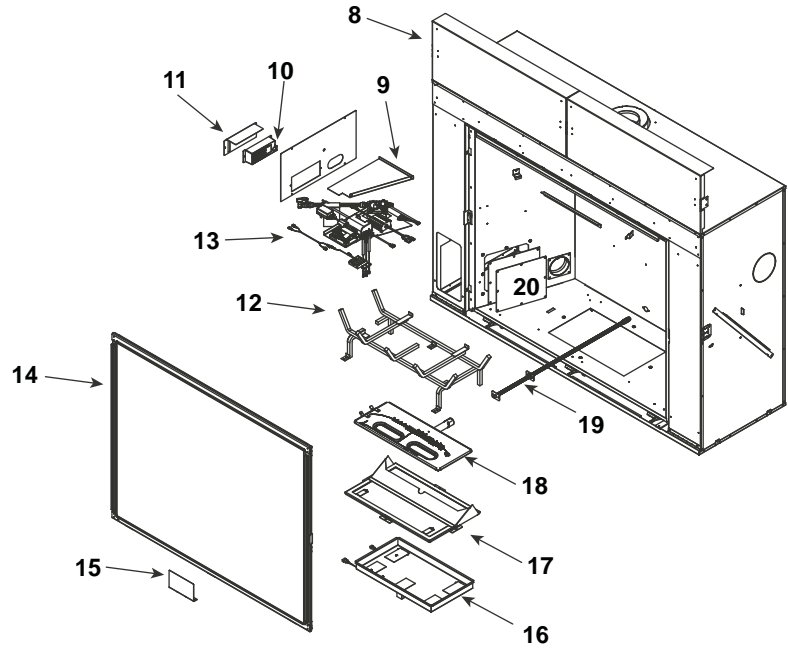
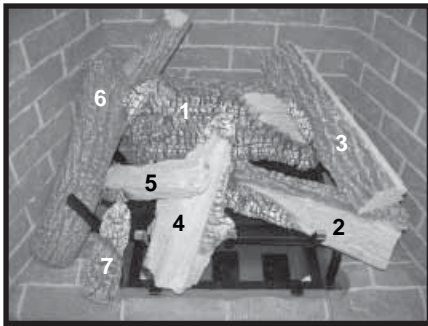


Log Set Assembly



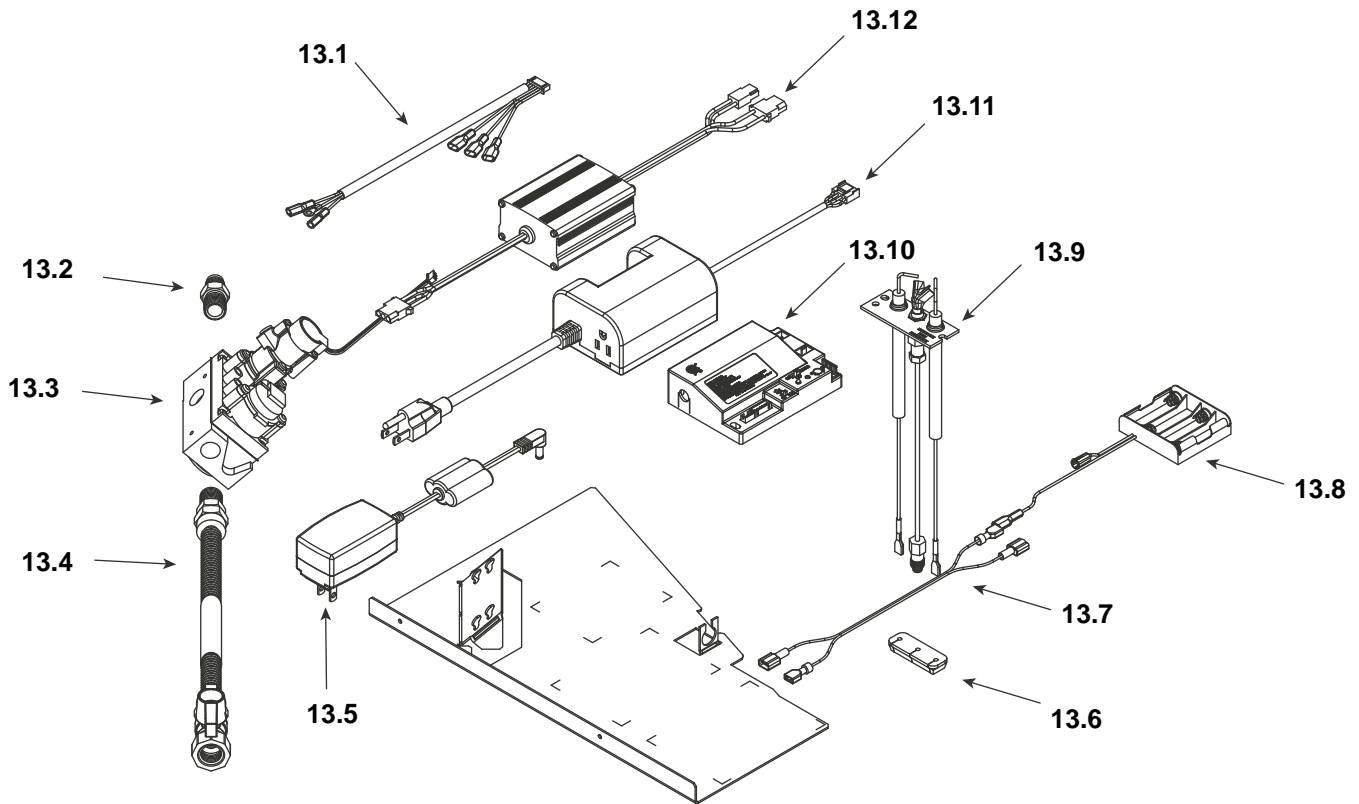
IMPORTANT: THIS IS DATED INFORMATION. Parts must be ordered from a dealer or distributor. **Hearth and Home Technologies does not sell directly to consumers.** Provide model number and serial number when requesting service parts from your dealer or distributor.



Stocked at Depot

ITEM	DESCRIPTION	COMMENTS	PART NUMBER	
	Log Assembly		LOGS-TRUE36	Y
1	Log 1		SRV2280-701	
2	Log 2		SRV2280-702	
3	Log 3		SRV2281-703	
4	Log 4		SRV2280-704	
5	Log 5		SRV2280-705	
6	Log 6		SRV2281-706	
7	Log 7		SRV2281-708	
8	Heat Shield, Header	Qty 2 req	2280-105	
9	Heat Shield, Valve		2281-153	
10	Junction box		4021-013	Y
11	J-Box Bracket		2281-154	
12	Grate Assembly		2280-015	
13	Valve Assembly		Refer to Valve Page	
14	Glass Assembly		GLA-2280	Y
15	Finishing Spacer		2281-113	
16	LED Tub Assembly		2280-017	
17	Inner Glass Frame Assembly		2280-019	
18	Burner Assembly		2280-007	Y
19	Orifice Bracket Flex		2012-008	Y
20	Access Plate		2281-117	

#13 Valve Assembly



IMPORTANT: THIS IS DATED INFORMATION. Parts must be ordered from a dealer or distributor. **Hearth and Home Technologies does not sell directly to consumers.** Provide model number and serial number when requesting service parts from your dealer or distributor.



Stocked at Depot

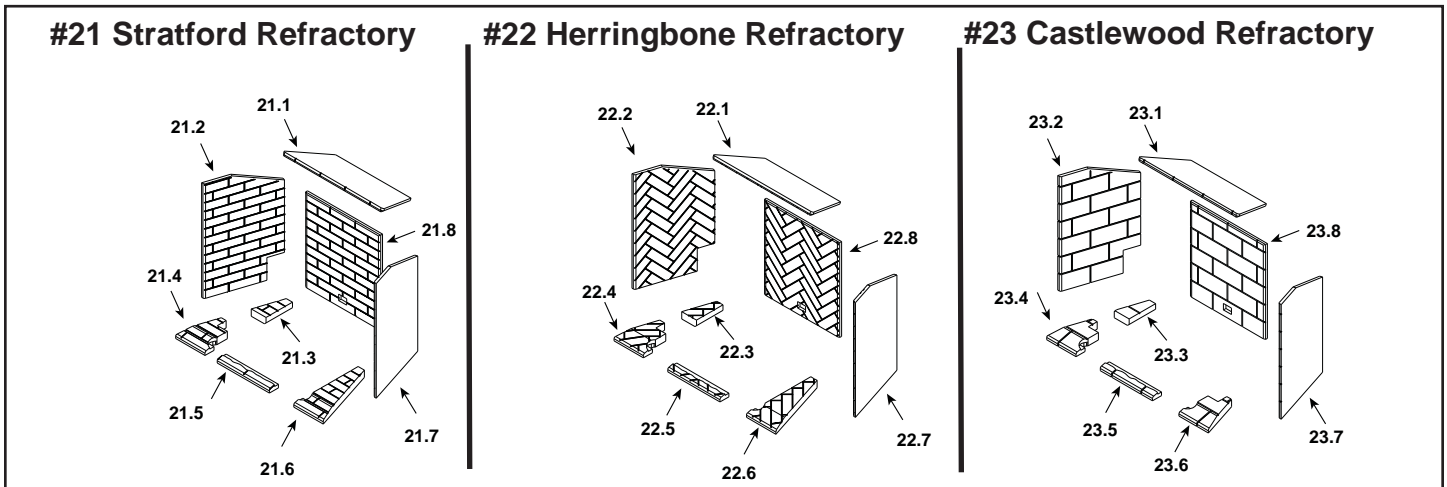
ITEM	DESCRIPTION	COMMENTS	PART NUMBER	
13.1	Wire Harness		2166-304	Y
13.2	Male connector	Pkg of 5	303-315/5	Y
13.3	Valve NG		2166-302	Y
	Valve LP		2166-303	Y
13.4	Flex Ball Valve Assembly, 12"		302-320A	Y
13.5	Power Supply		2326-131	Y
13.6	Grommet		2118-420	
13.7	Wire, Battery jumps, 10 in		2281-196	Y
13.8	**Battery Pack		2166-323	Y
13.9	Pilot Assembly, NG		2281-012	Y
13.10	Module		2166-307	Y
13.11	Aux 300		2166-335	Y
13.12	Led Controller		2166-336	Y
	Orifice NG (#30C)		582-830	Y
	Orifice LP (#47C)		582-847	Y

**Fuse for battery pack can be sourced locally, not a warranty item. Specs are 250v, 1A fuse, 3/4" long

No one builds a better fire

Beginning Manufacturing Date: May 2012

Ending Manufacturing Date: Active



IMPORTANT: THIS IS DATED INFORMATION. Parts must be ordered from a dealer or distributor. **Hearth and Home Technologies does not sell directly to consumers.** Provide model number and serial number when requesting service parts from your dealer or distributor.



Stocked at Depot

ITEM	DESCRIPTION	COMMENTS	PART NUMBER	
	Refractory, Stratford	TRUE-36S		
21.1	Refractory, Top		SRV2280-716	
21.2	Refractory, Left		SRV2280-713	
21.3	Refractory, Left Base		SRV2280-718	
21.4	Refractory, Left Base		SRV2280-711	
21.5	Refractory, Front Base		SRV2280-710	
21.6	Refractory, Right Base		SRV2280-712	
21.7	Refractory, Right		SRV2280-714	
21.8	Refractory, Back		SRV2280-715	
	Refractory, Herringbone	TRUE-36H		
22.1	Refractory, Top		SRV2280-726	
22.2	Refractory, Left		SRV2280-723	
22.3	Refractory, Left Base		SRV2280-728	
22.4	Refractory, Left Base		SRV2280-721	
22.5	Refractory, Front Base		SRV2280-720	
22.6	Refractory, Right Base		SRV2280-722	
22.7	Refractory, Right		SRV2280-724	
22.8	Refractory, Back		SRV2280-725	
	Refractory, Castlewood	TRUE-36C		
23.1	Refractory, Top		SRV2280-736	
23.2	Refractory, Left		SRV2280-733	
23.3	Refractory, Left Base		SRV2280-738	
23.4	Refractory, Left Base		SRV2280-731	
23.5	Refractory, Front Base		SRV2280-730	
23.6	Refractory, Right Base		SRV2280-732	
23.7	Refractory, Right		SRV2280-734	
23.8	Refractory, Back		SRV2280-735	

Additional service parts on following page.



No one builds a better fire

Service Parts

TRUE-36S, TRUE-36H, TRUE-36C

Beginning Manufacturing Date: May 2012

Ending Manufacturing Date: Active

IMPORTANT: THIS IS DATED INFORMATION. Parts must be ordered from a dealer or distributor. **Hearth and Home Technologies does not sell directly to consumers.** Provide model number and serial number when requesting service parts from your dealer or distributor.



Stocked at Depot

ITEM	DESCRIPTION	COMMENTS	PART NUMBER	Stocked at Depot
	Air Shutter Burner Tube		2052-157	
	Exhaust Restrictor		530-299	
	Gasket Assembly		2281-080	
	Glass Clip Tool		2281-375	
	Glass Latch Assembly	Qty 2 req	2146-413	Y
	Glass Latch Assembly	Qty 3 req	2155-045	Y
	Kapton Lens, Dark Orange	Qty 6 req	2166-184	Y
	Kapton Lens, Light Orange	Qty 2 req	2166-171	Y
	Mineral Wool		050-721	
	Non-Comb Assembly		2280-040	
	Nut 1/4-20 Hex Insert		7000-236	
	Refractory Tab	Qty 2 req	2281-114	
	Relief Door Assembly		7011-011	
	Remote RC300		2166-330	Y
	Screws	2 Pkgs of 12	2062-110-12/2	Y
	Teco Silica, 2.5 Lbs		2281-790	
	Teco Silica, 5 Lbs		700-790	
	Top Refractory Support		2281-190	
	Vermiculite Embers		MYSTIC-EMBERS	
	Touch Up Paint, Logs	Black	SRV999-404	
		Brown	SRV999-403	
		Split	SRV999-472	
	Conversion Kit NG		NGK-TRUE36	Y
	Conversion Kit LP		LPK-TRUE36	Y
	Pilot Orifice NG		593-528	Y
	Pilot Orifice LP		593-527	Y
	Regulator NG		NGK-DXV-50	Y
	Regulator LP		LPK-DXV-50	Y