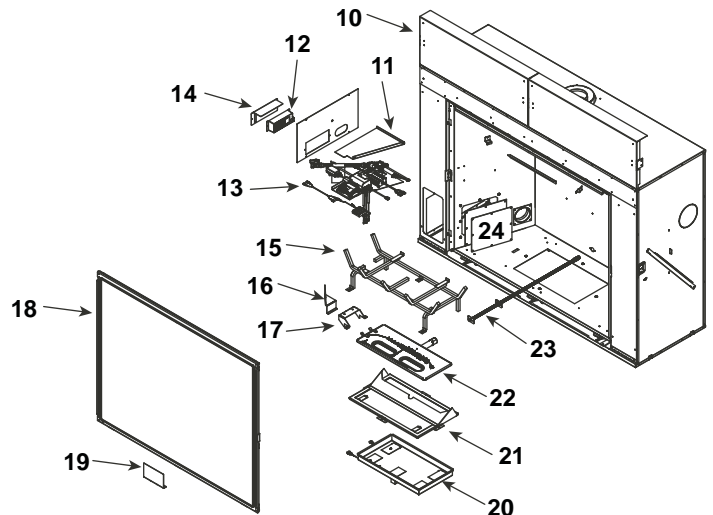


Log Set Assembly



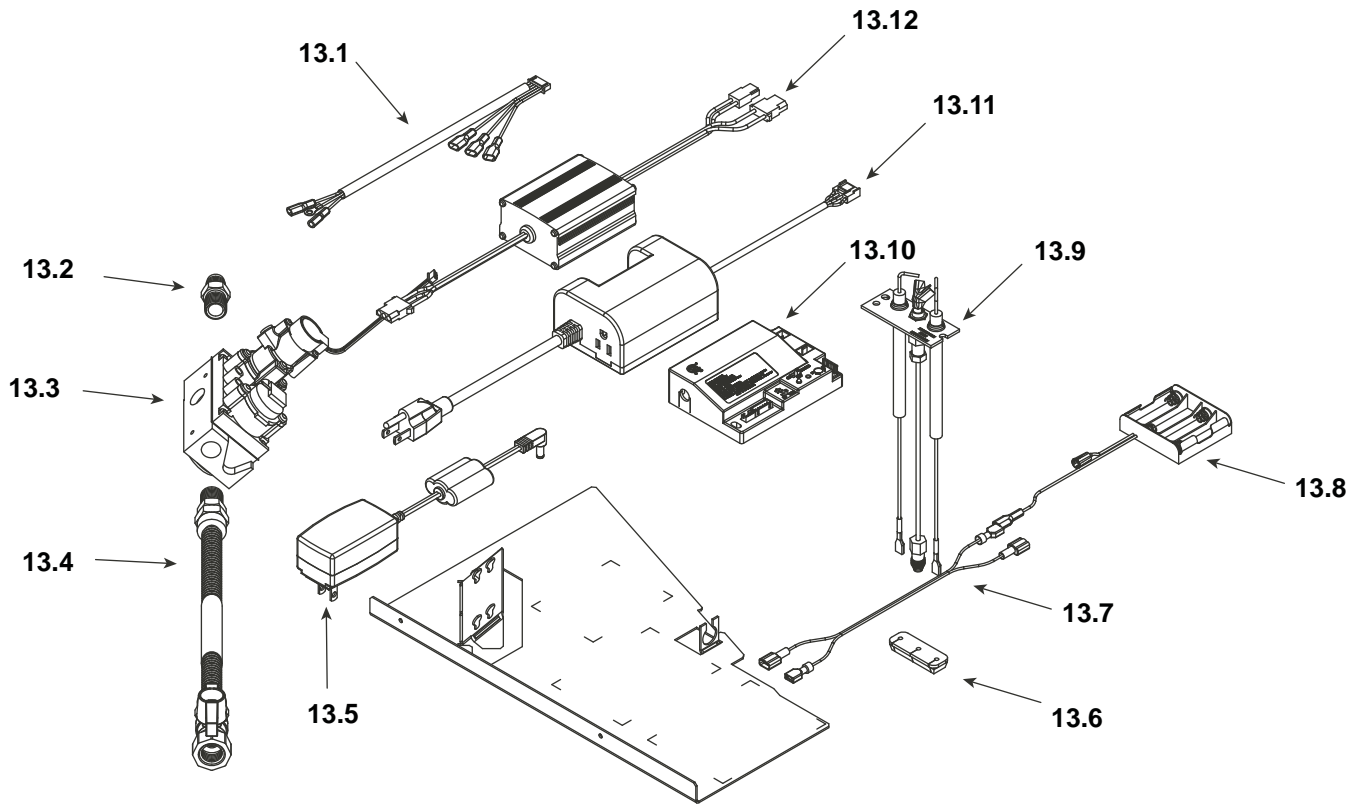
IMPORTANT: THIS IS DATED INFORMATION. Parts must be ordered from a dealer or distributor. **Hearth and Home Technologies does not sell directly to consumers.** Provide model number and serial number when requesting service parts from your dealer or distributor.



Stocked at Depot

ITEM	DESCRIPTION	COMMENTS	PART NUMBER	
	Log Assembly		LOGS-TRUE50	Y
1	Log 1		SRV2282-701	
2	Log 2		SRV2282-702	
3	Log 3		SRV2282-703	
4	Log 4		SRV2282-704	
5	Log 5		SRV2281-705	
6	Log 6		SRV2282-706	
7	Log 7		SRV2281-707	
8	Log 8		SRV2281-708	
9	Log 9 (Not shown)		SRV2170-725	
10	Heat Shield, Header	Qty 2 req	2282-105	
11	Heat Shield, Valve		2281-153	
12	Junction box		4021-013	Y
13	Valve Assembly		Refer to Valve Page	
14	J-Box Bracket		2281-154	
15	Grate Assembly		2282-015	
16	Air Deflector		2281-159	
17	Pilot Cover		2282-187	
18	Glass Assembly		GLA-2282	
19	Finishing Spacer		2281-113	
20	LED Tub Assembly		2282-017	Y
21	Inner Glass Frame Assembly		2282-019	Y
22	Burner Assembly NG		2282-007	Y
	Burner Assembly LP		2282-008	Y
23	Orifice Bracket Flex		2282-161	Y
24	Access Plate		2281-117	

#13 Valve Assembly



IMPORTANT: THIS IS DATED INFORMATION. Parts must be ordered from a dealer or distributor. **Hearth and Home Technologies does not sell directly to consumers.** Provide model number and serial number when requesting service parts from your dealer or distributor.



Stocked at Depot

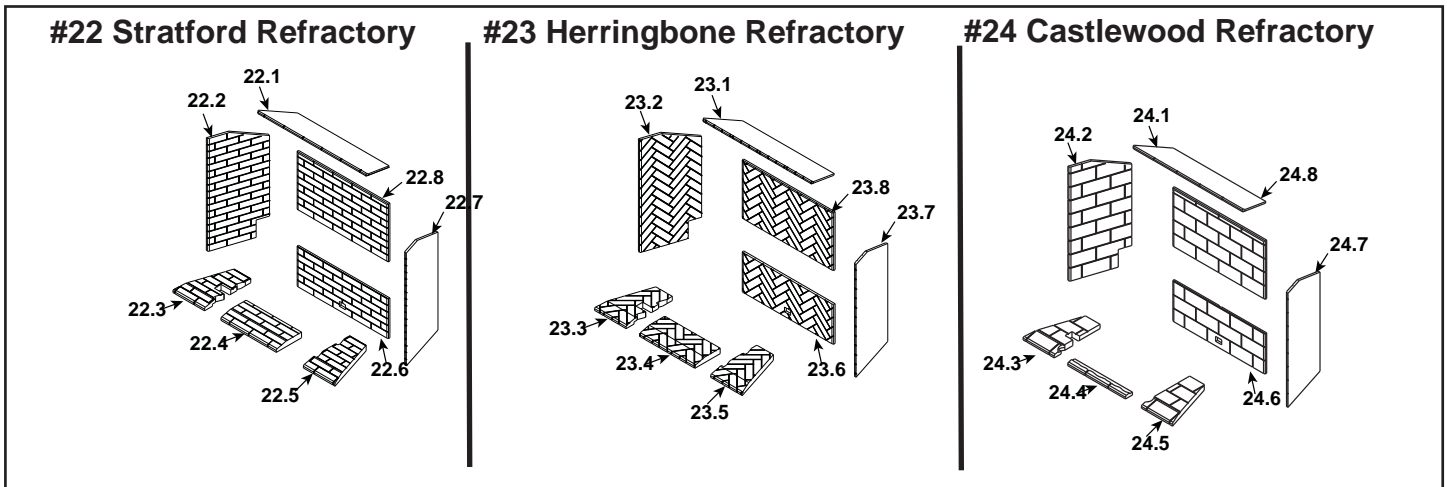
ITEM	DESCRIPTION	COMMENTS	PART NUMBER	Stocked at Depot
13.1	Wire Harness		2166-304	Y
13.2	Male connector	Pkg of 5	303-315/5	Y
13.3	Valve NG		2166-302	Y
	Valve LP		2166-303	Y
13.4	Flex Ball Valve Assembly. 12"		302-320A	Y
13.5	Power Supply		2326-131	Y
13.6	Grommet		2118-420	
13.7	Wire, Battery jumps, 10 in		2281-196	Y
13.8	**Battery Pack		2166-323	Y
13.9	Pilot Assembly, NG		2281-012	Y
13.10	Module		2166-307	Y
13.11	Aux 300		2166-335	Y
13.12	Led Controller		2166-336	Y
	Orifice NG (#24C)		582-824	Y
	Orifice LP (#43C)		582-843	Y

**Fuse for battery pack can be sourced locally, not a warranty item. Specs are 250v, 1A fuse, 3/4" long

No one builds a better fire

Beginning Manufacturing Date: June 2012

Ending Manufacturing Date: Active



IMPORTANT: THIS IS DATED INFORMATION. Parts must be ordered from a dealer or distributor. **Hearth and Home Technologies does not sell directly to consumers.** Provide model number and serial number when requesting service parts from your dealer or distributor.



Stocked at Depot

ITEM	DESCRIPTION	COMMENTS	PART NUMBER	
	Refractory, Stratford	TRUE-50S		
22.1	Refractory, Top		SRV2282-716	
22.2	Refractory, Left		SRV2282-713	
22.3	Refractory, Left Base		SRV2282-711	
22.4	Refractory, Front Base		SRV2282-710	
22.5	Refractory, Right Base		SRV2282-712	
22.6	Refractory, Back Bottom		SRV2282-715	
22.7	Refractory, Right		SRV2282-714	
22.8	Refractory, Back		SRV2282-717	
	Refractory, Herringbone	TRUE-50H		
23.1	Refractory, Top		SRV2282-726	
23.2	Refractory, Left		SRV2282-723	
23.3	Refractory, Left Base		SRV2282-721	
23.4	Refractory, Front Base		SRV2282-720	
23.5	Refractory, Right Base		SRV2282-722	
23.6	Refractory, Back Bottom		SRV2282-725	
23.7	Refractory, Right		SRV2282-724	
23.8	Refractory, Back		SRV2282-727	
	Refractory, Castlewood	TRUE-50C		
24.1	Refractory, Top		SRV2282-736	
24.2	Refractory, Left		SRV2282-733	
24.3	Refractory, Left Base		SRV2282-731	
24.4	Refractory, Front Base		SRV2282-730	
24.5	Refractory, Right Base		SRV2282-732	
24.6	Refractory, Back Bottom		SRV2282-735	
24.7	Refractory, Right		SRV2282-734	
24.8	Refractory, Back		SRV2282-737	

Additional service parts on following page.



Service Parts

TRUE-50S, TRUE-50H, TRUE-50C

No one builds a better fire

Beginning Manufacturing Date: June 2012

Ending Manufacturing Date: Active

IMPORTANT: THIS IS DATED INFORMATION. Parts must be ordered from a dealer or distributor. **Hearth and Home Technologies does not sell directly to consumers.** Provide model number and serial number when requesting service parts from your dealer or distributor.



Stocked at Depot

ITEM	DESCRIPTION	COMMENTS	PART NUMBER	Stocked at Depot
	Air Shutter Burner Tube		2052-157	
	Exhaust Restrictor		530-299	
	Gasket Assembly		2281-080	
	Glass Clip Tool		2281-375	
	Glass Latch Assembly	Qty 2 req	2146-413	Y
	Glass Latch Assembly	Qty 4 req	2155-045	Y
	Kapton Lens, Dark Orange	Qty 3 req	2166-184	Y
	Kapton Lens, Light Orange	Qty 2 req	2166-171	Y
	Mineral Wool		050-721	
	Non-Comb Assembly		2282-040	
	Nut 1/4-20 Hex Insert		7000-236	
	Refractory Tab	Qty 2 req	2281-114	
	Relief Door Assembly		7011-011	
	Remote RC300		2166-330	Y
	Screws	2 Pkgs of 12	2062-110-12/2	Y
	Teco Silica, 2.5 Lbs		2281-790	
	Teco Silica, 5 Lbs	Qty 2 req	700-790	
	Top Refractory Support		2281-190	
	Vermiculite Embers		MYSTIC-EMBERS	
	Touch Up Paint, Logs	Black	SRV999-404	
		Brown	SRV999-403	
		Split	SRV999-472	
	Conversion Kit NG		NGK-TRUE50	Y
	Conversion Kit LP		LPK-TRUE50	Y
	Pilot Orifice NG		593-528	Y
	Pilot Orifice LP		593-527	Y
	Regulator NG		NGK-DXV-50	Y
	Regulator LP		LPK-DXV-50	Y