

**IMPORTANT: THIS IS DATED INFORMATION.** Parts must be ordered from a dealer or distributor. **Hearth and Home Technologies does not sell directly to consumers.** Provide model number and serial number when requesting service parts from your dealer or distributor.



**Stocked at Depot**

ITEM	DESCRIPTION	COMMENTS	PART NUMBER	
1	Termination Plate Assembly	Pre 0023696931	2206-012	
		Post 0023696931	2206-013	
	Flex Pipe Handle		438-351	
	Gasket	Pre 0023696931	2206-401	
		Post 0023696931	2206-178	
2	Burner Assembly		2203-007	Y
3	Burner Leg		2203-103	
4	Base Pan		2239-100	
5	Valve Assembly		<b>Refer to valve page</b>	
6	Glass Door Assembly		GLA-2206	Y
7	Rheostat Knob		100-512	Y
8	Control Panel		2205-129	
9	On/Off Rheostat		2206-800	Y
10	Blower		GFK-210-C	
11	Wire Assembly		2206-068	Y
12	Power cord Assembly		2201-017	Y
	Fuse Wire Assembly	Qty 2 req	2206-085	Y

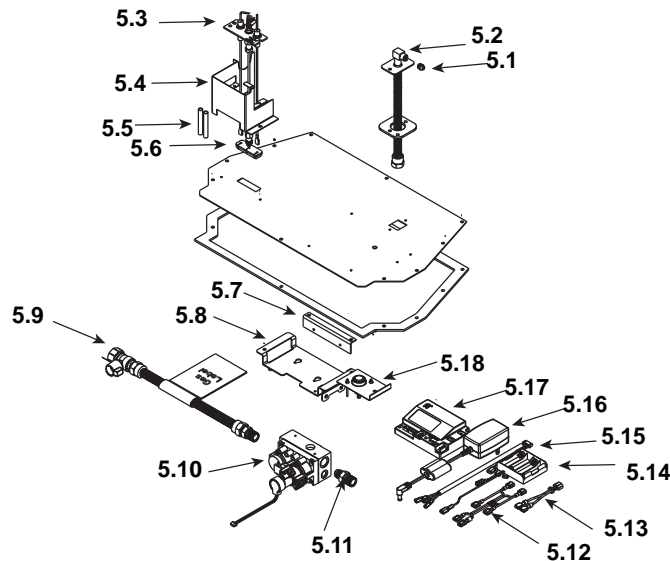
Additional service part numbers appear on following page.

No one builds a better fire

Beginning Manufacturing Date: Aug 2011

Ending Manufacturing Date: Active

### #5 Valve Assembly



IMPORTANT: THIS IS DATED INFORMATION. When requesting service or replacement parts for your appliance please provide model number and serial number. All parts listed in this manual may be ordered from an authorized dealer.



**Stocked  
at Depot**

ITEM	DESCRIPTION	COMMENTS	PART NUMBER	
5.1	Orifice NG (#42C)		582-842	Y
	Orifice LP (#54C)		582-854	Y
5.2	Flexible Gas Connector		7000-156	Y
5.3	Pilot Assembly NG		2090-012	Y
	Pilot Assembly LP		2090-013	Y
5.4	Pilot Bracket		2239-112	
5.5	Pilot Sleeves		2206-151	
5.6	Grommet		2118-420	
5.7	Control Panel Bracket		2205-128	
5.8	Valve Bracket		2205-146	
5.9	Flex Ball Valve Assembly		302-320A	Y
5.10	Valve NG		2166-302	Y
	Valve LP		2166-303	Y
5.11	Brass Connector	PKG of 5	303-315/5	Y
5.12	Remote Wire Assembly		2103-013	Y
5.13	Jumper wire		2187-198	Y
5.14	**Battery Pack		2166-323	Y
5.15	Wire Assembly		2166-304	Y
5.16	Transformer		2326-131	Y
5.17	Control Module		2166-307	Y
5.17	Temp Sensor Switch		046-018A	Y

\*\*Fuse for battery pack can be sourced locally, not a warranty item. Specs are 250v, 1A fuse, 3/4" long

Additional service part numbers appear on following page.



Service Parts

COSMO-I30-C

No one builds a better fire

Beginning Manufacturing Date: Aug 2011
Ending Manufacturing Date: Active

IMPORTANT: THIS IS DATED INFORMATION. Parts must be ordered from a dealer or distributor. Hearth and Home Technologies does not sell directly to consumers. Provide model number and serial number when requesting service parts from your dealer or distributor.



Stocked at Depot

Table with 5 columns: ITEM, DESCRIPTION, COMMENTS, PART NUMBER, and Stocked at Depot. Rows include Gasket Assembly, Gems, Black, Glass Latch Assembly, Glass Refractory, Rheostat/Temp Sensor Assembly, Touch Up Paint, Conversion Kit NG, Conversion Kit LP, Pilot Orifice NG, Pilot Orifice LP, Regulator NG, and Regulator LP.