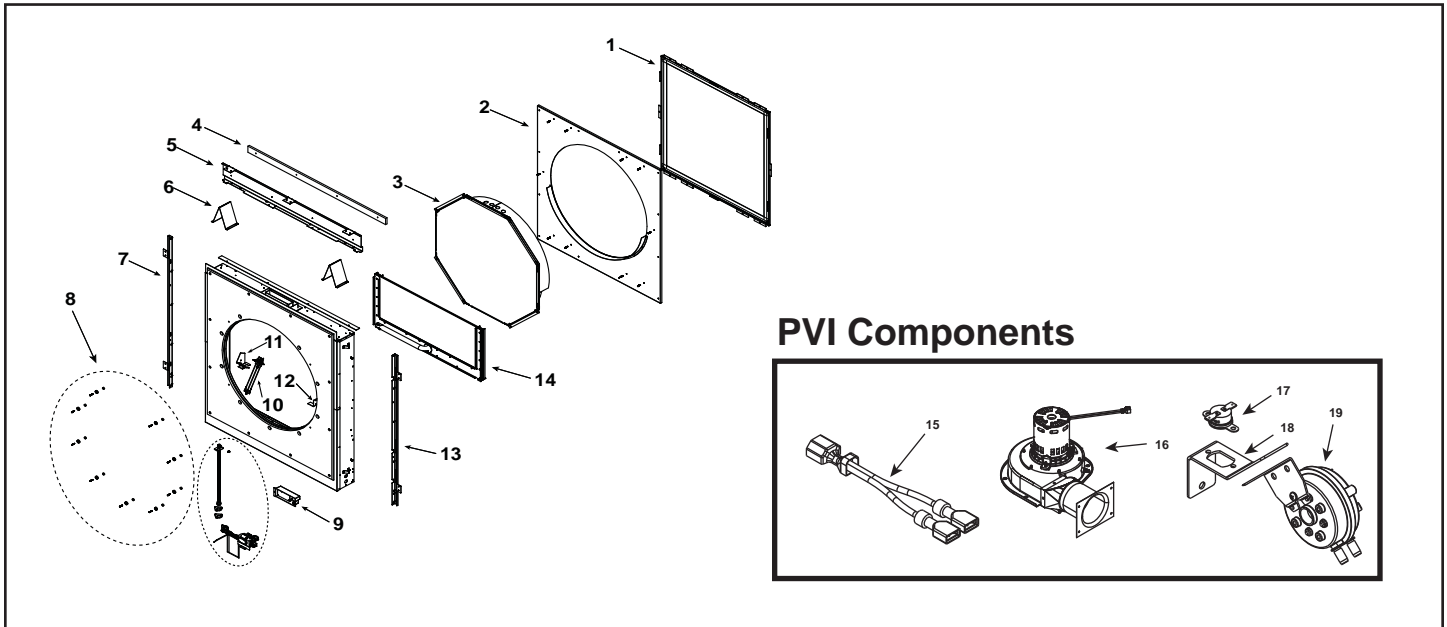


No one builds a better fire

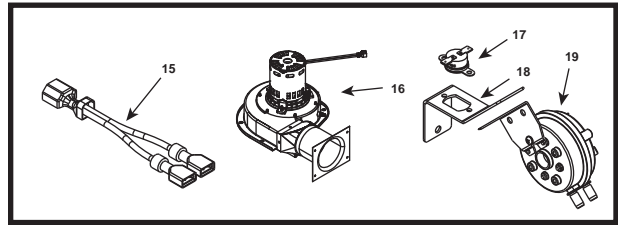
36" Mirrored Fireplace

Beginning Manufacturing Date: June 2010

Ending Manufacturing Date: Active



PVI Components



IMPORTANT: THIS IS DATED INFORMATION. Parts must be ordered from a dealer or distributor. **Hearth and Home Technologies does not sell directly to consumers.** Provide model number and serial number when requesting service parts from your dealer or distributor.



**Stocked
at Depot**

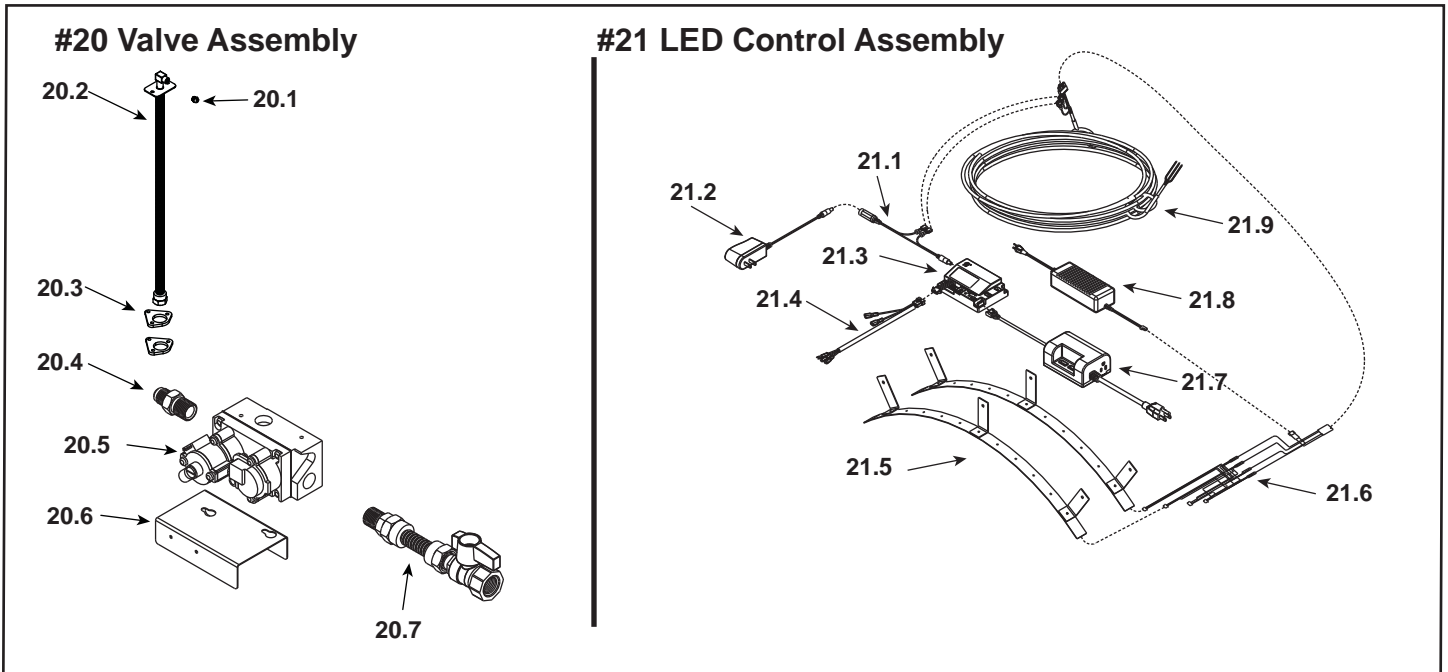
ITEM	DESCRIPTION	COMMENTS	PART NUMBER	
1	Glass Door Assembly, (Mirrored)	Square	SRV2179-017	Y
2	Panel, Back		2179-015	
3	Glass Door Assembly, (Mirrored)	Octagon	SRV2179-018	Y
4	Non-Combustible Board		2179-151	
5	Bracket, Non-Combustible Board		2179-130	
6	Standoff	Qty 2 req	2179-129	
7	Nailing Tab, Right		2179-137	
8	Hardware Pack		HDWE-SOLARIS	Y
9	Junction Box		4021-013	Y
10	Pilot Assembly NG		2146-020	Y
	Pilot Assembly LP		2146-021	Y
11	Bracket, Pilot		2179-128	
12	Bracket, Valve		2179-132	
13	Nailing Tab, Left		2179-136	
14	Burner NG, LP		SRV2179-010	Y
15	Wire Assembly		2187-198	Y
16	PVI blower		2196-025	
17	Temp Sensor		2199-310	Y
18	Bracket, Temp Sensor		2196-115	
19	Pressure Switch		2196-326	Y
	Cover Plate, Dual Wall Switch		2155-511	
	Jumper Wires		2155-033	Y
	On/Off Wall Switch, 3 Place		2155-204	Y
	Wall Switch		WSK-21-W	

Additional service part numbers appear on following page.

No one builds a better fire

Beginning Manufacturing Date: June 2010

Ending Manufacturing Date: Active



IMPORTANT: THIS IS DATED INFORMATION. Parts must be ordered from a dealer or distributor. **Hearth and Home Technologies does not sell directly to consumers.** Provide model number and serial number when requesting service parts from your dealer or distributor.



Stocked at Depot

ITEM	DESCRIPTION	COMMENTS	PART NUMBER	
20.1	Orifice NG (#38C)		582-838	Y
	Orifice LP (#52C)		582-852	Y
20.2	Flexible Gas Connector		530-302A	Y
20.3	Spacer	Pkg of 2	2179-131/2	Y
20.4	Male connector	Pkg of 5	303-315/5	Y
20.5	Valve NG		593-500	Y
	Valve LP		593-501	Y
20.6	Valve Bracket		2179-122	
20.7	Flex Ball Valve Assembly		492-320A	Y
21.1	Wire, Wall Switch Jumper		2179-300	Y
21.2	Regulator, DC		2326-131	Y
21.3	Module 8k1-PV1		2196-150	Y
21.4	Wire Harness		2196-200	Y
21.5	Led Strip Assembly	Qty 2 req	2179-036	Y
21.6	Wire, 4 lead Jumper		2155-752	Y
21.7	RCAux 300		2166-335	Y
21.8	Power Supply, 12 Volt		2159-751	Y
21.9	LED Control Cable		2155-755	Y
	Conversion Kit NG		NGK-SOL36	Y
	Conversion Kit LP		LPK-SOL36	Y
	Pilot Orifice NG		593-528	Y
	Pilot Orifice LP		593-527	Y
	Regulator NG		NGK-DXF	Y
	Regulator LP		LPK-DXF	Y