

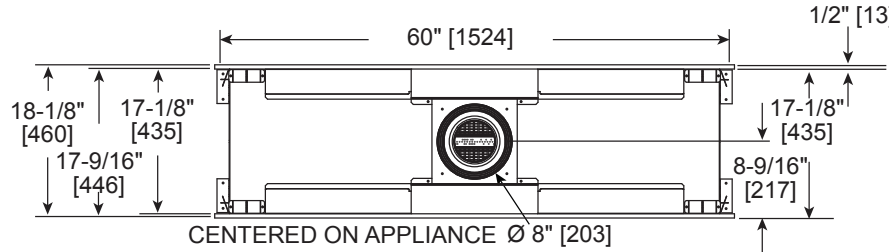


Please consult the manufacturer's installation manual for all details and requirements before making a final design layout decision.

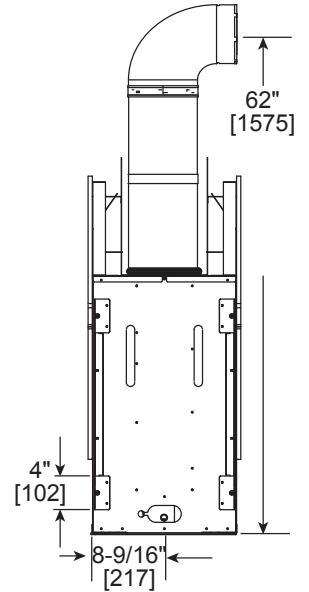
MEZZO48ST
See-Through Direct Vent
Gas Fireplace

MODEL	FRONT WIDTH		BACK WIDTH		HEIGHT		DEPTH		GLASS SIZE
	Actual	Framing	Actual	Framing	Actual	Framing	Actual	Framing	
MEZZO48ST	62	60-1/4	62	60-1/4	42-1/2	42	18-1/8	17-1/4	47-1/2 x 12-1/2

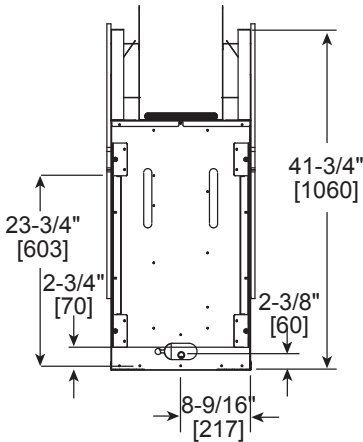
Unit



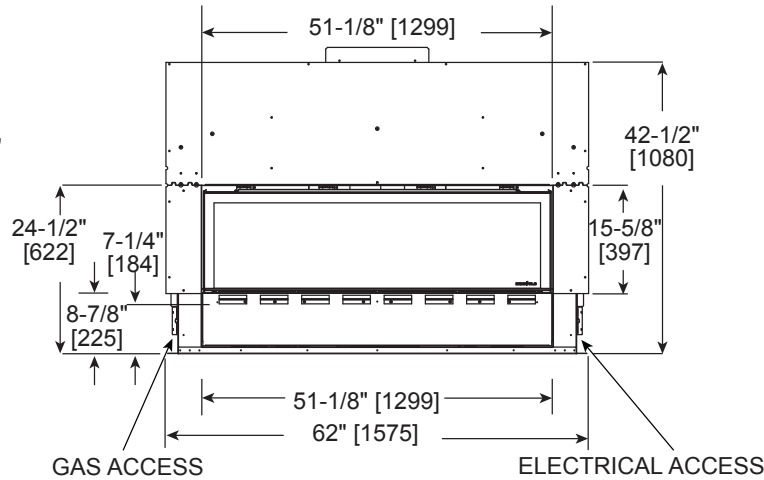
Top



Right

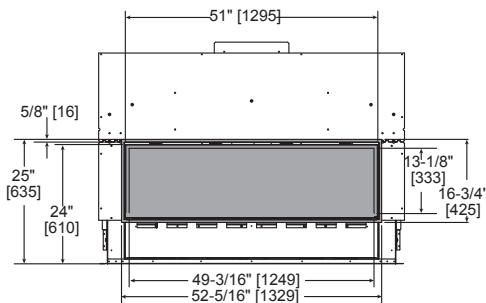


Left

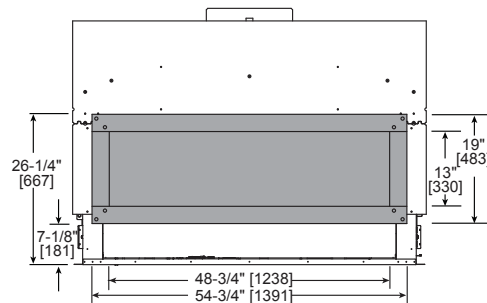


Front

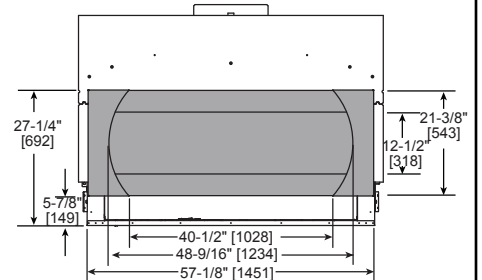
Decorative Fronts



Clean Face Trim

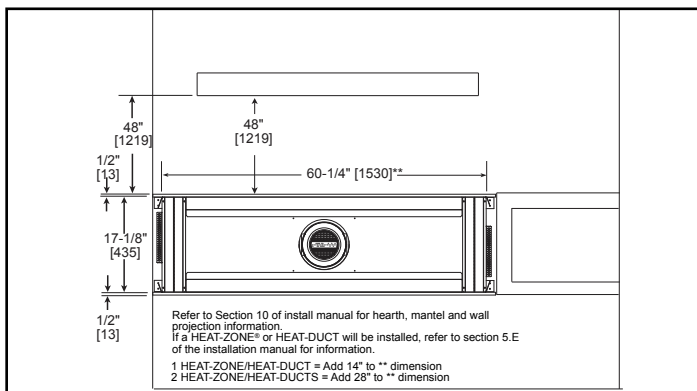


Loft Forge Front

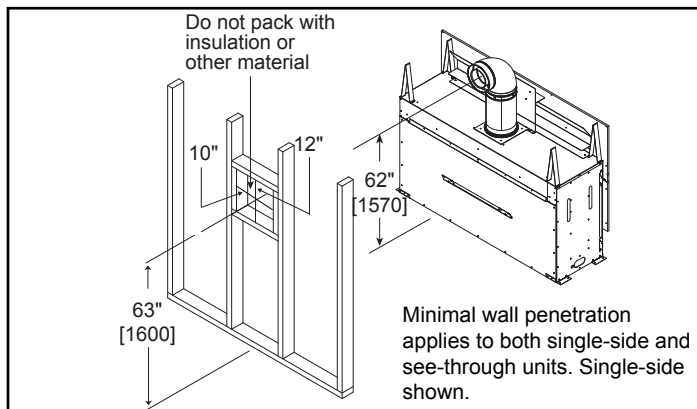


Quattro Front

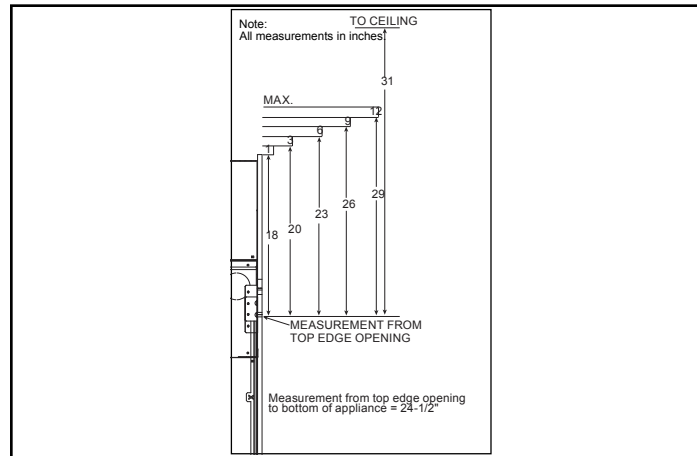
APPLIANCE LOCATION



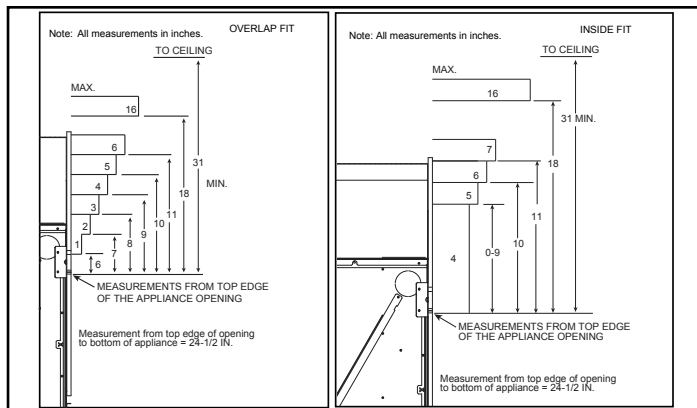
WALL PENETRATION



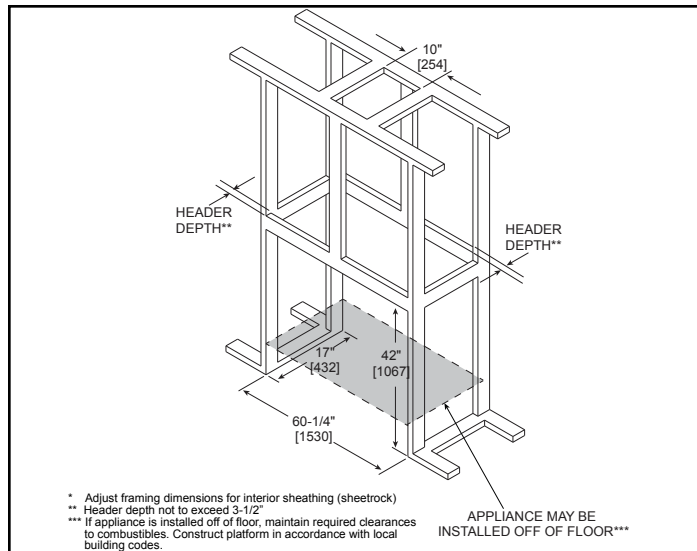
MANTEL PROJECTIONS - COMBUSTIBLE



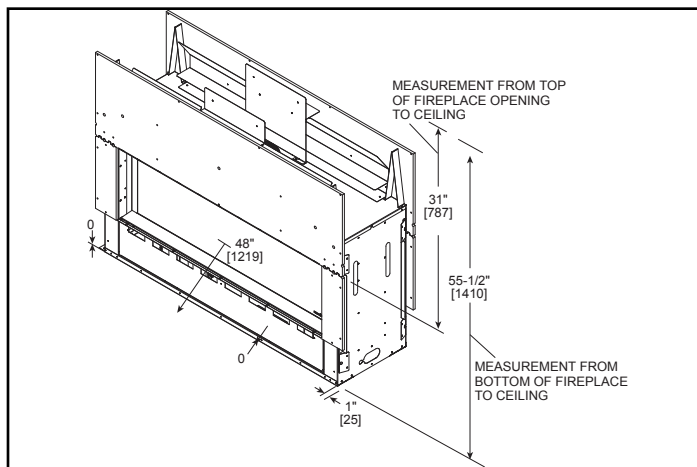
MANTEL PROJECTIONS - NON-COMBUSTIBLE



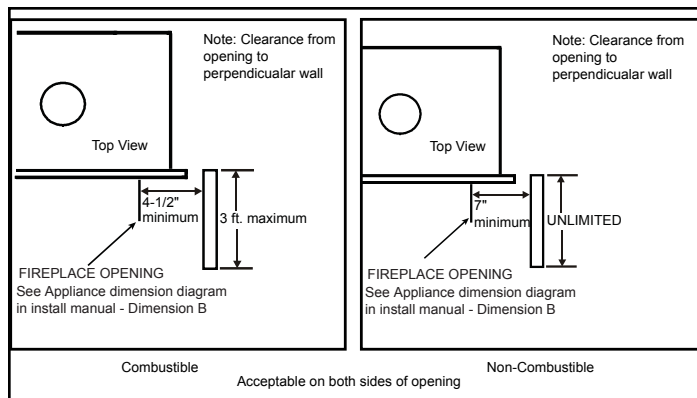
FRAMING DIMENSION



CLEARANCES TO COMBUSTIBLES



MANTEL LEG/WALL PROJECTIONS



PRODUCT LISTING CODES	
US	ANSI Z21.88-2014
CAN	CSA 2.33-2014
	UL307B

Product information provided is not complete and is subject to change without notice. Product installation must adhere strictly to instructions accompanying product to avoid risk of fire and potential injury.

Additional information can be found online at www.heatnglo.com