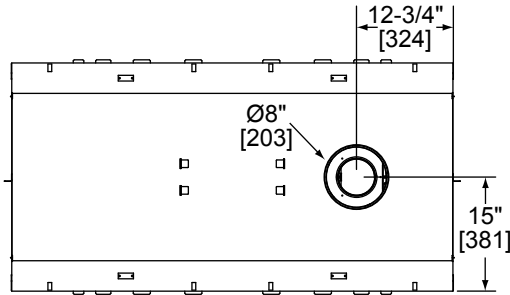




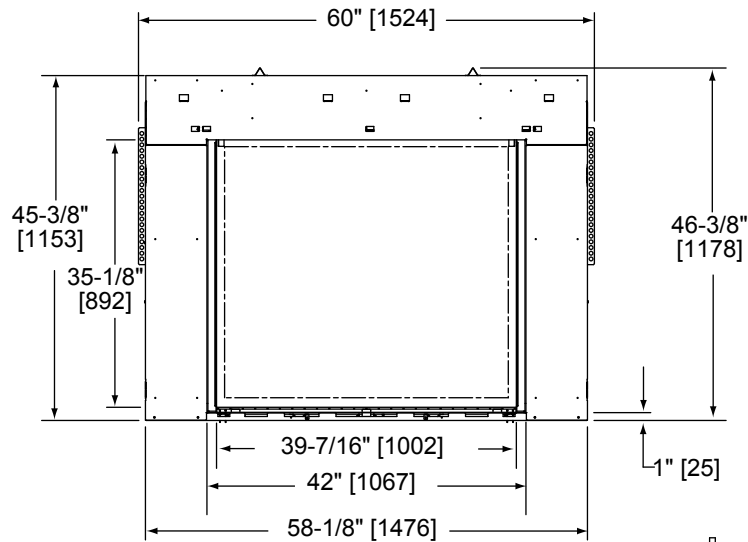
Please consult the manufacturer's installation manual for all details and requirements before making a final design layout decision.

Escape See-Through
Direct Vent Gas Fireplace

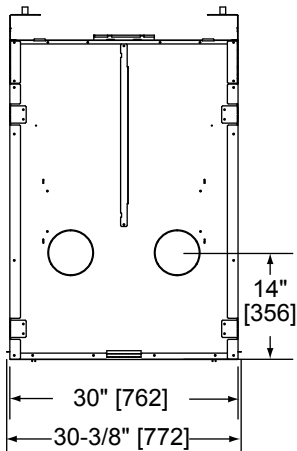
| MODEL | FRONT WIDTH | | BACK WIDTH | | HEIGHT | | DEPTH | | VIEWING AREA |
|----------|-------------|---------|------------|---------|--------|---------|--------|---------|------------------|
| | Actual | Framing | Actual | Framing | Actual | Framing | Actual | Framing | |
| ESC-42ST | 60 | 60-1/4 | 60 | 60-1/4 | 46-3/8 | 46-1/2 | 30 | 30 | 39-7/16 x 35-1/8 |



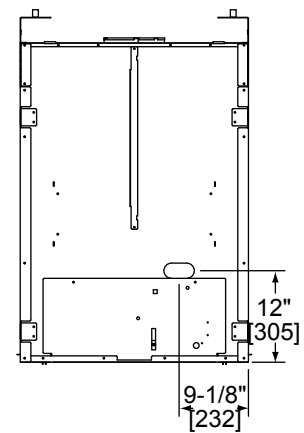
Top View



Front View



Left Side View

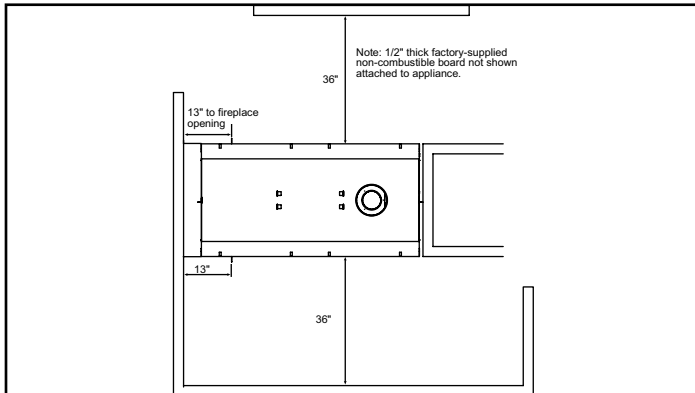


Right Side View

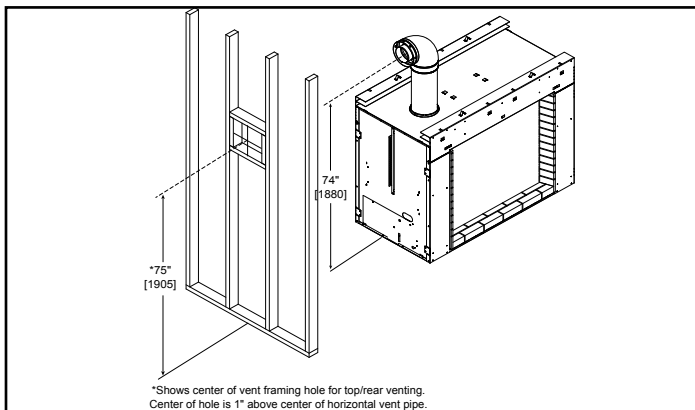
MINIMUM FIREPLACE CLEARANCES

| AREA | TO COMBUSTIBLES (in inches) |
|----------------------------|-----------------------------|
| CLEARANCE TO CEILING | 43 from opening |
| COMBUSTIBLE FLOOR/FLOORING | 0/See Diagram |
| SIDES OF APPLIANCE | 1 |
| FRONT OF APPLIANCE | 36 |

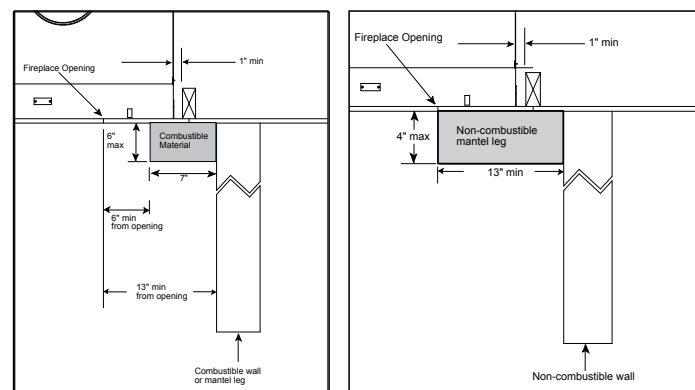
FIREPLACE LOCATIONS



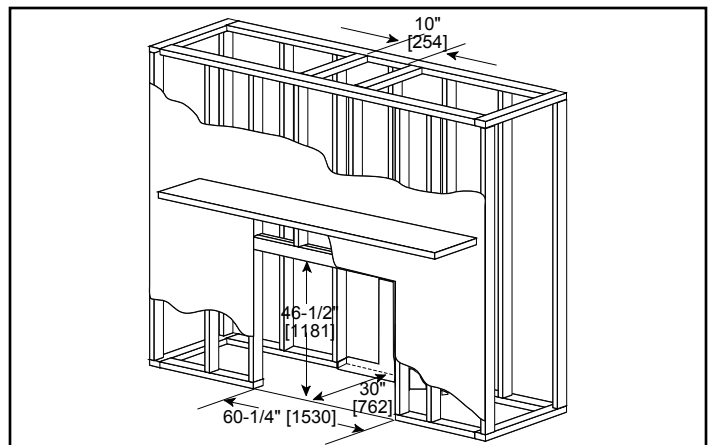
WALL PENETRATION



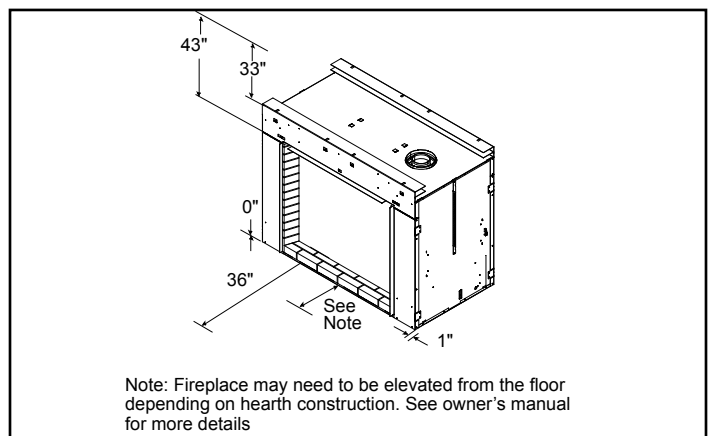
MANTEL LEG/WALL PROJECTIONS



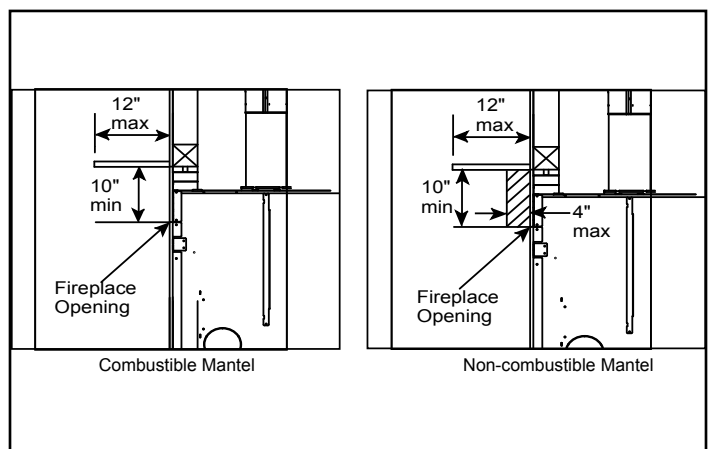
FRAMING DIMENSIONS



CLEARANCES TO COMBUSTIBLES



MANTEL PROJECTIONS



| PRODUCT LISTING CODES | |
|-----------------------|-------------------|
| US | ANSI Z21.88a-2007 |
| CAN | CSA 2.33a-2007 |
| | UL307B |

Product information provided is not complete and is subject to change without notice. Product installation must adhere strictly to instructions accompanying product to avoid risk of fire and potential injury.

Additional information can be found online at www.heatnglo.com