

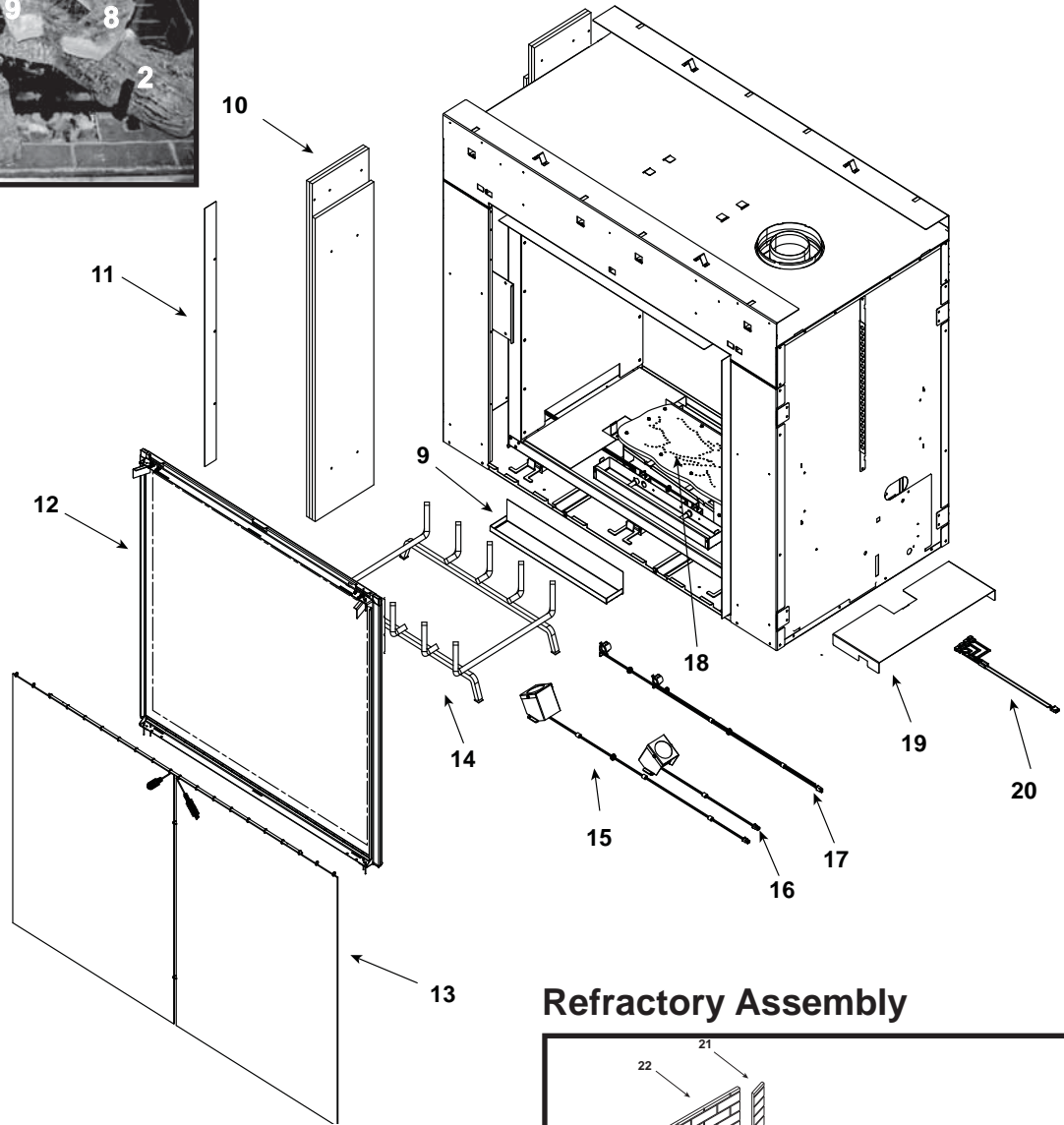
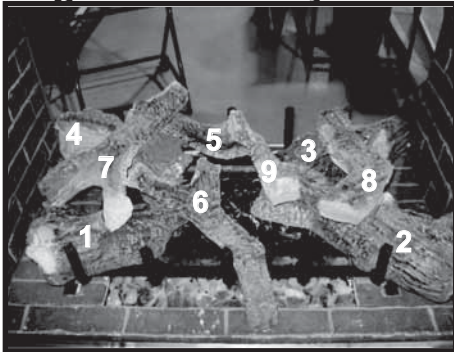
No one builds a better fire

42" See-thru Gas Fireplace - DV

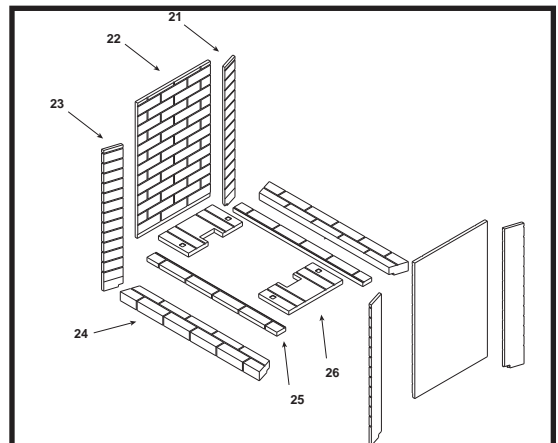
Beginning Manufacturing Date: Dec 2008

Ending Manufacturing Date: Active

Log Set Assembly



Refractory Assembly



Part number list on following page.

No one builds a better fire

Beginning Manufacturing Date: Dec 2008

Ending Manufacturing Date: Active

IMPORTANT: THIS IS DATED INFORMATION. Parts must be ordered from a dealer or distributor. **Hearth and Home Technologies does not sell directly to consumers.** Provide model number and serial number when requesting service parts from your dealer or distributor.



**Stocked
at Depot**

ITEM	DESCRIPTION	COMMENTS	PART NUMBER	
	Log Set Assembly		LOGS-ESC42ST	Y
1	Log 1		SRV2146-701	
2	Log 2		SRV2146-702	
3	Log 3		SRV2146-703	
4	Log 4		SRV2146-704	
5	Log 5		SRV2146-705	
6	Log 6		SRV2146-706	
7	Log 7		SRV2146-707	
8	Log 8		SRV2146-708	
9	Light Box Mesh Assembly	Qty 2 req	2146-016	
10	Non-combustible Board	Qty 2 req	2146-051	
11	Finishing Strips	Qty 6 req	2146-129	
12	Glass Door Assembly	Qty 2 req	GLA-ESC42ST	Y
13	Mesh Assembly	Qty 2 req	2146-031	Y
14	Log Grate		2146-015	
15	Light Assembly Accent	35"	2146-013	
16	Light Assembly Accent	17"	2146-014	
17	Light Assembly, Ember		2146-404	
18	Burner		2146-007	Y
19	Refractory Support	Qty 2 req	2146-152	
20	Light Wire Connectors		2146-407	
21	Refractory Panel- Outside Right	Qty 2 req	SRV2146-314	
22	Refractory Panel- Inside Side	Qty 2 req	SRV2146-311	
23	Refractory Panel - Outside Left	Qty 2 req	SRV2146-315	
24	Refractory Panel-Outside Bottom	Qty 2 req	SRV2146-316	
25	Refractory Panel-Inside Front	Qty 2 req	SRV2146-312	
26	Refractory Panel-Inside Middle	Qty 2 req	SRV2146-313	
	Bulb, Halogen, Accent		2088-136	Y
	Bulb, Halogen, Ember		2146-540	Y
	Access Plate, Junction Box		2146-169	
	Fiberglass Rope		060-455	
	Flue Restrictor		2146-158	
	Mineral Wool		050-721	
	Teco-Sil, 5lb. Bag White Ember Bed Rock		700-790	
	Touch Up Paint		TUP-GBK-12	
	Twig Center		SRV582-707	
	Vermiculite Embers		MYSTIC-EMBERS	

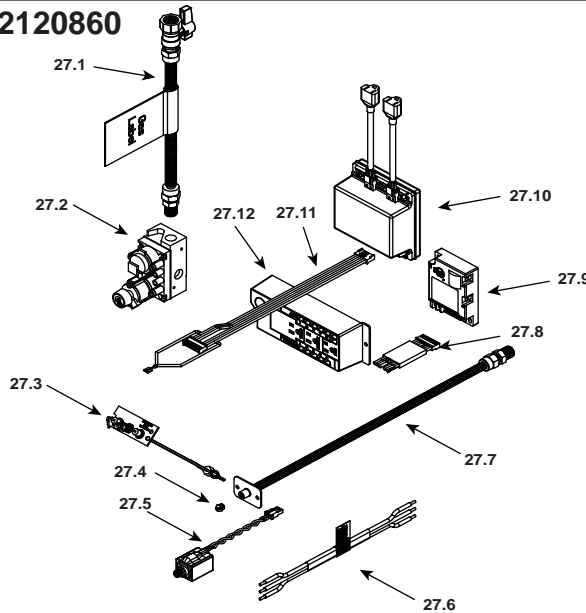
Additional service part numbers appear on following page.

No one builds a better fire

Beginning Manufacturing Date: Dec 2008

Ending Manufacturing Date: Active

#27 Valve Assembly Pre SN 0022120860



IMPORTANT: THIS IS DATED INFORMATION. Parts must be ordered from a dealer or distributor. **Hearth and Home Technologies does not sell directly to consumers.** Provide model number and serial number when requesting service parts from your dealer or distributor.



**Stocked
at Depot**

ITEM	DESCRIPTION	COMMENTS	PART NUMBER	
27.1	Flex Ball Valve Assembly		302-320A	Y
27.2	Valve NG	Pre 0022120860	750-500	Y
	Valve LP	Pre 0022120860	750-501	Y
27.3	Pilot Assembly NG		2146-020	Y
	Pilot Assembly LP		2146-021	Y
27.4	Burner Orifice (#24C) NG		582-824	Y
	Burner Orifice (#44C) LP		582-844	Y
27.5	Solenoid	No longer available	2101-029	
27.6	Wire, Wall Switch	Pre 0022120860	2095-550	Y
27.7	Flexible Gas Connector		2005-009	Y
27.8	Wire Assembly	Pre 0022120860	593-590A	Y
27.9	Module		593-592	Y
27.10	Remote	No longer available	2101-025	
27.11	Cable Assembly	No longer available	2101-027	
27.12	Junction Box		4021-013	Y
	Wall Control Assembly Upgrade	Pre 0022120860	WSK-MLT-GLX	Y
	Conversion Kit NG	Pre 0022120860	NGK-ESC42ST	Y
	Conversion Kit LP	Pre 0022120860	LPK-ESC42ST	Y
	Pilot Orifice (NG)		593-528	Y
	Pilot Orifice (LP)		593-527	Y
	Regulator (NG)	Pre 0022120860	NGK-DXV	Y
	Regulator (LP)	Pre 0022120860	LPK-DXV	Y

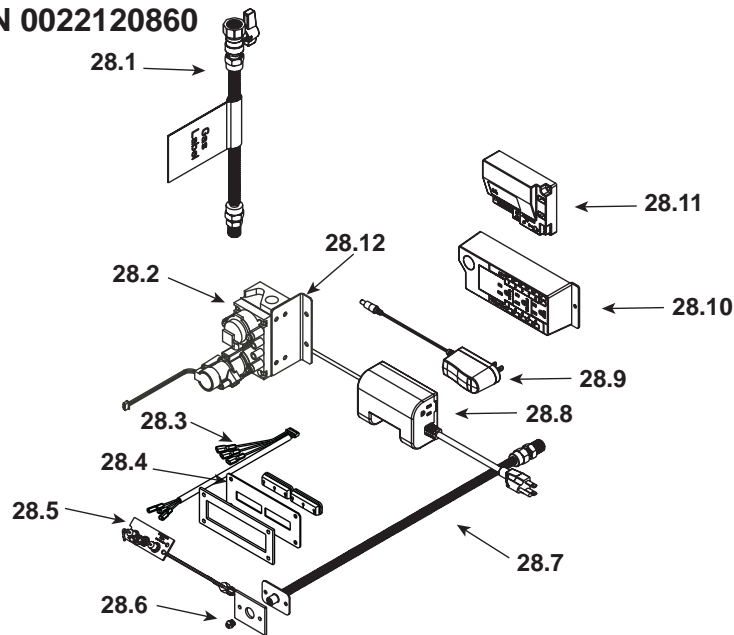
Additional service part numbers appear on following page.

No one builds a better fire

Beginning Manufacturing Date: Dec 2008

Ending Manufacturing Date: Active

#28 Valve Assembly Post SN 0022120860



IMPORTANT: THIS IS DATED INFORMATION. Parts must be ordered from a dealer or distributor. **Hearth and Home Technologies does not sell directly to consumers.** Provide model number and serial number when requesting service parts from your dealer or distributor.



**Stocked
at Depot**

ITEM	DESCRIPTION	COMMENTS	PART NUMBER	
28.1	Flex Ball Valve Assembly		302-320A	Y
28.2	Valve NG	Post 0022120860	2166-302	Y
	Valve LP	Post 0022120860	2166-303	Y
28.3	Wire Harness	Post 0022120860	2166-304	Y
28.4	Side Panel Bracket	Post 0022120860	2146-150	
28.5	Pilot Assembly NG		2146-020	Y
	Pilot Assembly LP		2146-021	Y
28.6	Burner Orifice (#24C) NG		582-824	Y
	Burner Orifice (#44C) LP		582-844	Y
28.7	Flexible Gas Connector		2005-009	Y
28.8	Aux RC300	Post 0022120860	2166-335	Y
28.9	DC Regulator	Post 0022120860	2326-131	Y
28.10	Junction Box		4021-013	Y
28.11	Module	Post 0022120860	2166-306	Y
28.12	Valve Bracket	Post 0022120860	2146-192	
	Remote	Post 0022120860	2166-330	Y
	Conversion Kit NG	Post 0022120860	NGK-ESC42ST-B	Y
	Conversion Kit LP	Post 0022120860	LPK-ESC42ST-B	Y
	Pilot Orifice (NG)		593-528	Y
	Pilot Orifice (LP)		593-527	Y
	Regulator (NG)	Post 0022120860	NGK-DXV-50	Y
	Regulator (LP)	Post 0022120860	LPK-DXV-50	Y