



# A U R O R A

ZERO CLEARANCE OUTDOOR GAS FIREPLACE

## TRIM OPTIONS

BLACK

STAINLESS

## STYLING



SPLIT OAK LOG SET



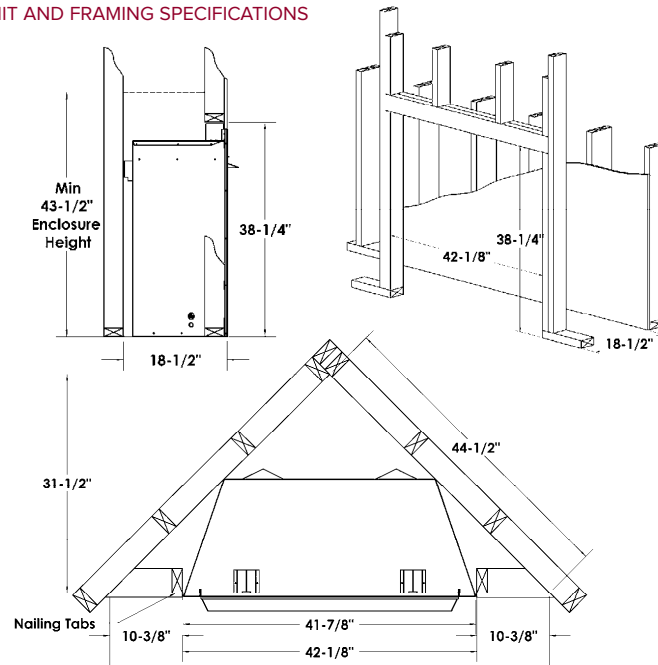
ROCK COLLECTION

# LIGHT UP YOUR NIGHTS WITH **AURORA**

Nights will never be the same with the new Aurora by Marquis. Designed for your outdoor oasis, this fireplace captures your attention with its Satin Coat Black or Stainless Steel Finish and your choice of a contemporary rock collection or log set. Looks like the stars in the sky now have a little competition.

Model	OFF42N-BLACK OFF42NS-STAINLESS	OFF42LP-BLACK OFF42LPS-STAINLESS
Fuel	Natural	Propane
Input Max.	55,000 BTU	55,000 BTU
Input Min.	38,000 BTU	44,000 BTU

### UNIT AND FRAMING SPECIFICATIONS




Unit illustrated is a OFF42NS Outdoor Fireplace in Stainless Steel – Natural Gas, LOGF37 Split Oak Log Set, OFF42RLT Traditional Brick Liner.

### STANDARD FEATURES

- > Hi/lo Millivolt valve with variable adjustment of flame and BTU
- > A flame sensor that constantly monitors the pilot flame and provides 100% gas shut off if pilot is not sensed
- > Stainless steel pull screen
- > Lava rock

### OPTIONAL FEATURES

- Refractory Liner – Traditional and Herringbone
- Surround – Stainless steel
- Remote Control – On/Off 
- Weather Cover – Stainless steel or black
- Spark Assist – Battery operated pilot burner ignitor

### SCREENED PORCH INSTALLATION GUIDELINES

- > Porch Area - 96 sq. ft.
  - > Ceiling Height - 92"
  - > A minimum of two walls can be screened but must be open to outside ventilation.
- Top of screen height - 78"    Screen Area - 64 sq. ft
- Refer to installation manual for additional details of framing specifications and clearances.*

Kingsman Fireplaces maintains a program of continuous testing refinement and improvements of all its products. Some aspect of units shown here may be changed at any time without notice or obligation.  
Certification: These models are certified for USA and Canada as an Outdoor Gas Fireplace. CSA 4.96 US 2nd Edition, CGA CR97-003, CGA 2.17-M91.

