

Installation Instructions

Model Numbers MDV31/39/MQRB3632

Multi-Sided Direct Vent Decorative Gas Fireplace

Certified to: ANSI Z21.50b-2009, CSA 2.22b-2009, CGA 2.17-M91

Model MDV31 Series - MDVR31N, MDVR31LP, MDVL31N, MDVL31LP, MQRB3632N, MQRB3632LP
MDVR31NE, MDVR31LPE, MDVL31NE, MDVL31LPE, MQRB3632NE, MQRB3632LPE
Model MDV39 Series - MDVR39N, MDVL39N, MDVR39NE, MDVL39NE Conversion only
Certified to: ANSI Z21.50b-2009, CSA 2.22b-2009

INSTALLER: Leave this manual with the appliance.
CONSUMER: Retain this manual for future reference.



**Read this complete manual before beginning installation.
These instructions must be kept with the unit for future reference.**

FOR YOUR SAFETY

⚠ WARNING: If the information in these instructions is not followed exactly, a fire or explosion may result causing property damage, personal injury or loss of life.

⚠ Warning: Improper installation, adjustment, alteration, service or maintenance can cause property damage, personal injury or loss of life. Refer to this manual. Installation and service must be performed by a qualified installer, service agency or the gas supplier.

Do not store or use gasoline or other flammable vapors and liquids in the vicinity of this or any other appliance.

What To Do If You Smell Gas

Do not try to light any appliance.

Extinguish any open flame.

Do not touch any electrical switch.

Do not use any phone in your building.

Immediately call your gas supplier from a neighbour's phone.

If you can not reach your gas supplier, call the fire department.

For Propane Horizontal installations the venting must be a minimum of one foot vertical off the flue before going horizontal.



A Division of R-Co. Inc.
2340 Logan Avenue
Winnipeg, Manitoba, Canada R2R 2V3
Ph: (204) 632-1962



Pre-installation Questions and Answers

About curing of the paint

Your stove or fireplace has been painted with the highest quality silicone stove paint. This paint dries quickly in 15-20 minutes when first applied at the factory. However, due to the high temperature silicone components, the paint will cure when heat is applied to the appliance as it is first used. The following information applies to the curing process to get the paint fully hard and durable.

Fire the appliance four successive times for 10 minutes each firing and a 5 minute cool down between each. Be aware during log and firebox paint curing that a white deposit may be developing on the inside of the glass doors. It is important to remove this white deposit from the glass doors using a commercial fireplace glass cleaner.

- Babies, small children, pregnant women and pets should leave the area during the cure phase.
- Ventilate well, open doors and windows.
- Do not touch during curing.

Why does my fireplace or stove give off odour?

It is normal for your fireplace to give off some odour. This is due to the curing of the paint, adhesives, silicones and any undetected oil from the manufacturing process as well as the finishing materials used with the installations (e.g. marble, tile and the adhesives used to adhere this product to the walls can react with heat and cause odours).

It is recommended that you burn your gas fireplace or stove for a minimum of four hours at a time with the fan off (if a fan is present) after the curing of the paint has been completed. These odours can last upward to 40 hours of burn time; keep burning at a minimum of four hours per use until odours dissipate.

Noise coming from the fireplace?

Noise is caused by the expansion and contraction of metal as the appliance heats up and cools down. This is normal and is similar to the sounds produced by a furnace or heating duct. This noise does not affect the operation or longevity of your fireplace.

Operating Instructions

1. Be sure to read and understand all the instructions in this manual before operation of appliance.
2. Ensure all wiring is correct and properly enclosed to prevent possible shock.
3. Check for gas leaks.
4. Make sure the glass door is properly installed before operation. Never operate the appliance with the glass door removed.
5. Make sure venting and termination cap are installed and unobstructed.
6. If brick or porcelain liners are used, ensure they are installed.
7. Verify that the pilot can be seen when lighting the appliance. If not, the log or rock placement is incorrect.
8. If the unit is turned off, you must wait a minimum of 60 seconds before re-lighting it.

Table of Contents

Pre-installation Questions and Answers.....	2
Operating Instructions.....	2
Table of Contents.....	3
Warnings, Installations, and Operations.....	4-5
Installation Requirements for the Commonwealth of Massachusetts.....	5
Locating your Appliance.....	6
Fireplace Dimensions.....	6
Framing Corner L/H & R/H Installation Instructions - Louvered Unit Only...	7-8
Framing See-Thru Installation Instructions - Louvered Unit Only.....	9-10
See Through With CVCK -Dimensions-.....	11
Clearances - HBZDV36 Mantels & Surrounds.....	11
See Through With CVCK Installation.....	12
Framing & Facing Requirements.....	13
MDV31 – How to Install Clean View Kit (Z36CVCK).....	14
MQSW Wall Mount Surrounds.....	15
Framing Peninsula Installation Instructions - Louvered Unit Only.....	16-17
Low Profile Enclosures - Louvered Unit Only.....	18
Clearances – MDV31 – Mantels & Surrounds.....	19
Mantel Leg Clearances.....	20
Fan Kit Installation.....	21
Split Receptacle- Fan Speed Control Outside of Fireplace.....	22
Door and Grill Installation.....	23
LOGC31 Placement Guidelines for Model MDV31/39.....	24-25
MQRSP7 Rock Support Platform and MQROCK1 for Models MDV31/39...	26-27
Accessories Available for Skyline & ZDVRB3622 Ribbon Burner Units.....	28-29
ULK2 Universal Light Kit (Optional Accent Lighting Kit).....	30-31
Installing MQRB 3632 Liner Panels.....	32
Brick Panel Installation.....	33
Burner and Valve Removal Instructions.....	34
Gas Line Installation.....	35
General Glass Information.....	35
Millivolt System, Lighting, and Burner Control.....	36
Burner System Maintenance.....	37
Conversion Kit Instructions – PART A.....	38-39
Gas Conversion for Top Convertible Pilot (Series 019065X) – PART B.....	40
Gas Conversion for Modulator – PART C.....	41
IPI Electronic Ignition System.....	42-46
IPI Lighting Instructions.....	47
Vent Termination.....	48
General Vent Installation Information.....	49
Horizontal Venting Routes.....	50-51
Vertical Venting.....	52
Replacement Parts.....	53-55
Parts List for Models MDV31/39.....	56
Parts List for Model MQRB3632.....	57
Kingsman Fireplace Venting.....	58
Trouble Shooting The Gas Control System.....	59
Glass Safety / Termination Cap Safety- All Units.....	60
Limited Lifetime Warranty.....	61

Warnings, Installations and Operations

Installation Regulations

This gas appliance must be installed by a qualified installer in accordance with local building codes, or in the absence of local codes, with the current CAN/CGA-B149.1 or .2 Installation Code (in Canada) or the current National Fuel Gas Code Z223.1 when installed in the United States.

This appliance, when installed, must be electrically connected and grounded in accordance with local codes, or in the absence of local codes, with the current CSA C22.1 Canadian Electrical Code or with the national Electrical Code; ANSI/NFPA 70-1987 when installed in the United States.

In the U.S.A. Thermostats are not permitted for Vented Gas Fireplaces (ANSI Z21.50b-2009 -Decorative).

WARNING

FOR SAFE INSTALLATION AND OPERATION OF YOUR GAS FIREPLACE PLEASE NOTE THE FOLLOWING:

1. Do not clean when the glass is hot.
2. Do not use abrasive cleaners.
3. Using a substitute glass will void all product warranties.
4. For safe operation, glass doors must be closed.
5. When purging the gas line, the glass front must be removed.
6. Do not strike or abuse glass. Take care to avoid breakage.
7. Do not alter gas orifice.
8. No substitute materials may be used other than factory supplied components.
9. This appliance gives off high temperatures and should be located out of heavy traffic areas and away from furniture and draperies.
10. Children and adults should be alerted to the hazards of the high surface temperatures of this appliance and should stay away to avoid burns or ignition of clothing.
11. Young children should be carefully supervised when they are in the same room as the appliance. Toddlers, young children and others may be susceptible to accidental contact burns. A physical barrier is recommended if there are at risk individuals in the house. To restrict access to a fireplace or stove, install an adjustable safety gate to keep toddlers, young children and other at risk individuals out of the room and away from hot surfaces.
12. Under no circumstances should any solid fuels (wood, paper) be used in this appliance.
13. Under no circumstances should this appliance be modified. Any parts that have to be removed for servicing should be replaced prior to operating this appliance.
14. Any safety screen or guard removed for servicing an appliance must be replaced prior to operating the appliance.
15. Installation and repair should be done by a qualified service person. The appliance should be inspected before use and at least annually by a professional service person. More frequent cleaning may be required due to excessive lint from carpeting, bedding material, et cetera. It is imperative that control compartments, burners and circulating air passageways of the appliance be kept clean. Make sure that the gas valve and pilot light are turned off before you attempt to clean this unit.
16. Clothing or other flammable material should not be placed on or near the appliance. This appliance should not be used as a drying rack for clothing nor should Christmas stockings or decorations be hung from it.
17. Do not use this heater if any part has been under water. Immediately call a qualified service technician to inspect the heater and to replace any part of the control system and any gas control which has been under water.
18. Do not operate appliance unless completely installed as per installation instructions.
19. Failure to position the parts in accordance with these diagrams or failure to use only parts specifically approved with this appliance may result in property damage or personal injury.
20. Do not operate appliance with the glass front removed, cracked or broken. Replacement of the glass should be done by a licensed or qualified service person.
21. The front of the fireplace gives off high temperatures that could ignite combustible material which is kept close to the front of the unit.
22. Ensure that power to the Fireplace is turned off before servicing.
23. Do not operate this Fireplace without the glass front or with a broken glass.
24. Improper installation, adjustment, alteration, service or maintenance can cause injury or property damage. Refer to the owner's information manual provided with this appliance. For assistance or additional information consult a qualified installer, service agency, or the gas supplier.
25. Operation of this appliance when not connected to a properly installed and maintained venting system or tampering with the blocked vent shutoff system can result in carbon monoxide (CO) poisoning and possible death.
26. This appliance is equipped with a three-prong (grounding) plug for your protection against shock hazard and should be plugged directly into a properly grounded three-prong receptacle. Do not cut or remove the grounding prong from this plug.

WARNING



**HOT GLASS WILL
CAUSE BURNS
DO NOT TOUCH GLASS
UNTIL COOLED.
NEVER ALLOW CHILDREN
TO TOUCH GLASS.**

- Gas fired appliances may be used only for supplemental heat and/or decorative purposes and under no circumstances shall they provide a primary heat source.
- This appliance must not be connected to a chimney flue serving a separate solid-fuel burning appliance.

NOTE: It is recommended that a Carbon Monoxide (CO) Detector be installed in or near bedrooms and on all levels of your home. Place a detector about 15ft [4.5m] outside the room that houses your gas appliance.

Certified for installation in a bedroom or bed/sitting room. In Canada must be installed with listed millivolt thermostat.

In the U.S.A. Thermostats are not permitted for Vented Gas Fireplaces (ANSI Z21.50b-2009 -Decorative).

In USA see local codes.

Operations and Maintenance Instructions

For safe installation and operation note the following:

- The Burner/Log Assembly has been engineered and permanently adjusted for proper flame control.
- Periodically remove the logs from the grate assembly and vacuum any loose particles from the grate and burner areas. See Log Placement page to remove logs. Vacuum burner parts and replace logs.
- Never use your gas fireplace as a cooking device.
- Label all wires prior to disconnection when servicing controls. Wiring errors can cause improper and dangerous operation. Verify proper operation after servicing.

Installation Requirements for the Commonwealth of Massachusetts

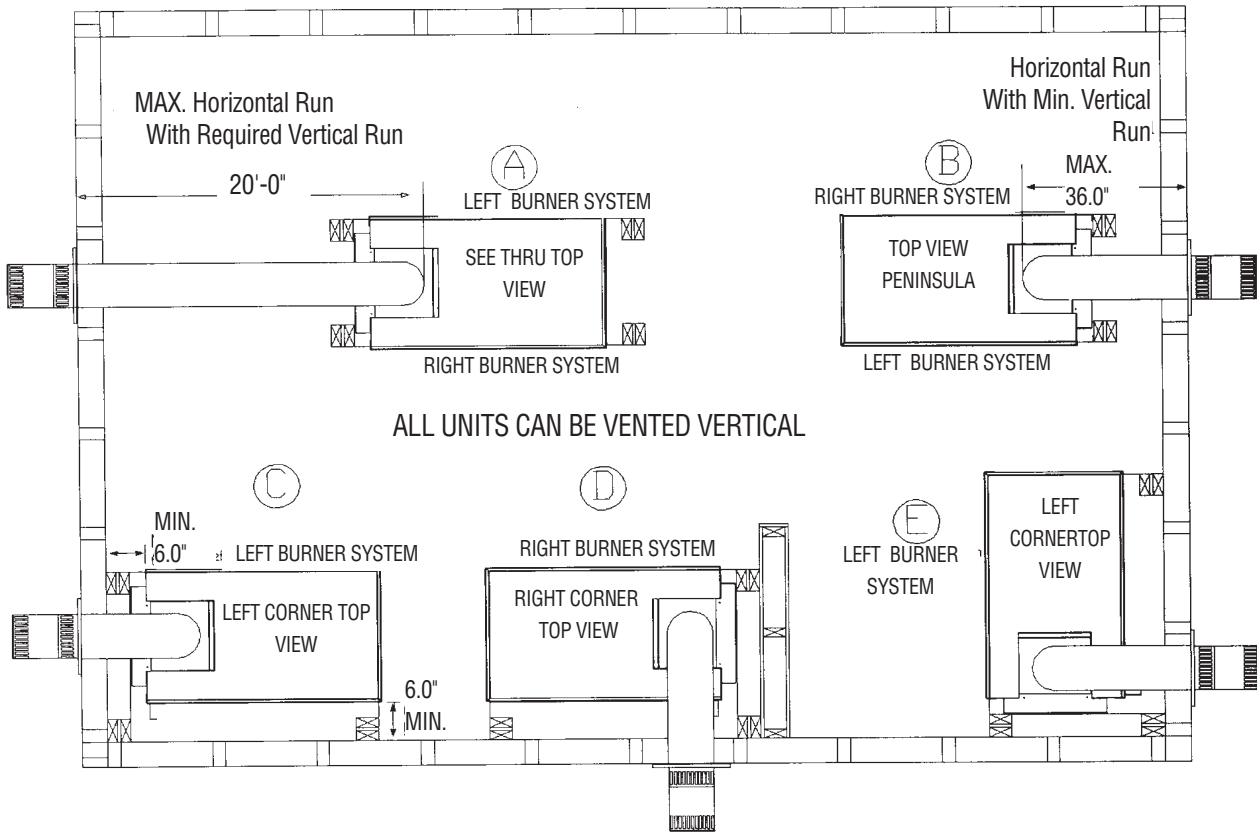
In the Commonwealth of Massachusetts, the installer or service agent shall be a plumber or gas fitter licensed by the Commonwealth. When installed in the Commonwealth of Massachusetts or where applicable codes; the unit shall be installed with a CO detector per the requirements listed below.

1. For direct-vent appliances, mechanical-vent heating appliances or domestic hot water equipment, where the bottom of the vent terminal and the air intake is installed below four feet above grade the following requirements must be satisfied:
 - A. If there is not one already present, on each floor level where there are bedroom(s), a carbon monoxide detector and alarm shall be placed in the living area outside the bedroom(s). The carbon monoxide detector shall comply with NFPA 720 (2005 Edition).
 - B. A carbon monoxide detector shall be located in the room that houses the appliance or equipment and shall:
 - Be powered by the same electrical circuit as the appliance or equipment such that only one service switch services both the appliance and the carbon monoxide detector;
 - Have battery back-up power;
 - Meet ANSI./UL 2034 Standards and comply with NFPA 720 (2005 Edition); and
 - Have been approved and listed by a Nationally Recognized Testing Laboratory as recognized under 527 CMR.
 - C. A Product-approved vent terminal must be used, and if applicable, a Product-approved air intake must be used. Installation shall be in strict compliance with the manufacturer's instructions. A copy of the installation instructions shall remain with the appliance or equipment at the completion of the installation.
 - D. A metal or plastic identification plate shall be mounted at the exterior of the building, four feet directly above the location of vent terminal. The plate shall be of sufficient size to be easily read from a distance of eight feet away, and read "Gas Vent Directly Below".
2. For direct-vent appliances, mechanical-vent heating appliances or domestic hot water equipment where the bottom of the vent terminal and the air intake is installed above four feet above grade the following requirements must be satisfied:
 - A. If there is not one already present, on each floor level where there are bedroom(s), a carbon monoxide detector and alarm shall be placed in the living area outside the bedroom(s). The carbon monoxide detector shall comply with NFPA 720 (2005 Edition).
 - B. A carbon monoxide detector shall:
 - Be located in the room that houses the appliance or equipment;
 - Be either hard-wired or battery powered or both; and
 - Shall comply with NFPA 720 (2005 Edition).

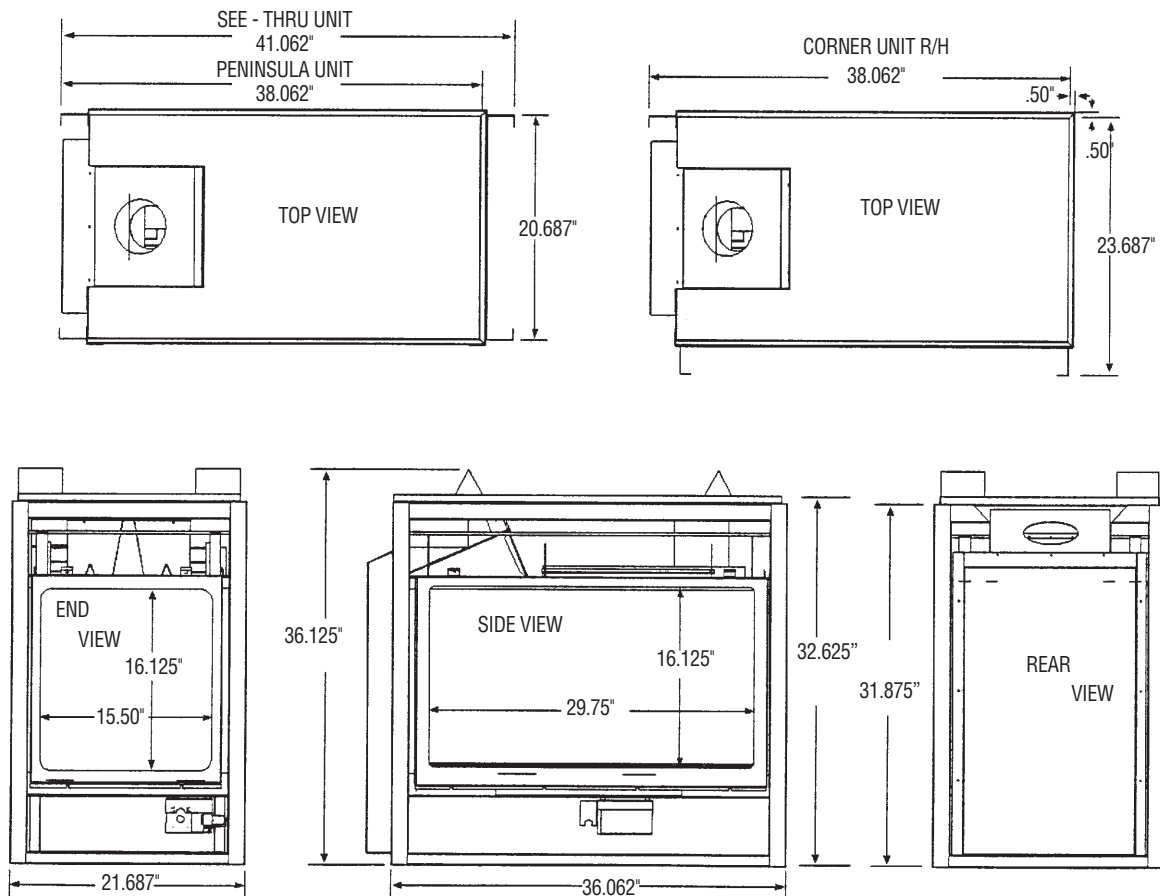
A Product-approved vent terminal must be used, and if applicable, a Product-approved air intake must be used. Installation shall be in strict compliance with the manufacturer instructions. A copy of the installation instructions shall remain with the appliance or equipment at the completion of the installation.

For the state of Massachusetts a **T-handle gas shut-off valve** must be used on a gas appliance. This T-handle gas shut-off valve must be listed and approved by the state of Massachusetts. This is in reference to the state of Massachusetts state code CMR238.

Locating your Appliance



Unit Dimensions - With Louvers



Framing Corner L/H & R/H Installation Instructions - Louvered Unit Only

FRAMING

Using 2x4s frame to local building codes. DO NOT install against a Vapour Barrier or Exposed Insulation.

Framing measurements have been adjusted to accommodate a 1/2" thick finished wall. FIGURE 1 Combustible materials may be installed flush with the top and sides of fireplace.

It is not necessary to install a hearth with this fireplace system. Objects placed in front of the fireplace should be kept a minimum of 24" away from the front face.

Fireplace bottom supplies you with two 6"x8" holes. The use of these holes depends on valve and Fireplace location on riser or upper floor.

FRAMING DETAIL THROUGH Combustible WALL

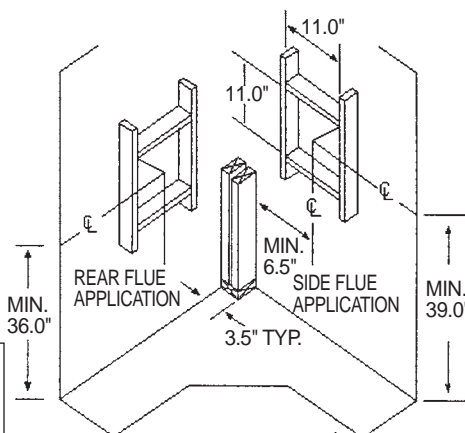
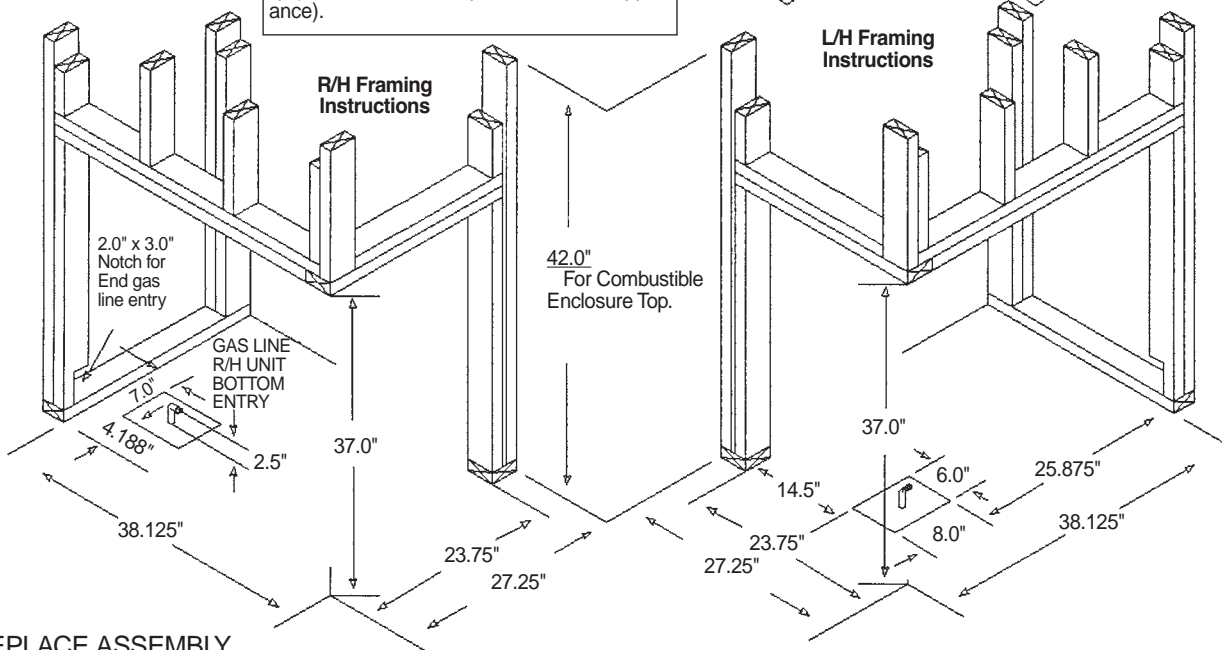


FIGURE 1

NOTE: The standoffs are non load bearing. When installing a cabinet, a maximum weight of 250 lbs can be installed on the 1/2" drywall lip (located around the perimeter of the appliance).



FIREPLACE ASSEMBLY

1. Mount Door Cover Figure #2. First apply a small bead of High Heat Silicone to door seal. Mount Door and screw into place, making sure that Door is properly sealed.
2. Hang Heat Shield on top edge of fireplace, and secure with self tapping screws. Heat Shield must be centered allowing a 1/2" clearance both sides of Fireplace for finishing material.
3. The heat shield and rear standoff are equipped with nailing tabs. Level Fireplace and nail or screw into place.

R/H FIREPLACE SHOWN

NOTE.

For Low Profile Enclosure Refer to Low Profile Enclosure Section.

NOTE: Clearance to back of unit and/or sides of unit framed into walls require 6" minimum clearance to combustibles. We recommend using two (2 x 4) studs placed against the wall as per framing diagrams. See Locating your Appliance for additional information.

FIGURE 2

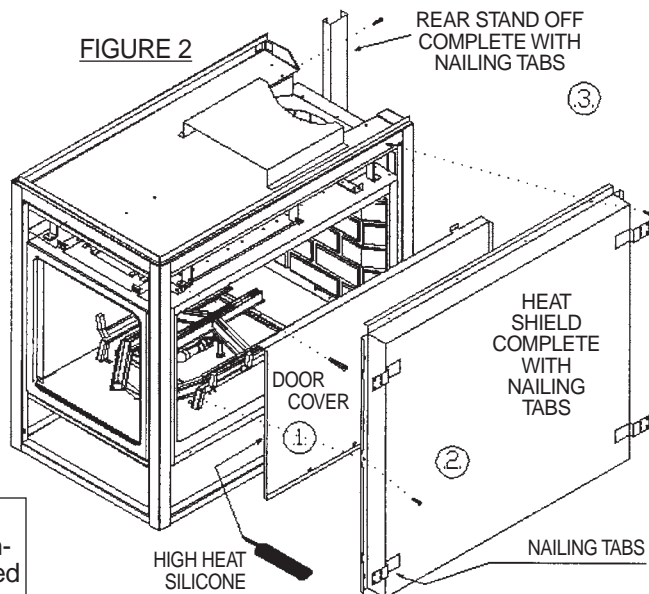
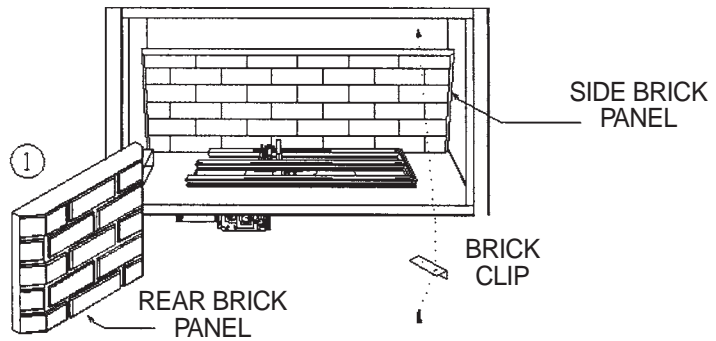


FIGURE 3

BRICK PANEL INSTALLATION

1. Insert side Brick panel into place, using Brick retaining clip position and screw to top of firebox.
2. Install rear Brick panel, brick retaining clip located at top.



NOTE!

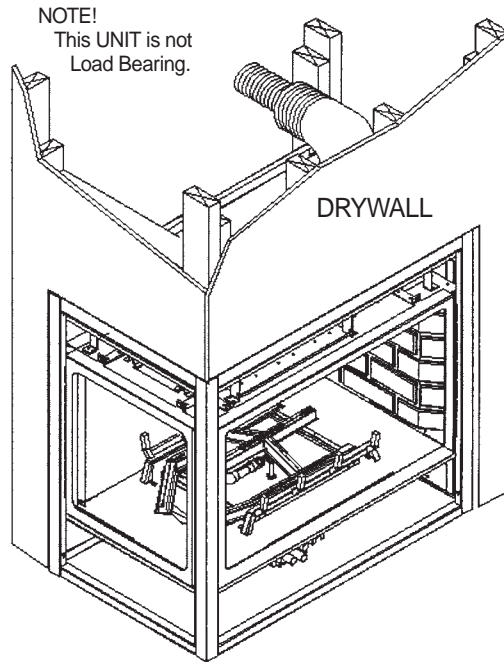
For Log, Crushed Rock and Glowing Ember installation refer to Log Placement Section.

FACING MATERIAL INSTALLATION

Facing material. Example DRYWALL may be installed flush with top of Fireplace.

Side facing to be installed to standoffs only.

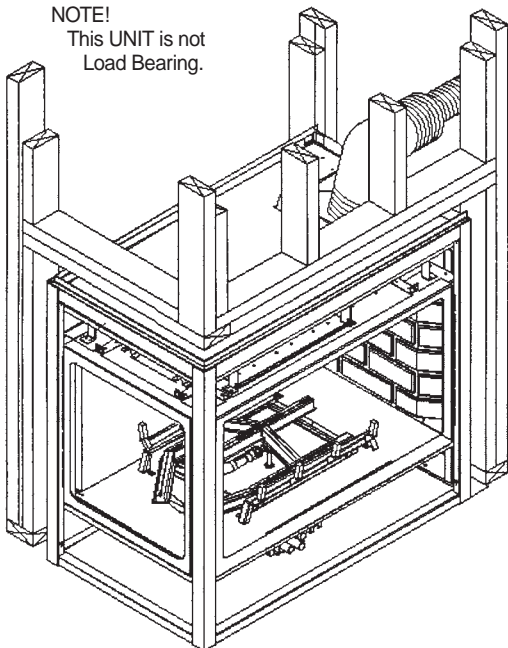
FIGURE 4



NOTE!
This UNIT is not
Load Bearing.

REAR FLUE INSTALLATION

NOTE!
This UNIT is not
Load Bearing.



SIDE FLUE INSTALLATION

NOTE!
This UNIT is not
Load Bearing.

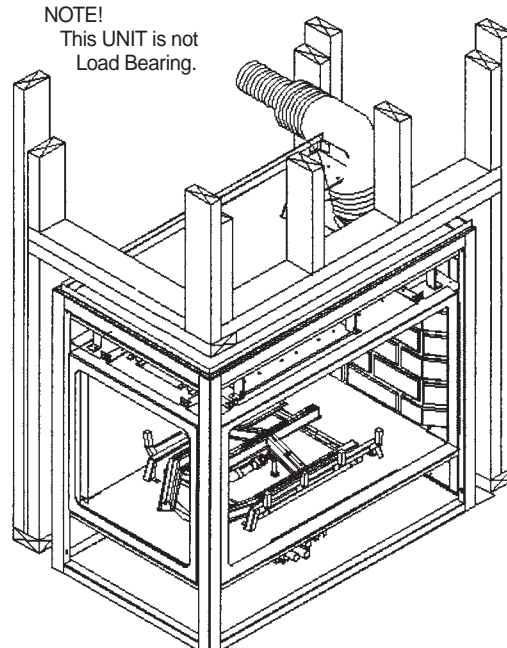


FIGURE 5

Framing See-Thru Installation Instructions - Louvered Unit Only

FRAMING

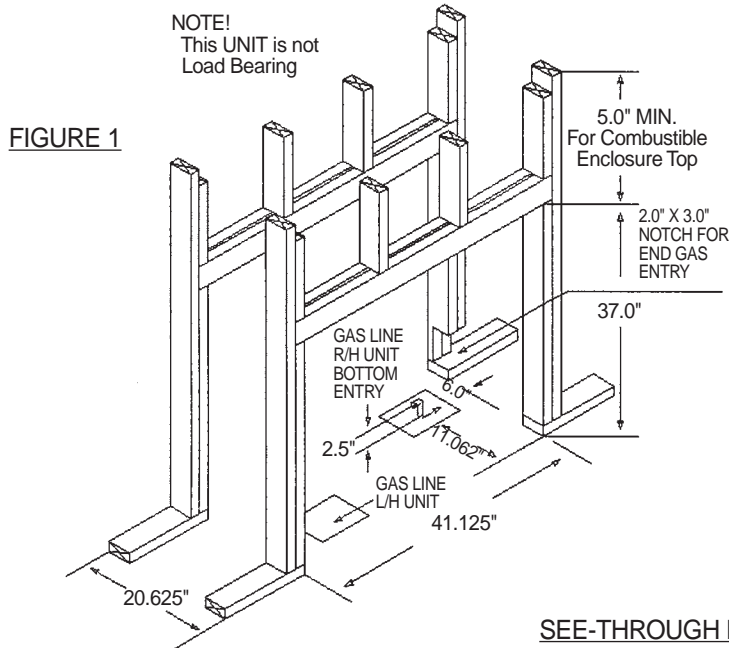
Using 2x4s frame to local building codes.
DO NOT install against a Vapour Barrier or Exposed Insulation.

Framing measurements have been adjusted to accommodate a 1/2" thick finished wall. FIGURE 1

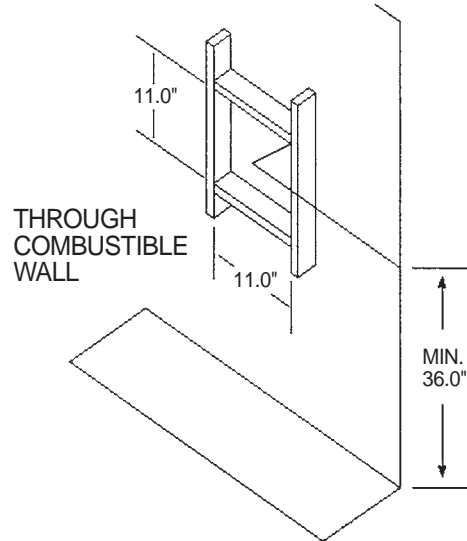
Combustible materials may be installed flush with top of standoffs and sides of fireplace.

It is not necessary to install a hearth with this fireplace system. Objects placed in front of the fireplace should be kept a minimum of 24" away from the front face.

Gas line installation should be performed only after Fireplace installation. Fireplace bottom supplies you with two 6"x8" rectangular holes. The use of these holes depends on valve and Fireplace location on riser or upper floor.



FRAMING DETAIL HORIZONTAL RUN WITH MIN. VERTICAL RUN



NOTE

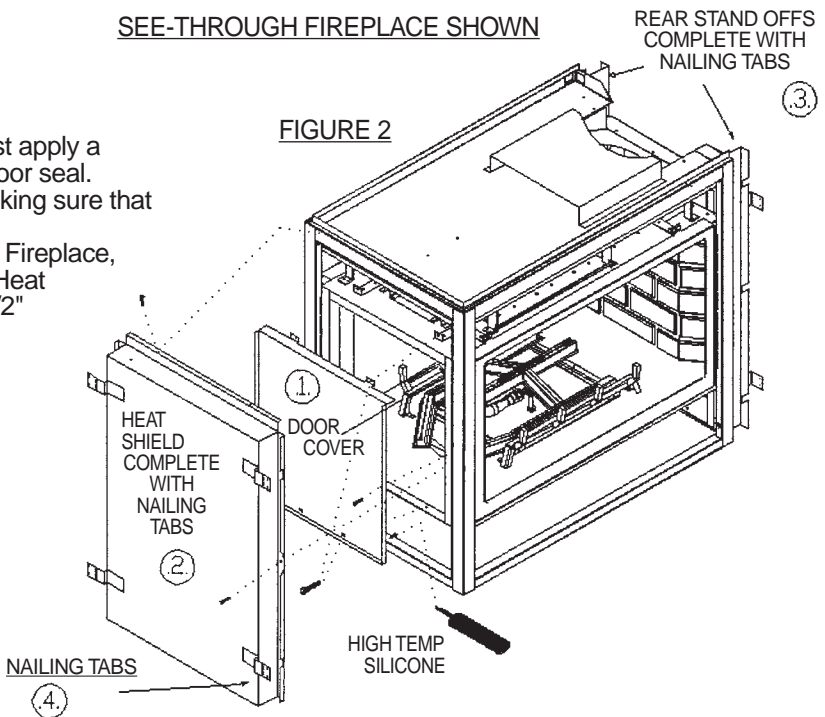
For Low Profile Enclosure Refer to Low Profile Enclosure Section.

SEE-THROUGH FIREPLACE SHOWN

FIREPLACE ASSEMBLY

1. Mount Door Cover Figure #2. First apply a small bead of High Heat Silicone to door seal. Mount Door and screw into place, making sure that Door is properly sealed.
2. Hang Heat Shield on top edge of Fireplace, and secure with self tapping screws. Heat Shield must be centered allowing a 1/2" clearance both sides of Fireplace for finishing material.
3. The heat shield and rear standoff are equipped with nailing tabs. Level Fireplace and nail or screw into place.

NOTE: Clearance to back of unit and/or sides of unit framed into walls require 6" minimum clearance to combustibles. We recommend using two (2 x 4) studs placed against the wall as per framing diagrams. See - Locating your Appliance, for additional information.

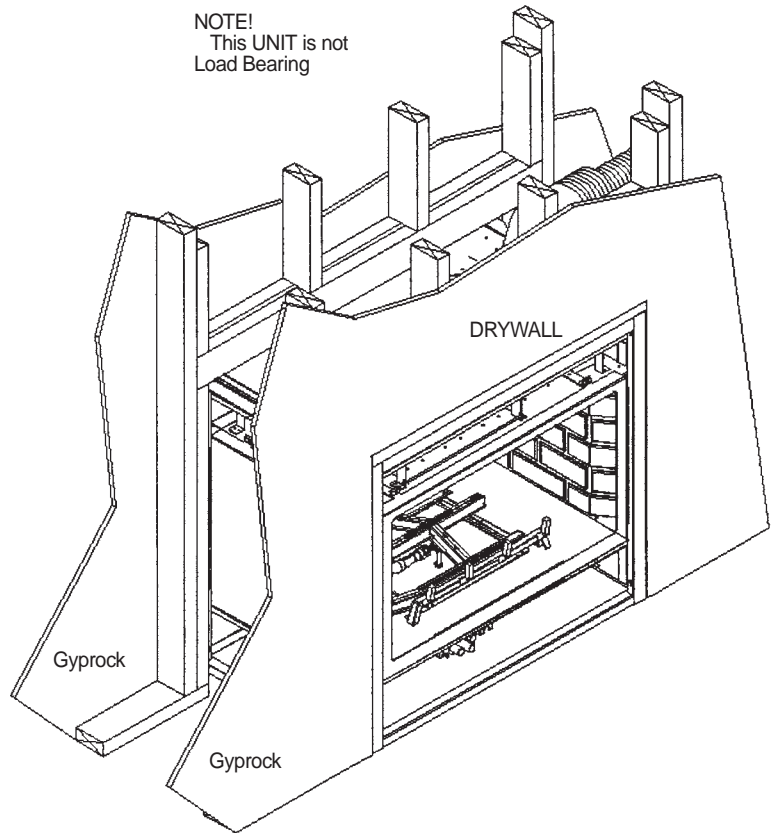


FACING MATERIAL INSTALLATION

Facing material. Example DRYWALL may be installed Flush with top of Fireplace.

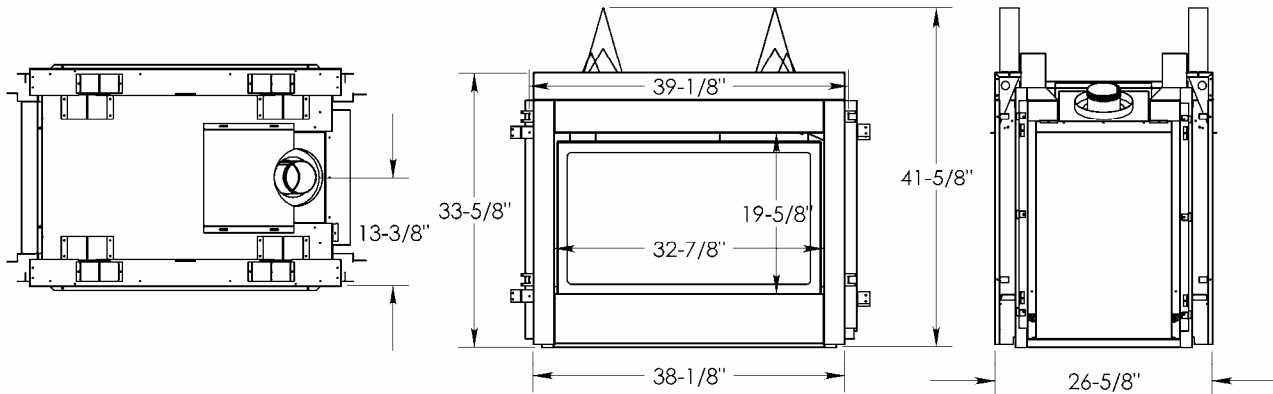
Side facing to be installed to standoffs only.

NOTE!
This UNIT is not
Load Bearing



See Through With CVCK -Dimensions-

General Dimensions

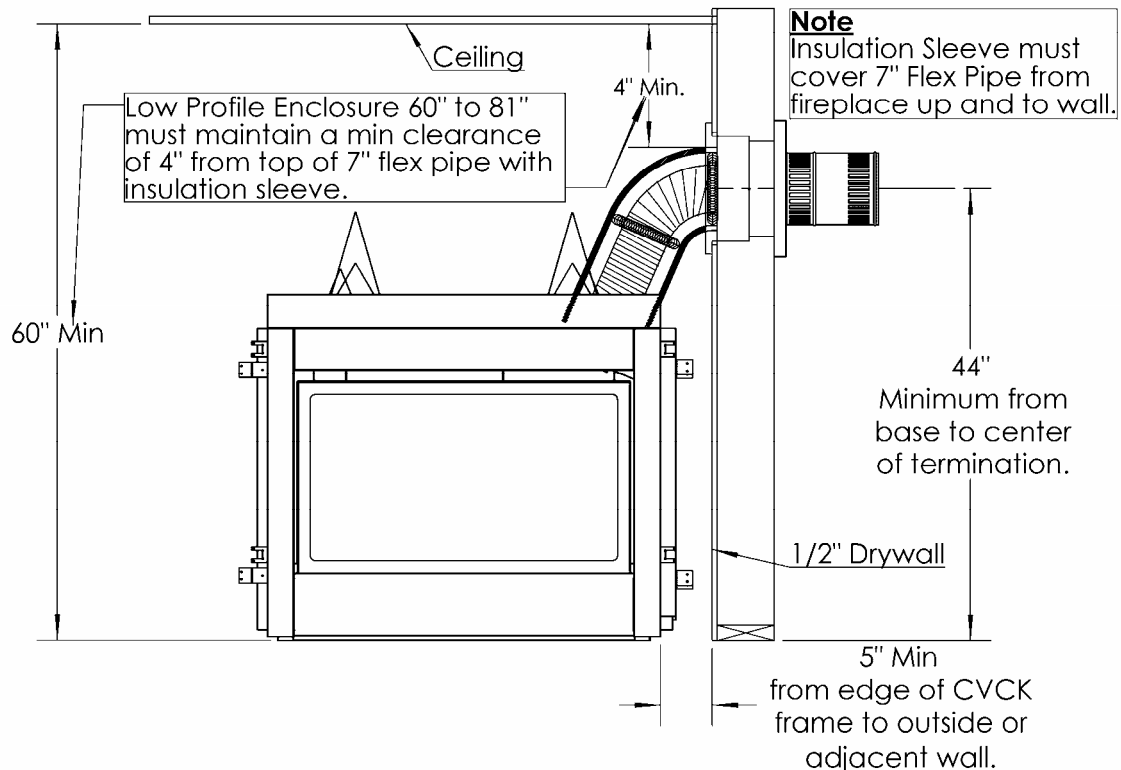


Note: When CVCK is used, a CVCK Kit must be installed on **Both** sides of the unit.

See Through With CVCK -Enclosures-

81" and higher enclosures must maintain 4" space between 90° elbow and top of enclosure (insulation sleeve is not required).

For **Propane Horizontal Installations** the venting must be a minimum of one foot vertical off the flue before the elbow on any horizontal runs of one foot or greater. This allows for cleaner combustion and greatly reduces carboning and cleaning of glass. Does not apply to Back Flue models).



-See-Through With CVCK Installation-

Framing

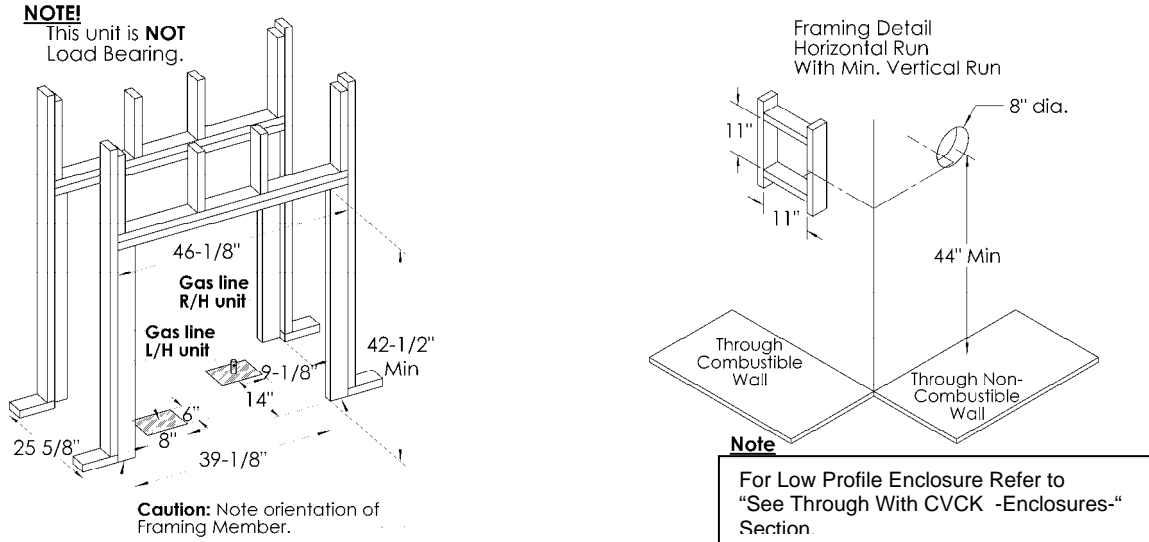
(The following method assumes that framing is in place **before** the unit is installed.)

Using 2x4's, frame to local building codes. **DO NOT** install against a Vapor Barrier or Exposed Insulation.

Framing measurements have been adjusted to accommodate a 1/2" thick finished wall. Combustible materials may be installed flush with the top and sides of the installed CVCK Kits. ("Framing and Facing Requirements" Section.)

It is not necessary to install a hearth with this fireplace system. Objects placed in front of the fireplace should be kept a minimum of 24" away from the front face.

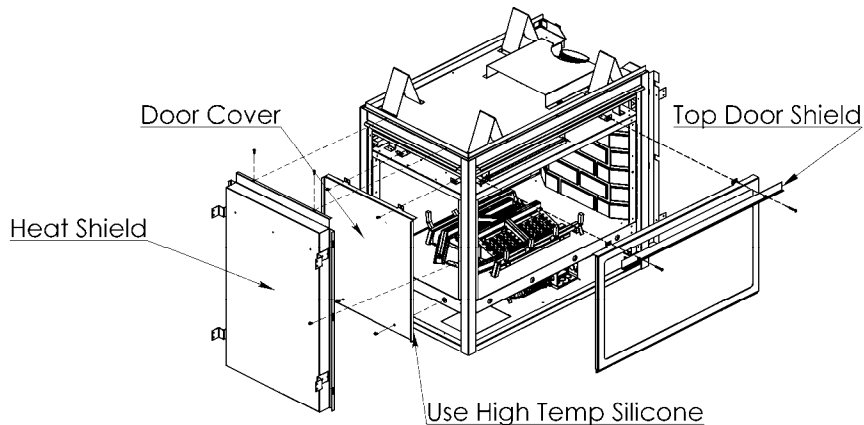
Gas line installation should be performed only after fireplace installation. Fireplace bottom supplies you with two 6" x 8" rectangular holes. The use of these holes depends on valve and fireplace location on riser or upper floor.



Fireplace Assembly

1. **Mount Door Cover.** First apply a bead of High Heat Silicone to door seal. Mount Door Cover and screw into place, making sure that door is properly sealed.
2. **Hang Heat Shield on top edge of fireplace; secure with self-tapping screws.** Heat Shield must be centered, allowing a 1/2" clearance both sides of fireplace.
3. **Top Door Shield** should be installed on both sides of unit when the doors are installed.
4. **Place unit inside framing and center.** You are now ready to install CVCK Kits onto unit (See "How to Install Clean View Kit" section). Gas line and electrical connections (blower fan, etc.) should be performed at this time.

See-Through Fireplace Shown Without CVCK



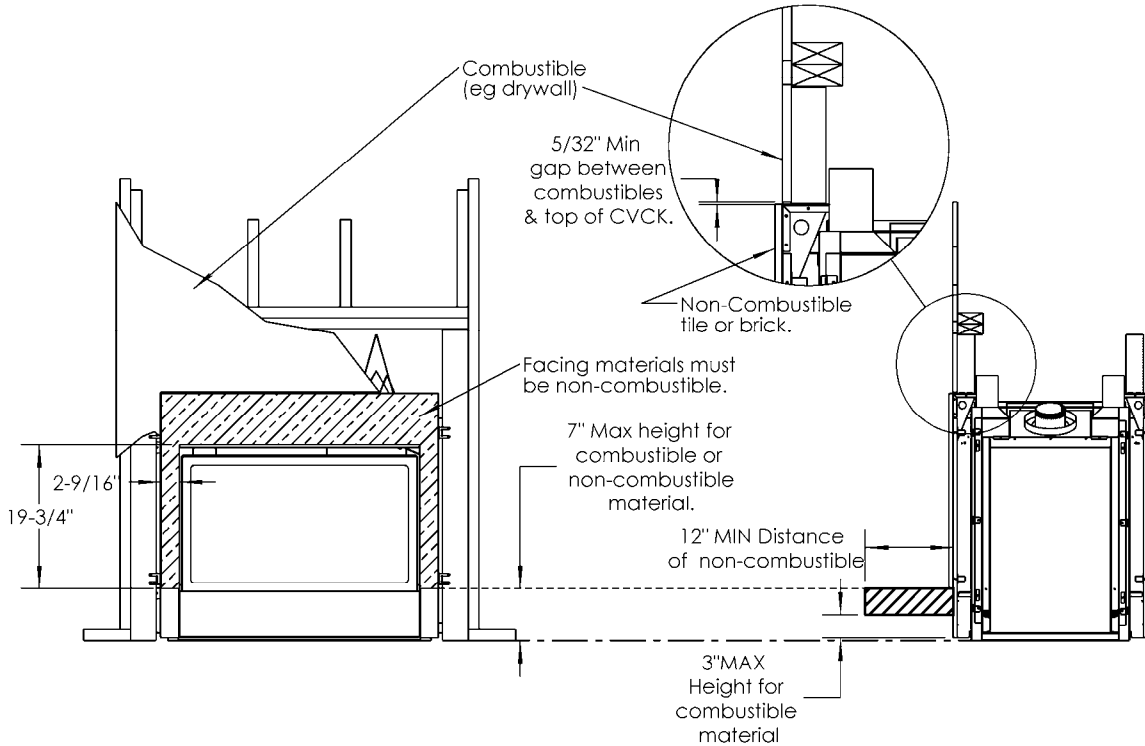
Note: Clearance to back of unit and / or sides of unit framed into walls require 6" Minimum clearance to combustibles. We recommend using two (2 x 4) studs placed against the wall as per framing diagrams. See "Locating Your Appliance" Section for additional information.

5. Once the unit (with CVCK Kits) is installed into Framing, Facing Material may be installed (See "Framing and Facing Requirements" Section).

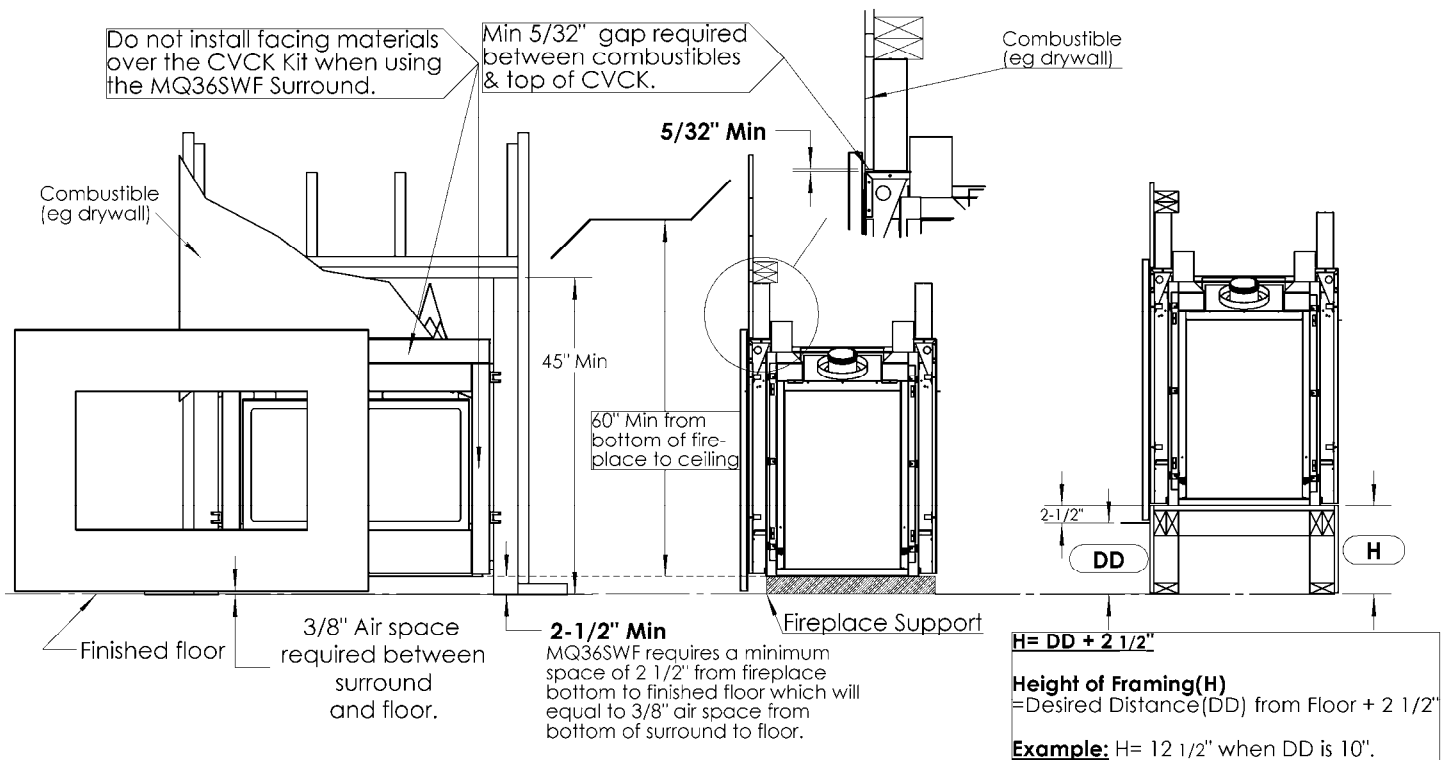
Framing and Facing Requirements

See Through with CVCK (Clean View Circulating Kit)

Note: When CVCK is used, a CVCK Kit must be installed on **Both** sides of the unit.



MDV31 with MQ36SWF Surround



MDV31 – How to Install Clean View Kit (Z36CVCK)

Caution: When using CVCK do not install Louver Assembly.

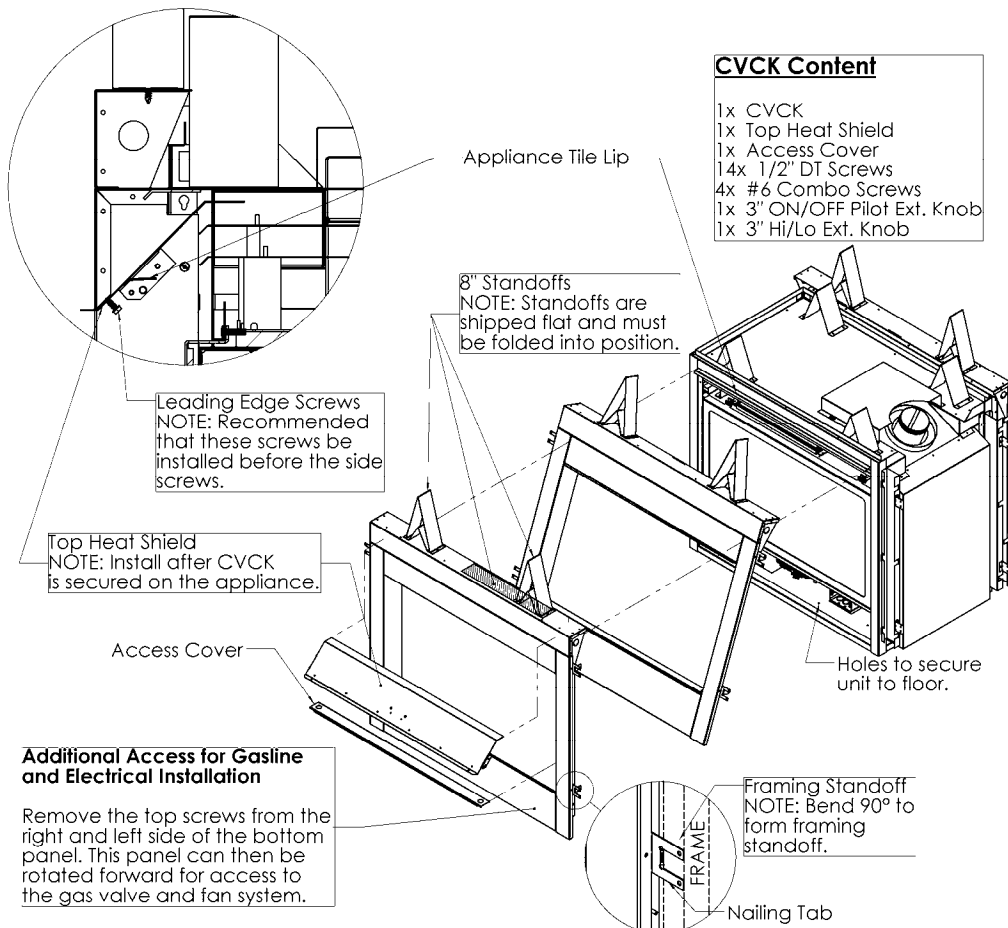


WARNING: Failure to position the parts in accordance with these diagrams or failure to use only parts specifically approved with this appliance may result in property damage or personal injury.

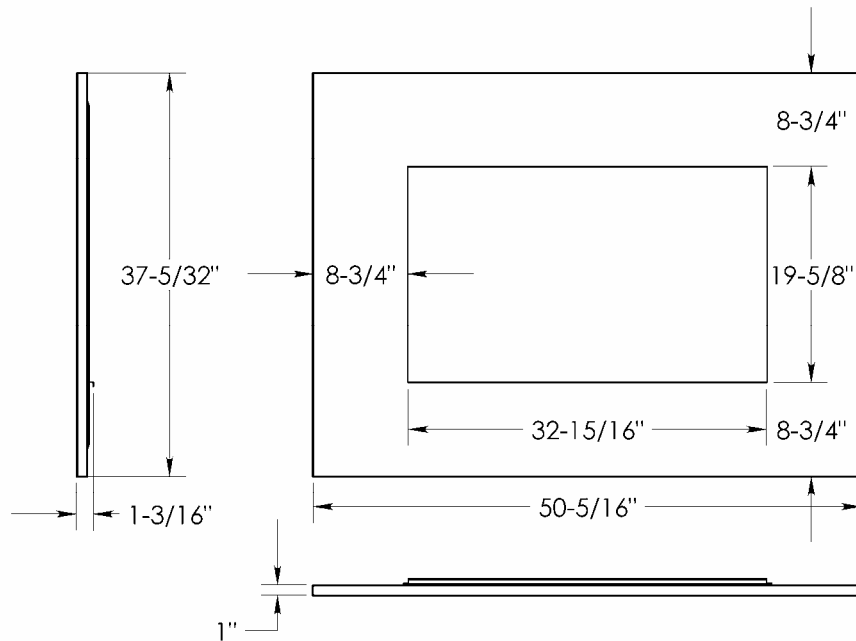
NOTE: When using the Clean View Kit (CVCK) and installing optional electrical components (i.e. Remote Controls, variable speed control, and or fan modules) locate them in the Clean View access area, unless other shielding devices like our IPI Component box is used.

1. Install optional Fan Kit (See Fan instructions).
2. Fold the tall 8" standoffs up into position and mount them with the supplied screws.
3. Bend the center tab on the four [4] Nailing Tabs 90° as shown below. These tabs are the standoffs for the side Framing.
4. Place CVCK inside Fireplace door opening and, using the four [4] supplied #6 screws, fasten the CVCK to the inside posts of the appliance.
5. Using ten [10] DT screws, install the Top Heat Shield to the upper inside portion of the CVCK. A side cut-view is provided to illustrate how the shield is installed. It is recommended that the Leading Edge Screws be installed before the side screws.
6. Position the appliance inside the Framing and secure it using the nailing tabs on the CVCK. Ensure that the Framing does not exceed the standoffs bent in Step 2. Furthermore, it is recommended that the fireplace be fastened to the floor with 4 screws as well.
7. The CVCK Kit is supplied with two [2] valve extension knobs. Align the notches and slide the extensions onto the valve knobs.
8. DO NOT brick or tile beyond the inside area of the CVCK Kit to allow for removal of the door and ventilation.

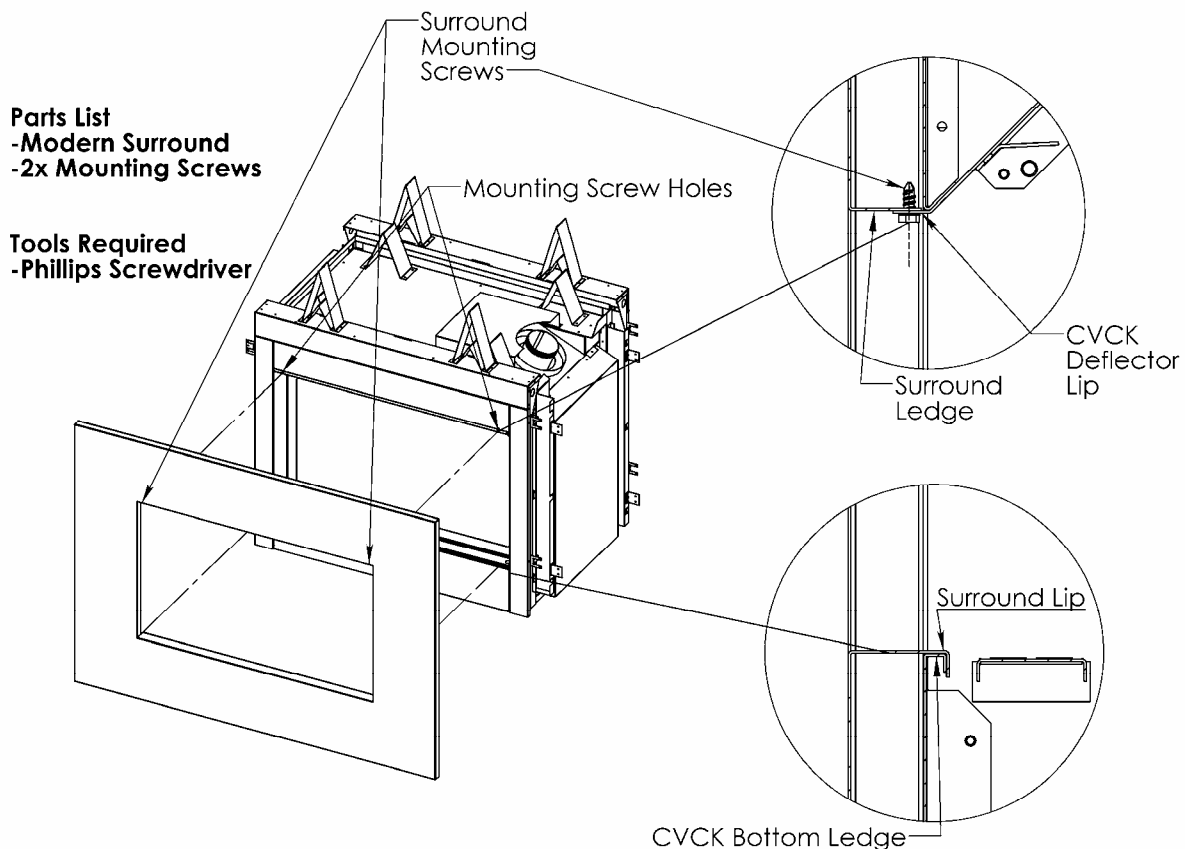
NOTE: ADDITIONAL ACCESS FOR GASLINE INSTALLATION AND FAN ELECTRICAL INSTALLATION! When CVCK is installed in framing, remove the four [4] screws from the bottom panel. Once screws are removed, bottom panel can be removed to access gas valve and fan system.



MQSW Wall Mount Surround Dimensions



Installation of MQ Wall Mount Surrounds



1. Set Surround Lip on CVCK Ledge and ensure that it is securely in place.
2. Swing the upper portion of the Surround so that the Surround Ledge is resting on top of the CVCK Deflector Lip.
3. Align the Mounting Screw Holes and fasten the Surround in place with the supplied screws.
4. Attach optional Decorative Bands as desired.
5. To remove, simply reverse these steps.

Framing Peninsula Installation Instructions - Louvered Unit Only

FRAMING

Using 2x4s frame to local building codes. DO NOT install against a Vapour Barrier or Exposed Insulation.

Framing measurements have been adjusted to accommodate a 1/2" thick finished wall. FIGURE 1
Combustible materials may be installed flush with top and sides of fireplace.

It is not necessary to install a hearth with this fireplace system. Objects placed in front of the fireplace should be kept a minimum of 24" away from the front face.

Gas line installation should be performed only after Fireplace installation. Fireplace bottom supplies you with two 6"x8" rectangular holes. The use of these holes depends on valve and Fireplace location on riser or upper floor.

NOTE: The standoffs are non load bearing. When installing a cabinet, a maximum weight of 250 lbs can be installed on the 1/2" drywall lip (located around the perimeter of the appliance).

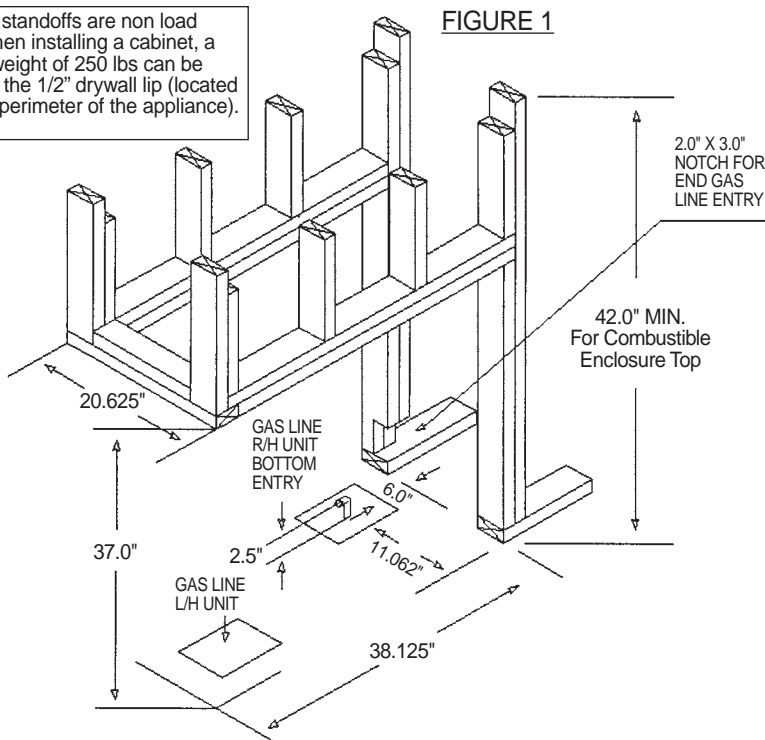
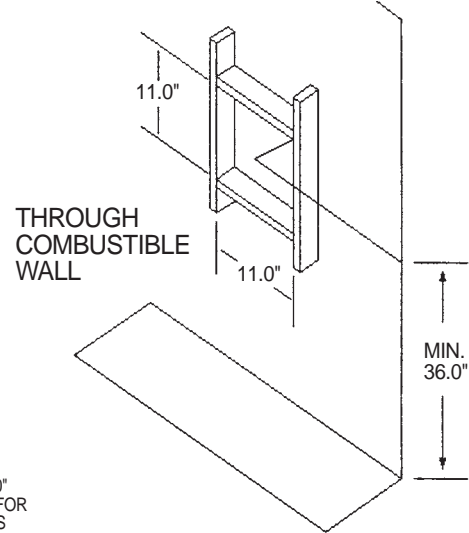


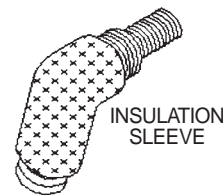
FIGURE 1

FRAMING DETAIL HORIZONTAL RUN WITH MIN. VERTICAL RUN



NOTE

Low profile enclosure 42.0" to 52.0" must maintain a minimum clearance of 2" from top of 7.0" flex pipe and insulation sleeve to bottom of combustible enclosure top. Insulation sleeve must be installed so that it covers 7.0" flex pipe from fireplace up and to wall sleeve.
Refer to Low Profile Enclosure Section for additional information.



INSULATION SLEEVE

FIREPLACE ASSEMBLY

Rear standoffs are equipped with nailing tabs. Level Fireplace nail or screw into place.

NOTE!

For Log, Crushed Rock and Glowing Ember installation refer to Log Placement Section.

NOTE: Clearance to back of unit and/or sides of unit framed into walls require 6" minimum clearance to combustibles. We recommend using two (2 x 4) studs placed against the wall as per framing diagrams. See Locating your Appliance, for additional information.

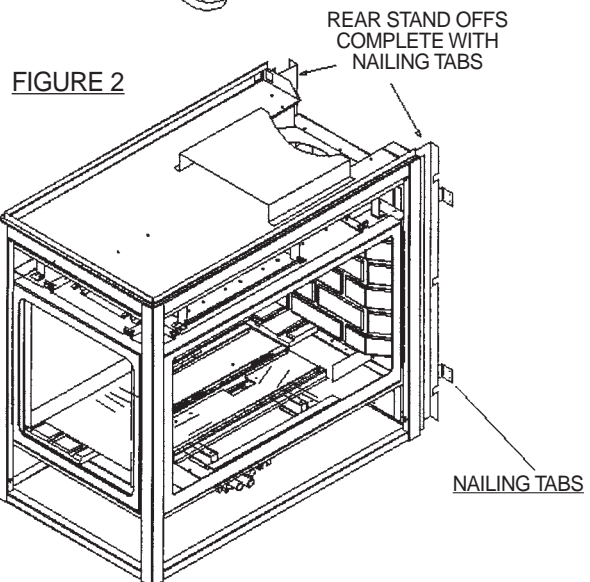
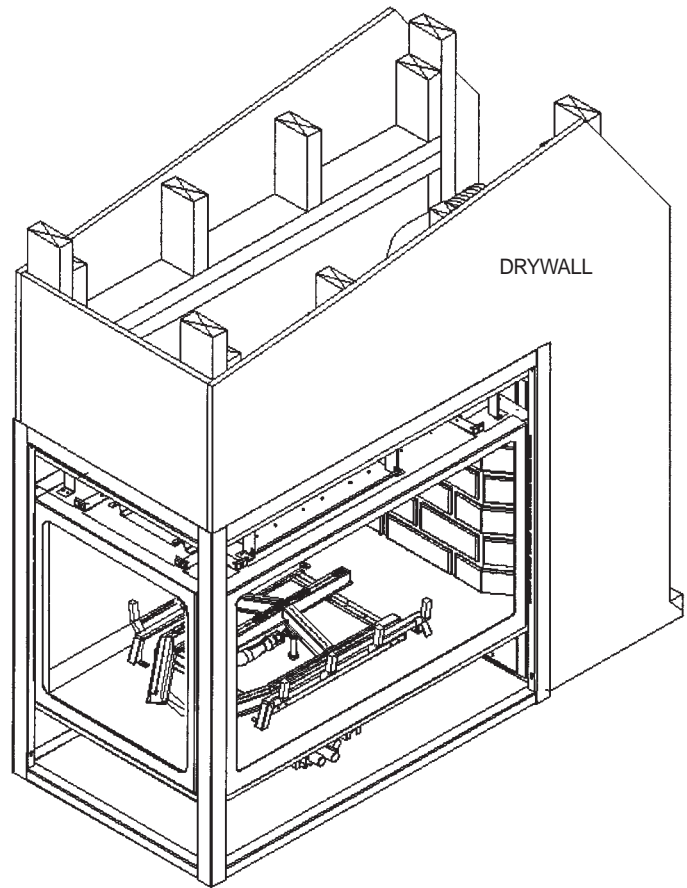


FIGURE 2

FACING MATERIAL INSTALLATION

Facing material. Example DRYWALL may be installed Flush with top of Fireplace.

Side facing to be installed to standoffs only.



Low Profile Enclosures - Louvered Unit Only

NOTE

INSULATION SLEEVE MUST COVER 7.0" FLEX PIPE FROM FIREPLACE UP AND TO WALL. SLEEVE FOR LOW PROFILE ENCLOSURES MAXIMUM 34.0".

LOW PROFILE ENCLOSURE 42.0" TO 52.0" MUST MAINTAIN A MINIMUM CLEARANCE OF 2.0" FROM TOP OF 7.0" FLEX PIPE AND INSULATION SLEEVE.

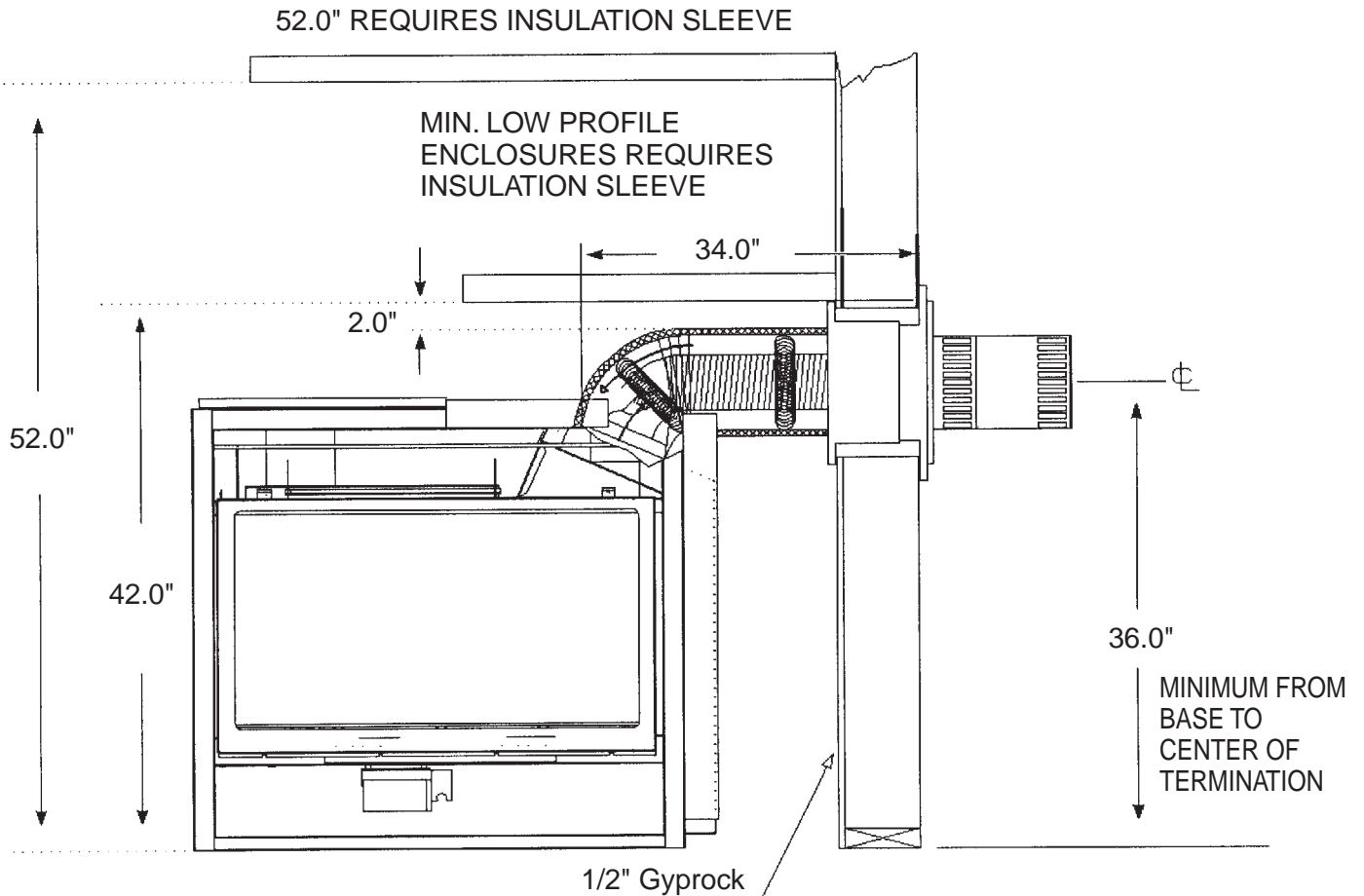
52.0" AND HIGHER ENCLOSURE MUST MAINTAIN 4.0" ABOVE 7.0" FLEX PIPE WITHOUT INSULATION SLEEVE.

NOTE: Clearance to back of unit and/or sides of unit framed into walls require 6" minimum clearance to combustibles. We recommend using two (2 x 4) studs placed against the wall as per framing diagrams. See - Locating your Appliance, for additional information.

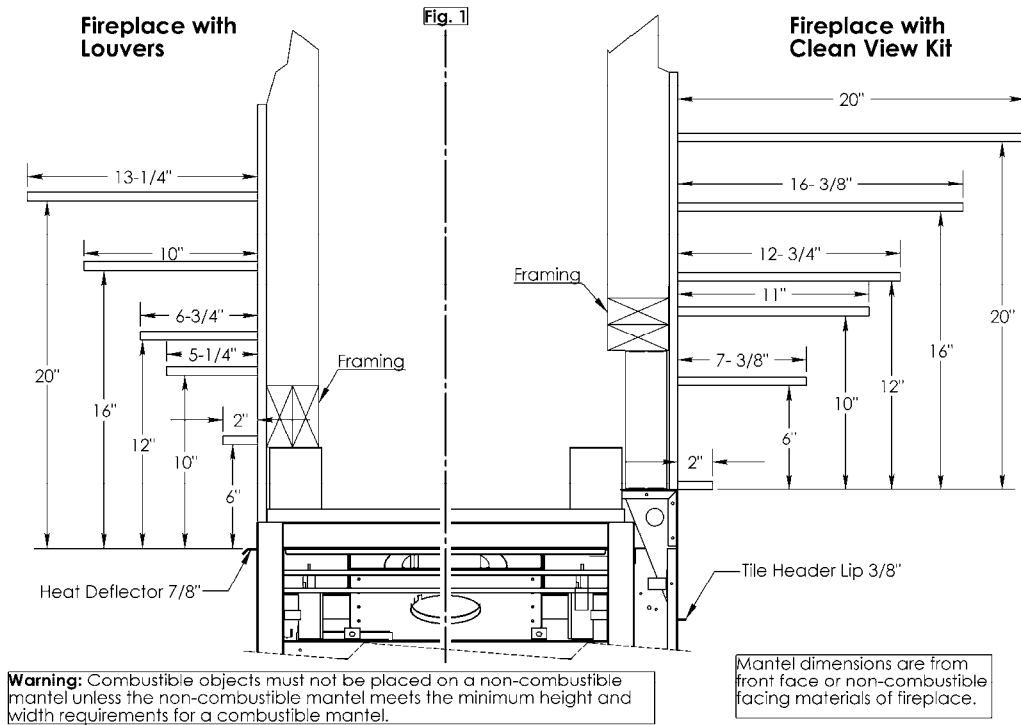
NOTE

WITH USING DURA-VENT PIPE AND ADAPTER MINIMUM HEIGHT OF 52.0" MUST BE MAINTAINED FOR PROPER CLEARANCES. INSULATION SLEEVE IS NOT REQUIRED. THIS WILL LEAVE A 4.0" MINIMUM CLEARANCE TO COMBUSTIBLE TOP.

For **Propane Horizontal Installations** the venting must be a minimum of one foot vertical off the flue before the elbow on any horizontal runs of one foot or greater. This allows for cleaner combustion and greatly reduces carboning and cleaning of glass. Does not apply to Back Flue models).



Clearances – MDV31 – Mantels & Surrounds

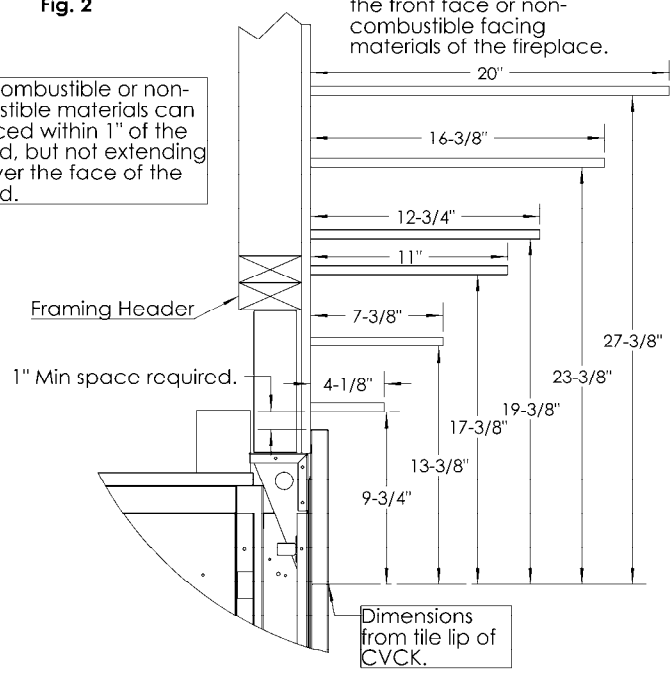


MDV31 Fireplace with Clean View Kit and MQ36SWF Surround

Fig. 2

Mantel dimensions are from the front face or non-combustible facing materials of the fireplace.

Note: combustible or non-combustible materials can be placed within 1" of the surround, but not extending to or over the face of the surround.

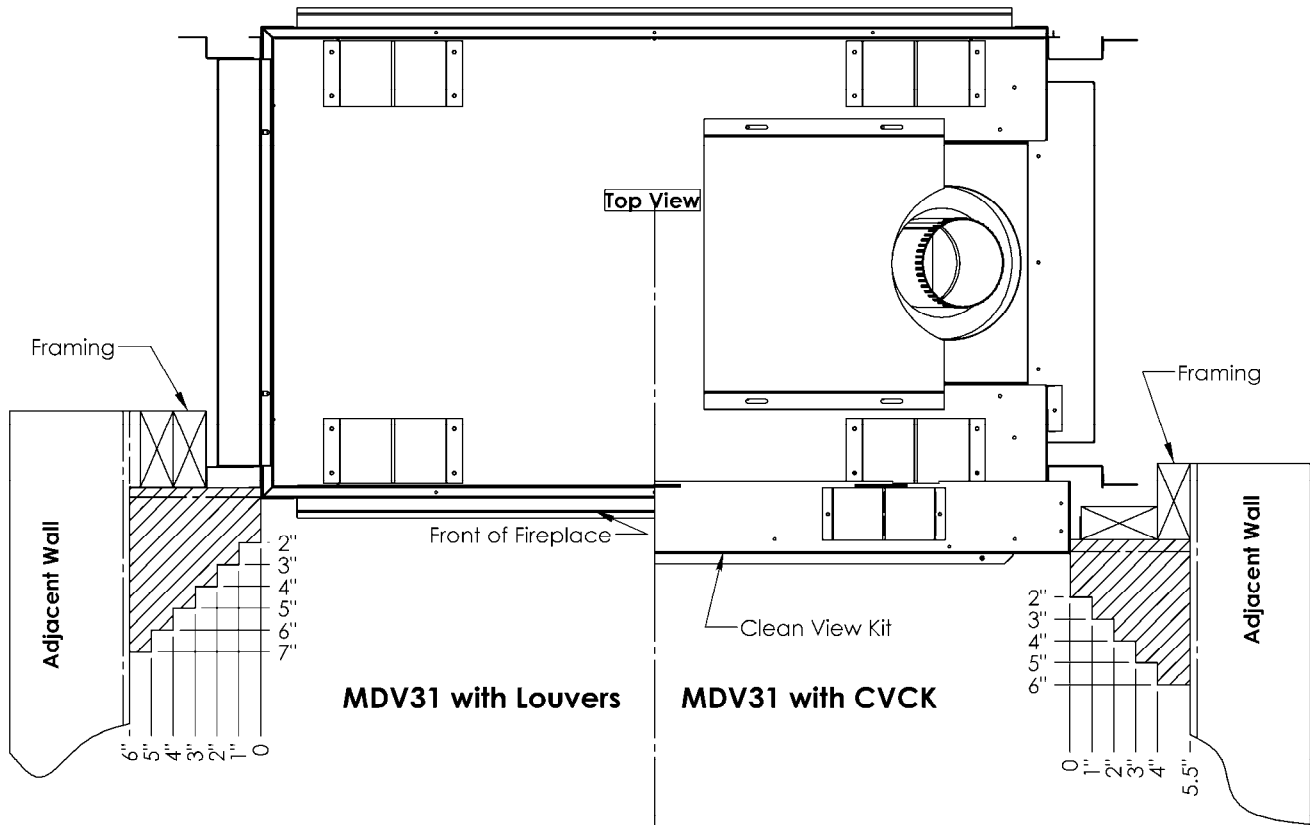


Caution: The CVCK must be flush with the wall.

Clearance to Combustibles

Back (of unit)	6 inches /152mm
Sides (of unit in framing)	6 inches /152mm
Vertical Pipe	1 inch /25mm
Back (from standoffs)	0 inches /0mm
Side (from standoffs)	0 inches /0mm
Floor	0 inches /0mm
Ceiling (from bottom of fireplace)	60 inches /152.4cm
Top of Horizontal Pipe	2.5 inches / 64mm
Top Framing from Standoff	0 inches /0mm
Louvered Units Only	
Top of 90° Bend No Sleeve, in Enclosure over 52"	4 inches /102mm
Bottom of Top Enclosure with Insulation Sleeve	42 inches /1067mm
In Low Profile Enclosures from 42" to 52"	12 inches /305mm
Top of Horizontal Pipe in Enclosure without Sleeve	
Top of Horizontal Pipe in Low Profile Enclosure with Insulation Sleeve	2 inches 51mm
MDV31 With Clean View Kit	
Top of 90° Bend No Sleeve, in enclosure over 81"	4 inches /102mm
Bottom of Top Enclosure with Insulation Sleeve	60 inches /152.4cm
Top of Horizontal Pipe in Enclosure with insulation Sleeve	4 inches /102cm

Mantel Leg Clearances



Note: For the installation of MQ36SWF Surround; Combustible or non-combustible materials can be placed within 1" of the surround, but not extending to or over the face of the surround.

Mantels

Depending on the depth of the fireplace mantel, it may be installed higher or lower from the top of the fireplace opening. See drawings for proper installation height of your combustible mantel. Non-combustible mantels may be installed at any height above the fireplace opening except when using the MQ36SWF Surround.

Non-combustible materials such as brick, tile, etc. can extend up to or over the front face of the fireplace (**No portion of grill area or door areas can be covered**) except where designer Clean View Kit is used.

Combustible material can extend flush to the unit up to the top, bottom, and sides of the fireplace up to the stand-offs. For combustible materials extending in front of the fireplace consult (Mantel and Mantel Leg Drawings).

Surrounds

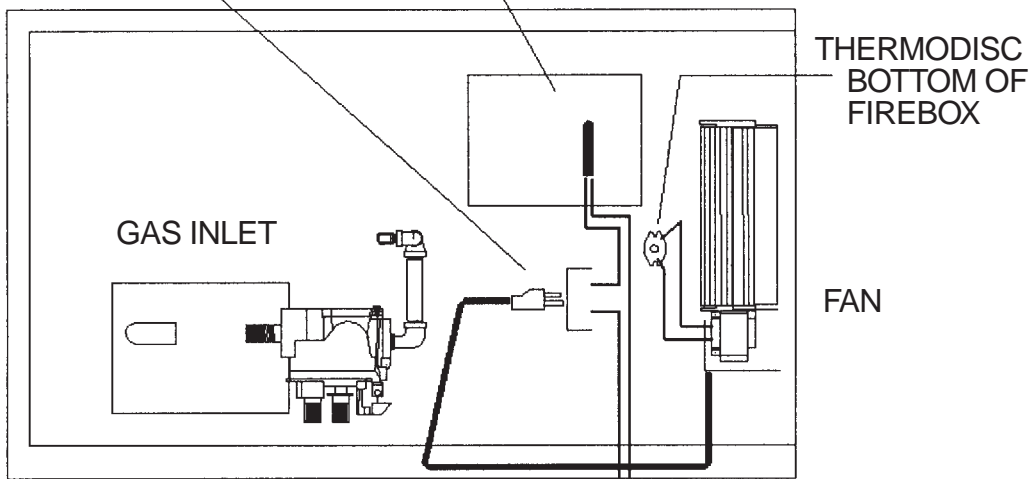
If installing wide or slim line surrounds, the finish materials must be flush with the front facing of the fireplace.

Note: When using paint or lacquer to finish the mantel, such paint or lacquer must be heat resistant (250°F) to prevent discoloration.

Fan Kit Installation

SUGGESTED LOCATION FOR 120V
JUNCTION BOX FOR FAN KIT

SUGGESTED LOCATION FOR 120V
POWER CABLE



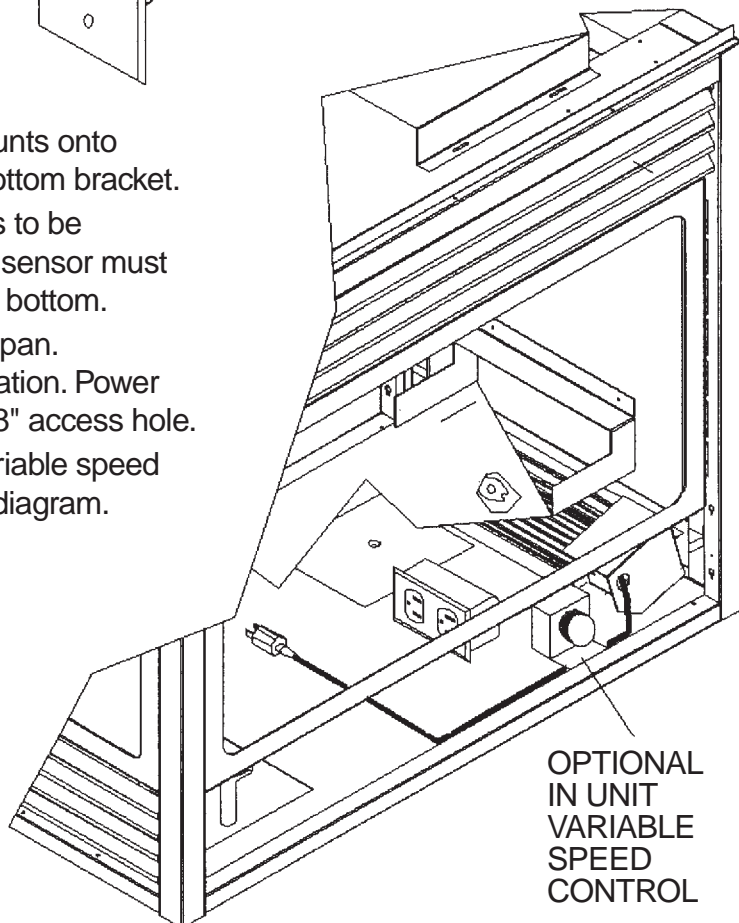
WALL MOUNTED
VARIABLE SPEED
CONTROL

THERMODISC
BOTTOM OF
FIREBOX

FAN

L/H FIREPLACE SHOWN

1. To install fan slide key hole mounts onto both #8 screws, located rear bottom bracket.
2. The sensor (thermodisc) needs to be secured under the firebox. The sensor must be in direct contact with firebox bottom.
3. Install a junction box to bottom pan. Refer to diagram for proper location. Power cable to be routed through 6"x8" access hole.
4. Connect power, sensor and variable speed wall switch as shown in wiring diagram.



OPTIONAL
IN UNIT
VARIABLE
SPEED
CONTROL

Split Receptacle- Fan Speed Control Outside of Fireplace

If you plan to locate the variable speed control switch for the fan outside of the fireplace and you require a constant source of AC power inside the unit for another accessory such as lights or an IPI valve system, follow one of the procedures below.

⚠ WARNING

A qualified electrician must connect electrical wiring to junction outlet for built-in installation.

Follow all codes.

⚠ WARNING

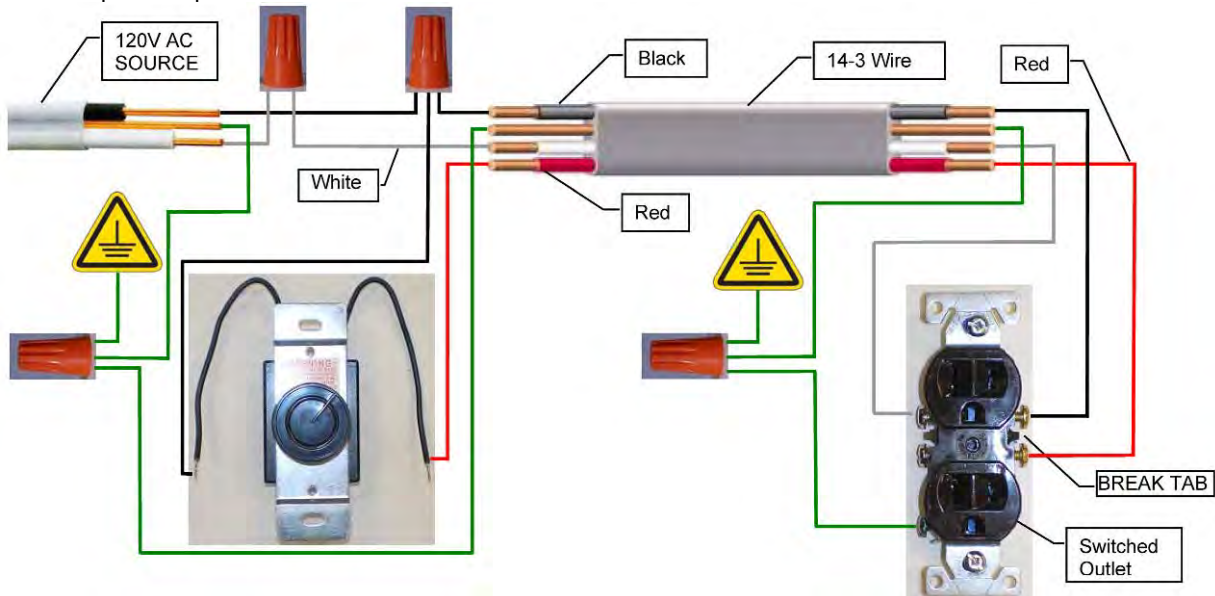
Electrical Grounding Instructions –
This appliance is equipped with a three – pronged (grounding) plug for your protection against shock hazard and should be plugged directly into a properly grounded three-prong receptacle.

⚠ WARNING

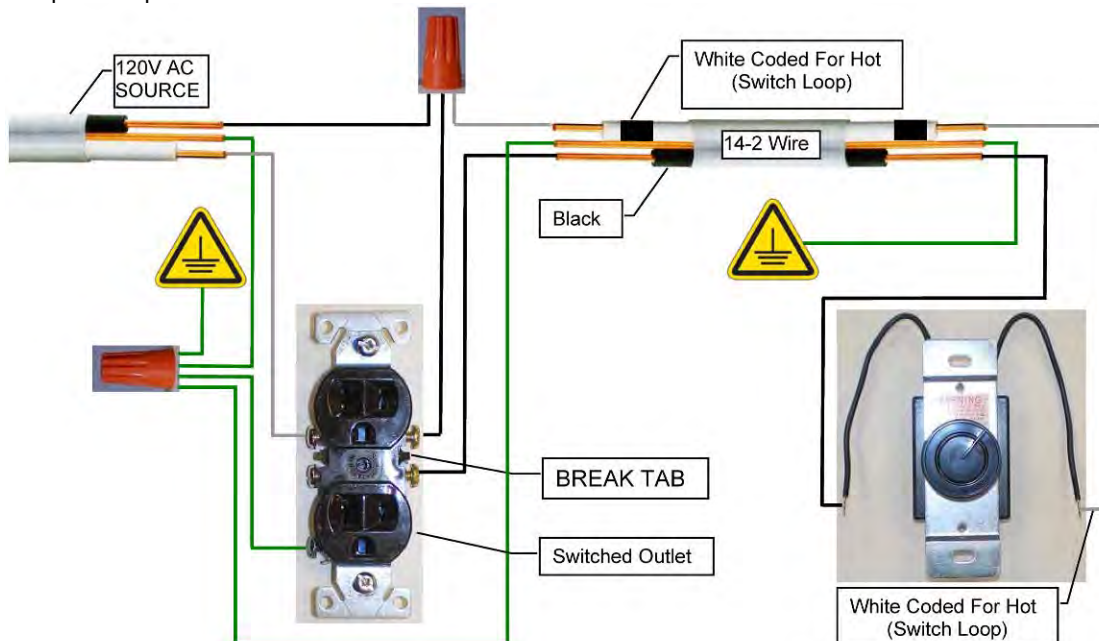
Label all wires prior to disconnection when servicing controls. Wiring errors can cause improper and dangerous operation. Verify proper operation and servicing.

⚠ Caution: Electrical installation to be done by a qualified installer. All wires must be connected and grounded in accordance with CSA Standard C22.1- Canadian Electrical Code part 1 or with the National Electrical Code, ANSI /NFPA 70 (latest edition) and /or in accordance with local codes.

Switch Controlled Split Receptacle With Switch At START Of Cable Run



Switch Controlled Split Receptacle With Switch At END Of Cable Run

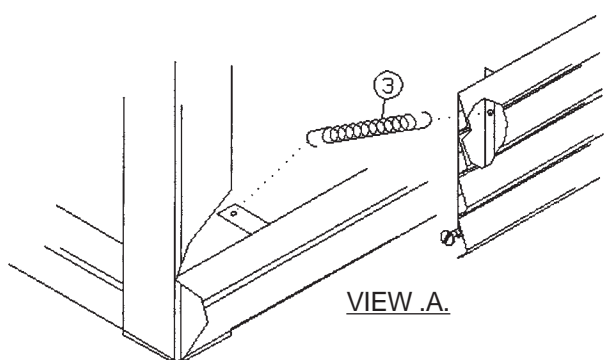
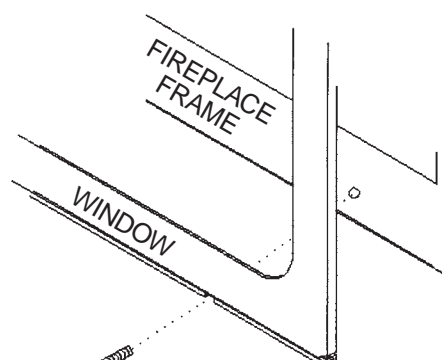
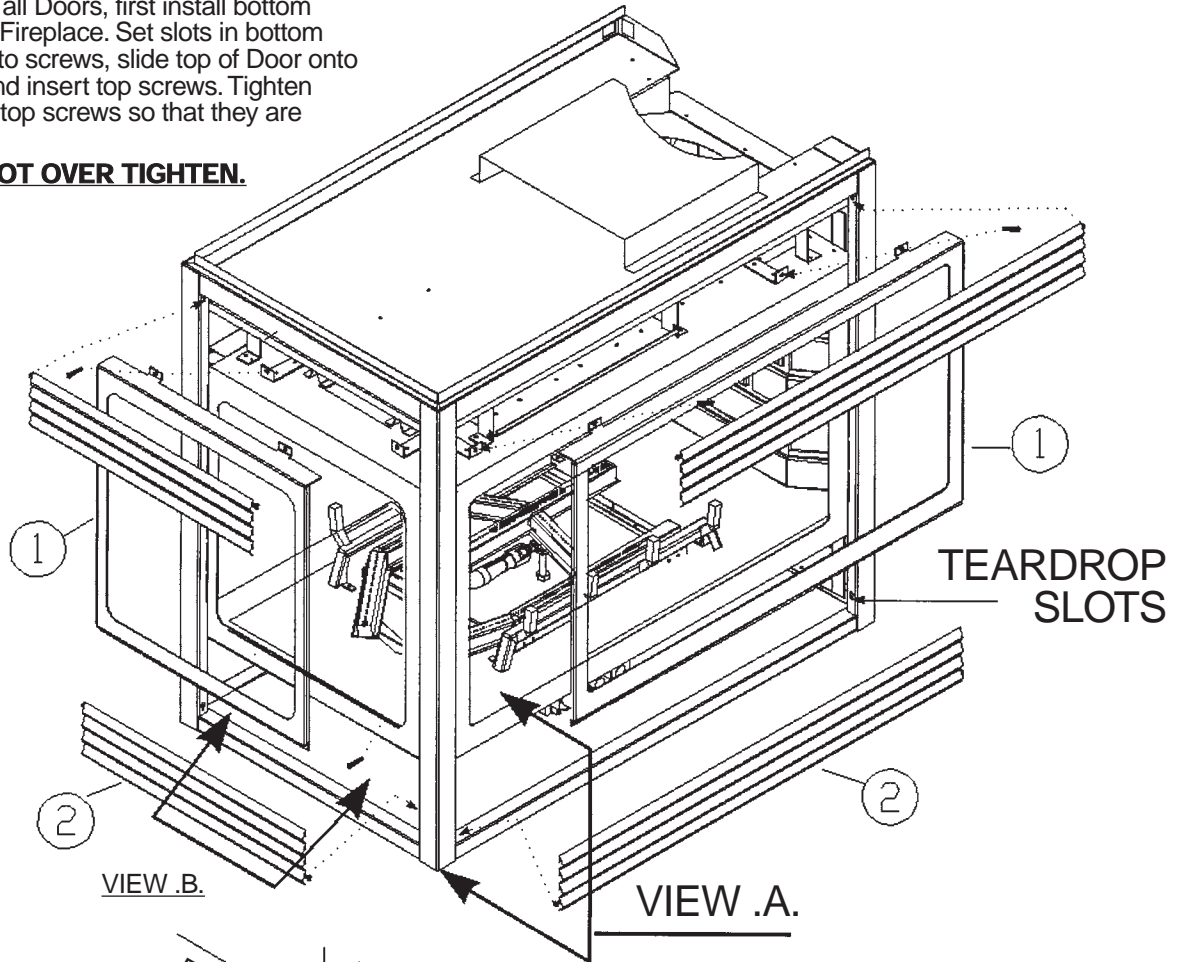


Door and Grill Installation

DOOR ASSEMBLY

To install all Doors, first install bottom screws into Fireplace. Set slots in bottom of Doors onto screws, slide top of Door onto Fireplace and insert top screws. Tighten bottom and top screws so that they are snug.

DO NOT OVER TIGHTEN.



GRILL ASSEMBLY

1. In both top and bottom inside corner posts there are Teardrop slots. As shown in diagram.
2. On Grills there are screws in both ends. To install slide the head into one of the teardrop slots, then slide Grill to opposite side, repeat procedure. These screws may have to be adjusted for proper alignment and length.
3. All Grills have screws in top part of Grill with exception to lower Grill for Gas Valve access. This Grill will fit either side depending on L/H or R/H Fireplace installation. The Grill for Gas Valve access requires the installation of 2 springs on both ends. Refer to VIEW .A. for proper installation.

LOGC31 Placement Guidelines for Model MDV31/39



Warning: Failure to position the parts in accordance with these diagrams or failure to use only parts specifically approved with this appliance may result in property damage or personal injury.

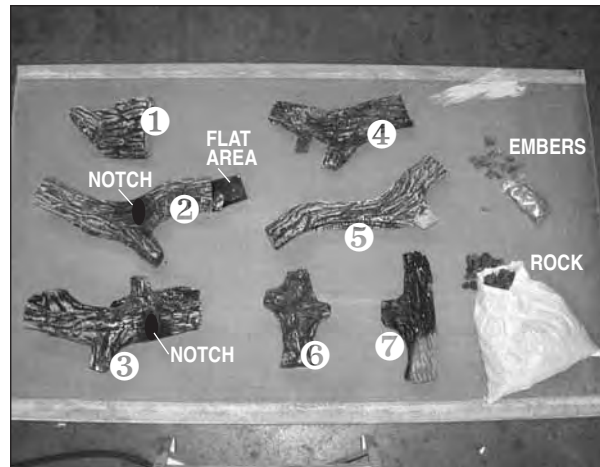


Photo 1

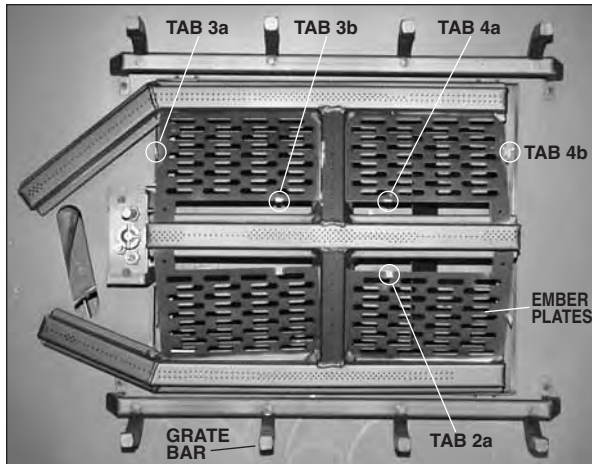
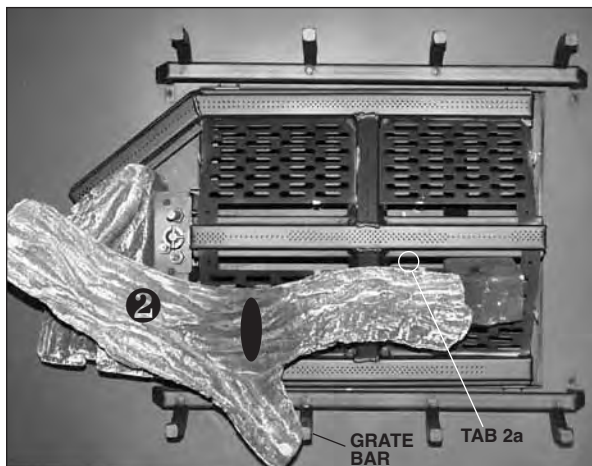


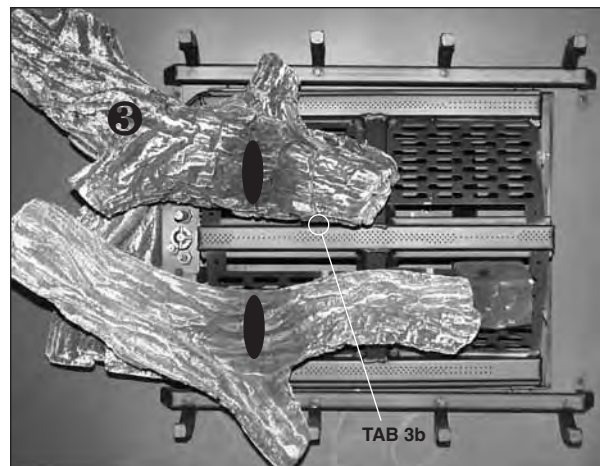
Photo 2



Step (1) Place notch area of Log #1 up against pilot assembly.



Step (2) Place flat area of Log #2 up against Tab 2a and rest short branch onto second grate bar.

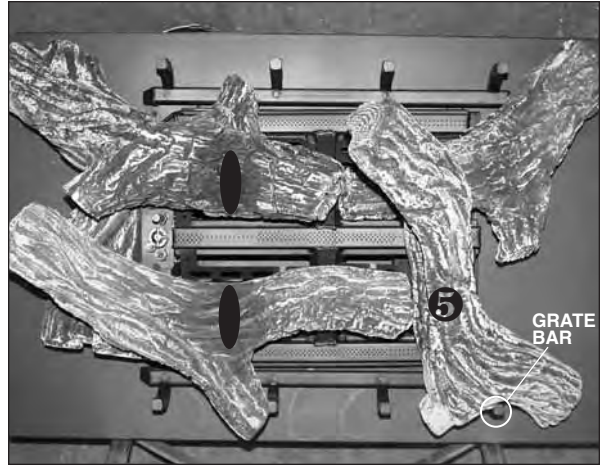


Step (3) Locate mounting hole, bottom of Log #3 onto Tab 3a and have char area touch Tab 3b.

LOGC31 Placement Guidelines for Model MDV31/39 (continued)



Step (4) Locate the two mounting holes on the bottom Log #4 and position them onto Tabs 4a - 4b.



Step (5) Place 'V' area of Log#5 onto grate bar and rest log onto flat area of Log #2.



Step (6) Position Log #6 up against Logs 4 and 5 and place flat area of log on floor of fire box.



Step (7) Locate notched areas of Logs #2 and 3 and place Log #7 onto these. If sooting occurs on Log #7 it may be removed.



Step (8) Place embers onto ember plates and front burner tubes. Place rocks onto bottom of firebox.

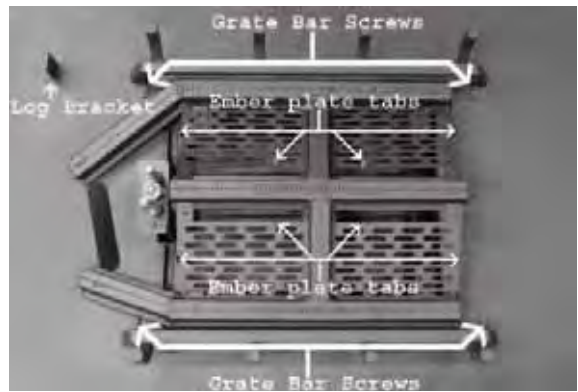
MQRSP7 Rock Support Platform and MQROCK1 for Models MDV31/39



Warning: Failure to position the parts in accordance with these diagrams or failure to use only parts specifically approved with this appliance may result in property damage or personal injury.



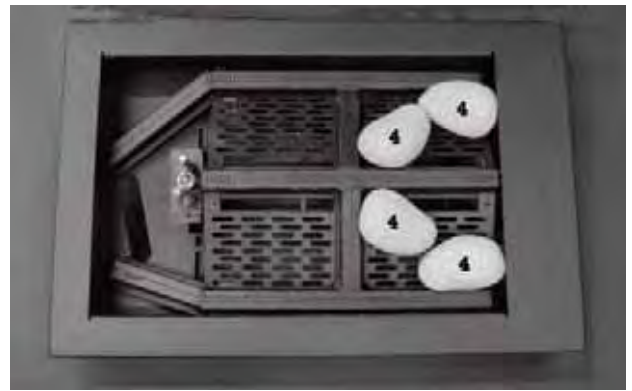
MQRSP7



Remove grate bars, log bracket, and bend down all the ember plate tabs.



Place MQRSP7 Rock support platform into place around the burner as shown.



Step 1: Place rocks #4 into position as shown. **Do not place rocks directly over top of the burner tube.**



Step 2: Place rocks #6 into position as shown.



Step 3: Place rocks #4 into position as shown. Using the 2 #4's highlighted, place them over the single porting crossover area as shown.

MQRSP7 Rock Support Platform and MQROCK1 for Models MDV31/39



Step 4: Place rocks #1 into position as shown.



Step 5: Place rocks #3 and #6 into position as shown.



Step 6: Place rocks #3 into position as shown. Place the rock #3 that is highlighted over the single porting crossover area as shown.



Step 7: Place rock #1 into position as shown.



Finished setup and burn

If too much flame impingement on the rocks causes sooting, you may have to move or remove one or more rocks. **Do not place rocks directly over top of the burner tube.**

Accessories Available for Skyline & ZDVRB3622 Ribbon Burner Units

ACCESSORY ITEM	MQRB3328	MQRB3632	MQRB4236	ZDVRB3622
Silica Sand	5LB Bag c/w Unit	5LB Bag c/w Unit	Not Available	Not Available
White Glass MQG5W	Yes / 5LB MAX	Yes / 5LB MAX	5LB Bag c/w Unit	MQ Dealer Only
Bronze Glass MQG5C	Yes / 5LB MAX	Yes / 5LB MAX	Yes / 5LB MAX	5LB Bag c/w Unit
Cobalt Blue Glass MQG5A	Yes / 5LB MAX	Yes / 5LB MAX	Yes / 5LB MAX	MQ Dealer Only
Black Glass MQG5B	Yes / 5LB MAX	Yes / 5LB MAX	Yes / 5LB MAX	MQ Dealer Only
MQROCK2	Yes	Yes	Yes	MQ Dealer Only
MQROCK3	Yes	Yes	Yes	MQ Dealer Only
MQRBD1	Yes	Yes	Yes	MQ Dealer Only
MQSTONE	Yes	Yes	Yes	MQ Dealer Only
MQEMBER	Yes	Yes	Yes	MQ Dealer Only
ULK2	Yes	Yes	Yes	Yes

• **SILICA SAND**- Silica Sand may be spread across the False Bottom if desired. **Note:** -Silica Sand may be used with or without other accessories.

• **GLASS (MQG5W, MQG5C, MQG5A, MQG5B)**- If you wish to use this media evenly spread the glass embers onto the false bottom and burner. Ensure the glass embers do not excessively overlap as this will affect the flame pattern. Use care when placing glass embers near the pilot area so as not block or have the glass fall over the crossover holes from the pilot to the burner, as delayed ignition can occur.

The following types of glass are approved:

- ½" Ember Glass Material from American Fireglass.

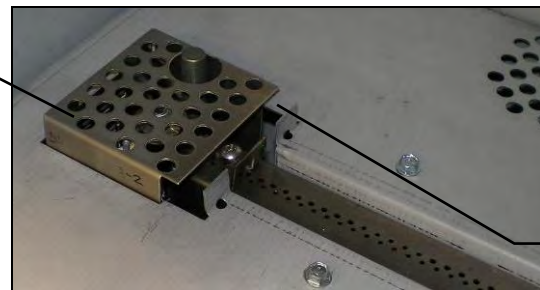
Maximum amount: Natural Gas is 5 lbs, Propane units 5 lbs.

- Liquid Glass from Firegear.

Maximum amount: Natural gas is 5 lbs, not recommended for Propane appliances.

⚠ WARNING

- Pilot Area Must **Not** Be Covered, as delayed ignition can occur.
- Do not change or substitute the glass ember material provided with this fireplace. If replacing, use only replacement glass embers available from your local authorized dealer.



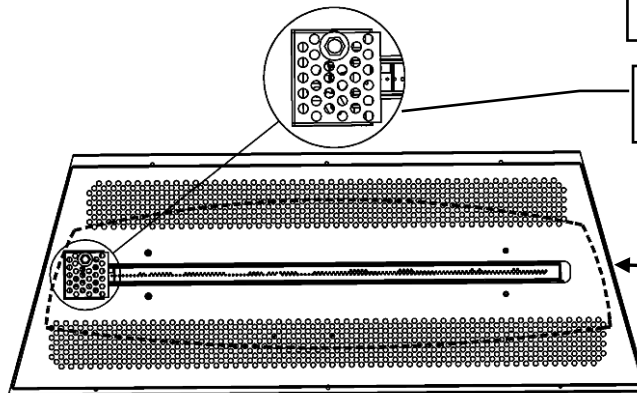
Pilot Area Must **Not** Be Covered



Use of any other glass can alter the performance of the unit and is not covered under warranty.

Discoloration of glass media may occur if placed on the burner, this is not covered under warranty.

*Pilot Shield should be visually inspected monthly for signs of deterioration due to flame exposure. Replace if necessary.

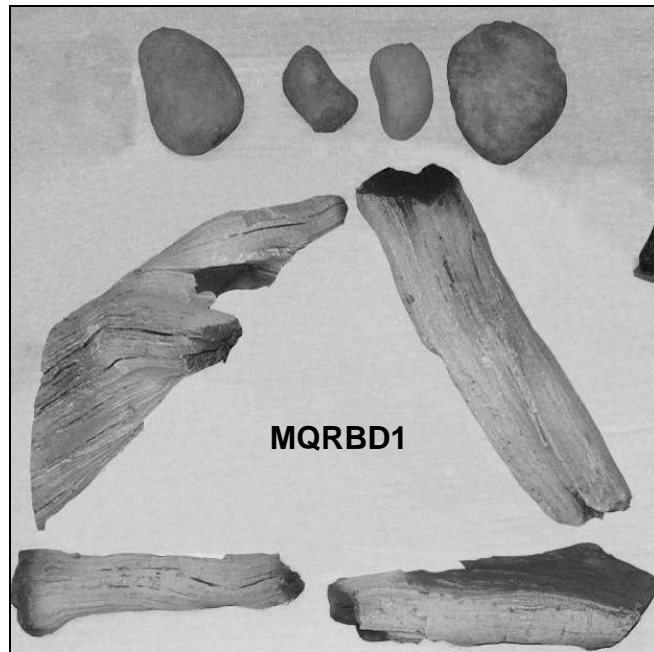
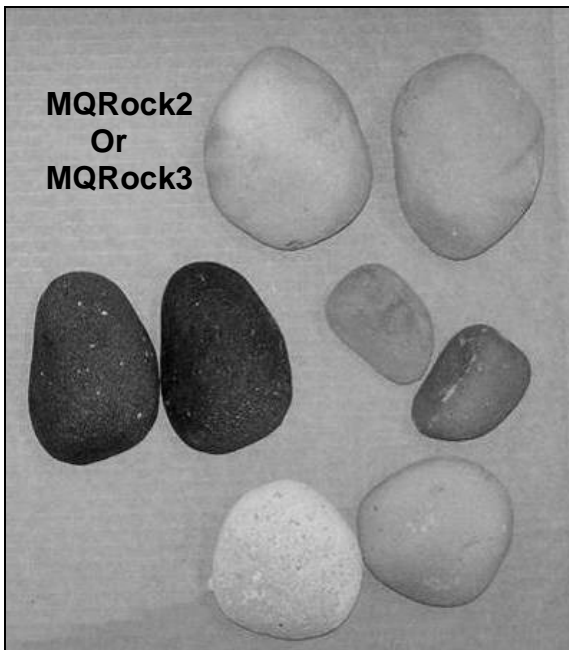


Pilot Area Must **Not** Be Covered

Glass Ember placement for ZDVRB3622 & MQRB4236.

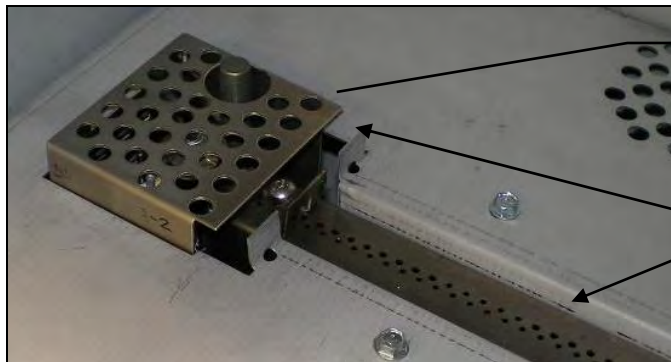
Leave 3-4 rows of perforations uncovered at the front and back of the false bottom. Covering all the perforations at the back may cause flame to pull backward.

- **MQROCK2, MQROCK3, MQRBD1** - Place rocks randomly onto False Bottom. Be careful not to cover any part of the Burner Tube as sooting may occur.



⚠ NOTE

- Pilot Area Must **Not** Be Covered, as delayed ignition can occur.
- Do **Not** Cover any part of the burner tube with rocks or logs as sooting may occur.
- In some positions, Logs can cause flame pattern to roll backward, causing sooting. If this occurs, re-position Logs.



*Pilot Shield should be visually inspected monthly for signs of deterioration due to flame exposure. Replace if necessary.

**Burner Tube & Pilot Area
Must Not Be Covered.**

- **MQ STONE DECORATIVE STONE SET**- Place Stones onto False Bottom and Burner Tube randomly. Do Not stack or overlay when placing on Burner Tube. Do Not cover Pilot Area. Not all stones will be used on some models.
- **MQEMBER**- Place these glowing ember chunks randomly. Embers may be used with or without other accessories.
- **ULK2 UNIVERSAL LIGHT KIT (Optional Accent Lighting Kit)**- See separate installation page.

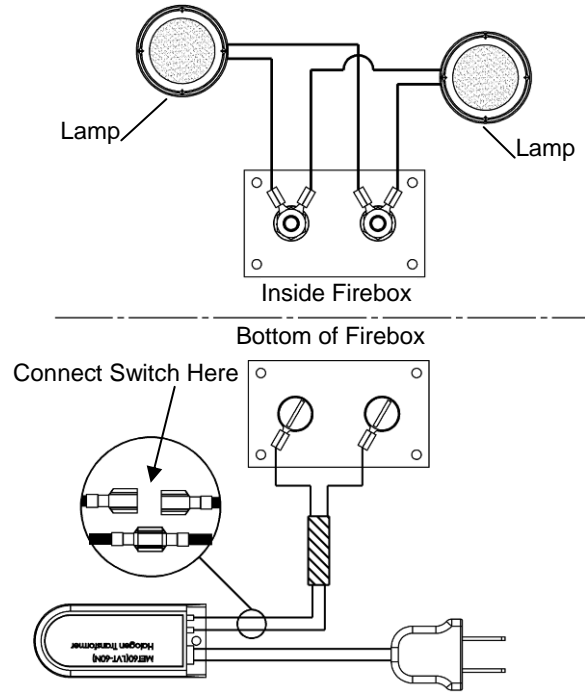
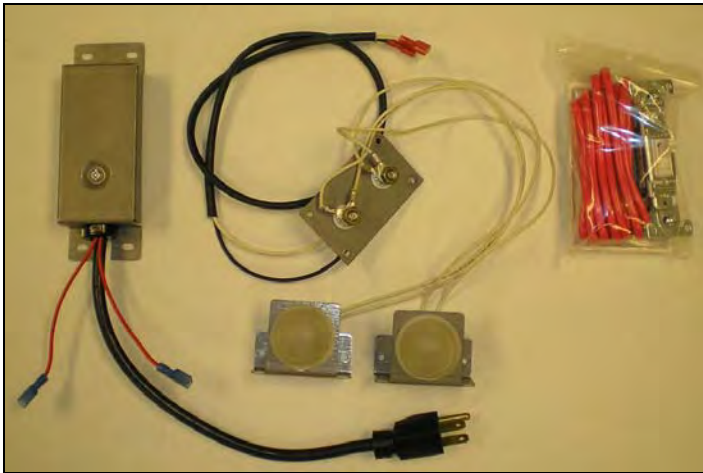
ULK2 Universal Light Kit (Optional Accent Lighting Kit)

For the Skyline Series (MORB3328, MORB3632, MORB4236) and Kingsman ZDVRB3622

Please follow the current ANSI/NFPA 70 National Electrical Code in the USA and CAN/CSA C22.1 Canadian National Electrical Code in Canada.

Contents of Kit:

- [2] 12V Halogen Lamps
- Lamp Plate with Insulated Studs & wiring
- 12VAC Transformer with 3 prong plug & wire connectors
- Light Switch & Cover Plate c/w10ft wire



INSTALLATION:

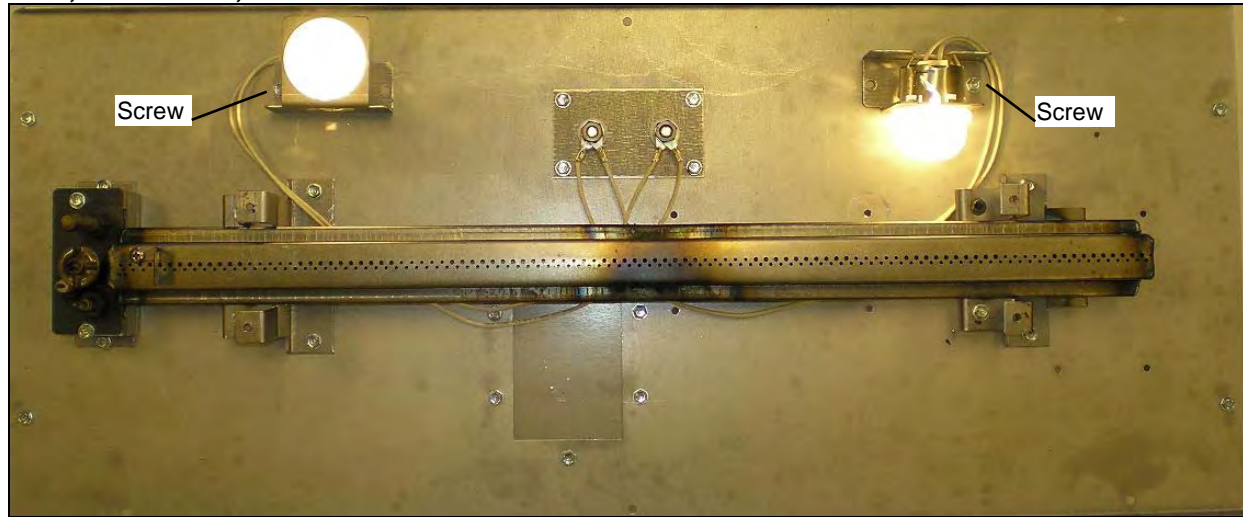


STEP 1: Remove false bottom to expose burner tube. Remove burner tube and cover plate as above. Remove old sealant from opening.

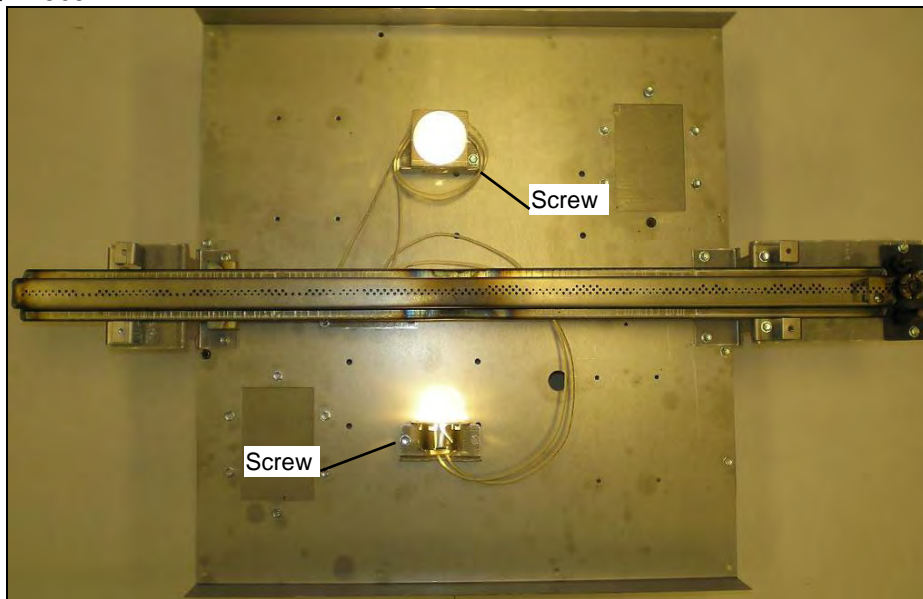


STEP 2: Insert lamp wires through access hole in firebox as above. Apply new sealant (Mill-Pac). Secure Lamp Plate with screws.

MQRB3328, ZDVRB3622, & MQRB4236



MQRB3632



STEP 3: Place Lamps in position in firebox. Attach to fireplace with a single screw at the locations shown above for each unit. Lamps can be placed facing upward or sideways. Replace burner tube and false bottom, along with pilot shield.



STEP 4: Connect switch wires between lamp wire and transformer (see schematic). Connect remaining lamp wire to transformer. Transformer can then be plugged in and the housing fastened to the bottom of the fireplace.



Glass may be used to cover perforations in false bottom

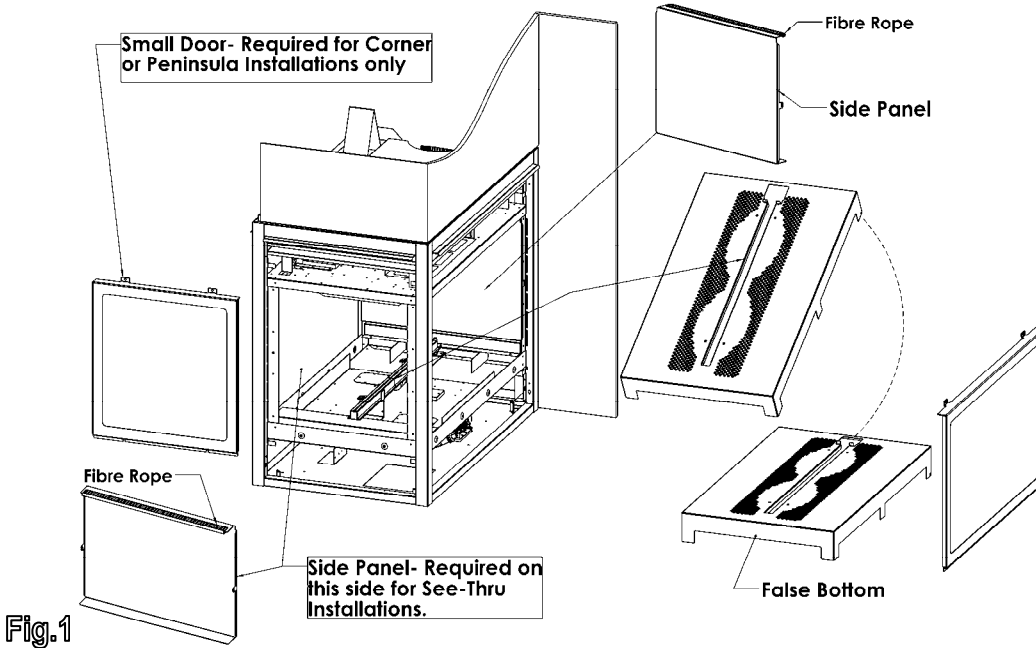
Installing MQRB 3632 Liner Panels

There are several types of Liner Panels available for the MQRB3632:

- Flat Black False Bottom and Side Panels, -Supplied with Unit
- Porcelain Side Panels- **MQRB36PL**

Removal of Liner Panels

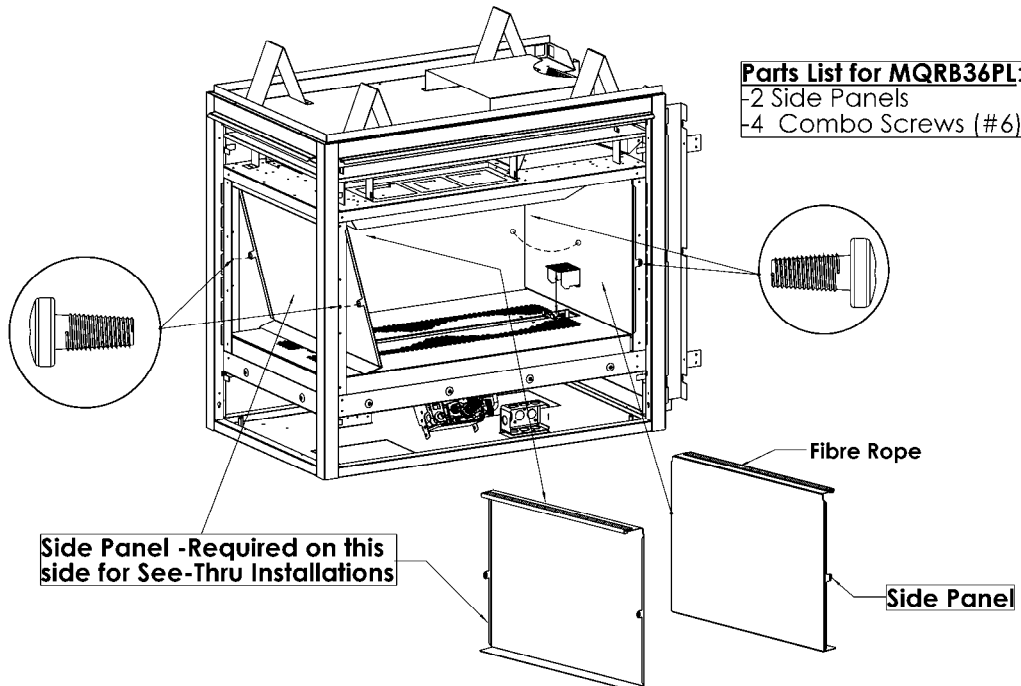
1. Remove all Doors from the fireplace by loosening bottom screws and removing the 2 screws on top of the unit.
2. Remove Side Panel(s) from inside of Firebox. (See **Fig.2** at bottom of page).
3. Remove screws from False Bottom and lift out of Firebox (See **Fig.1** below).



⚠ Note: Warping and Discoloration of Porcelain or Painted Metal Liners Is Not Covered Under Warranty.
Both Porcelain and Painted Metal Liners may discolor and warp during normal operation of your appliance. This is normal, and not considered a defect.

Installation of Porcelain MQRB3632 Liner Panels.

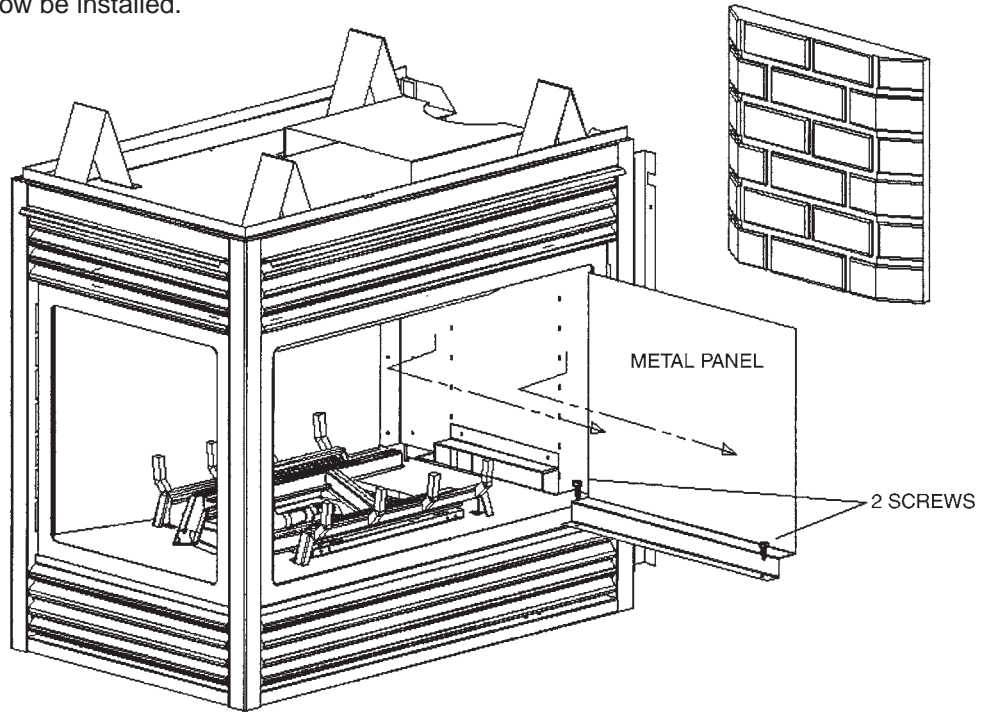
1. Slide Side Panel(s) into place (See **Fig.2** below). Ensure fibre rope is on top.
2. Insert and tighten provided screws. Replace the Doors.



Brick Panel Installation

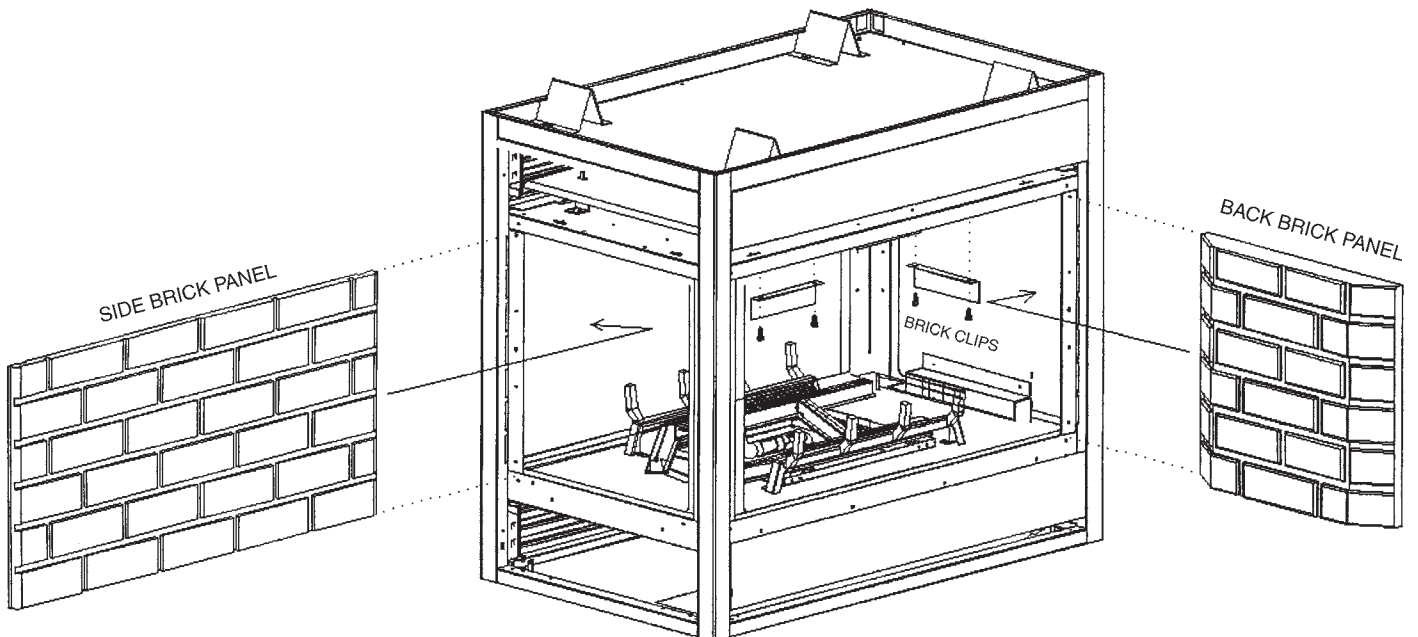
REMOVAL OF METAL PANEL BEFORE INSTALLING REAR BRICK PANEL

1. Locate 2 screws on bottom rear of unit holding metal panel to firebox bottom, remove the 2 screws and discard.
2. Hold metal panel by the bottom and pull forward and down at the same time. This will release the panel from the holder at the top of the unit. Discard metal panel.
3. The brick panel can now be installed.



OPTIONAL BACK AND SIDE BRICK PANEL INSTALLATIONS

1. Remove side brick clip located on top of firebox.
 2. Slide side brick panel into firebox through the small side opening and center from left to right and push tight against side wall of firebox.
 3. Place brick clip back into position and tighten.
1. Remove back brick clip located on top of firebox.
 2. Slide back brick panel into firebox through the large side opening and center from left to right and push tight against side wall of firebox.
 3. Place brick clip back into position and tighten.



Burner and Valve Removal Instructions



Warning: Failure to position the parts in accordance with these diagrams or failure to use only parts specifically approved with this appliance may result in property damage or personal injury.

for Models MDV31/39

BURNER REMOVAL AND REPLACEMENT

1. Turn OFF the Gas and Electric Power before servicing the Fireplace.
2. Remove doors. Remove end, back or side bricks, this depends on type of Fireplace installation. Remove all Crushed Rock and Glowing Embers. Vacuum inside of Fireplace for remaining dust particles. FIGURE 1.
3. Lift and remove Burner Deflectors from Burner. Slide Burner away from back of Fireplace until it clears orifice. Lift and remove Burner.

DO NOT force up or sideways, as this may damage Venturi. FIGURE 2.

4. To replace, reverse procedure.

VALVE REMOVAL AND REPLACEMENT

1. To remove Valve first follow Burner instructions.
2. Remove GAS line and Deflector Pan.
3. To remove Valve Pan, first remove self tapping screws, then using a knife slide it between Pan and Firebox bottom. This will separate the High Heat Silicone bond. Carefully remove Pan and Valve from Fireplace. FIGURE 3.
4. To replace, first clean any Silicone from Firebox bottom. Reapply Fresh HIGH HEAT SILICONE as in Figure 3 and reverse all procedures.

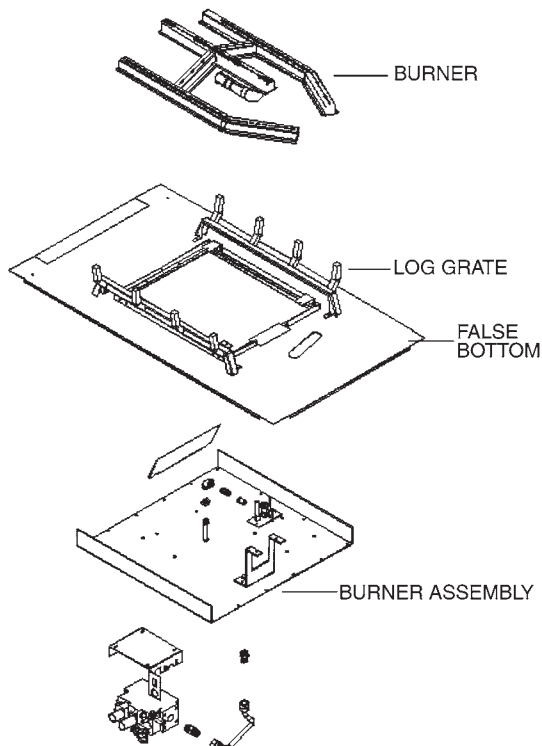


FIGURE 1

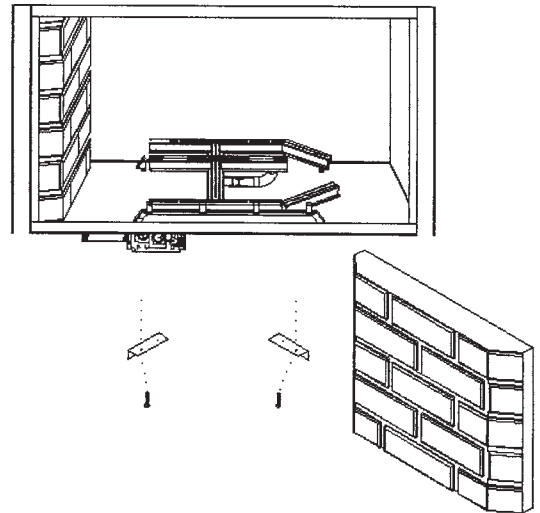


FIGURE 2

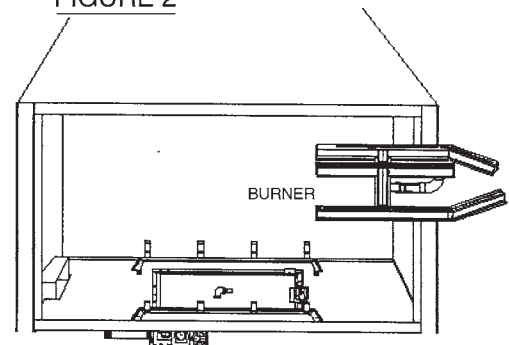
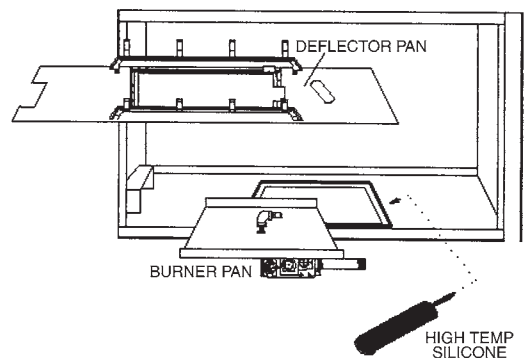


FIGURE 3

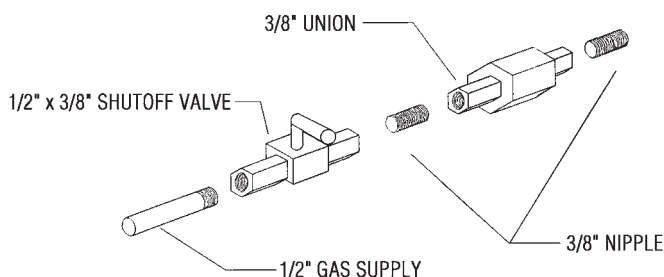


Gas Line Installation

This gas appliance should be installed by a qualified installer in accordance with local building codes and with current CAN/CGA - B149.1 or .2 installation codes for Gas Burning appliances and equipment in Canada and the National Fuel Gas Code ANSI Z223 in the U.S.A.

1. The gas pipeline can be brought in through either the right or the left side of the appliance. A knockout is provided at either location to allow for the gas pipe installation and testing of any gas connection.
2. The gas control inlet is 3/8" NPT. Typical installation layout for rigid pipe is shown at right.
3. When using **copper** or **flex connector**, use only approved fittings. Always provide a union so that gas line can be easily disconnected for burner or fan servicing. See gas specification for pressure details and ratings.
4. When a vertical section of gas pipe is required for the installation, a condensation trap is needed. See CAN/CGA-B149.1 or .2 for code details.
5. For natural gas, a minimum of 3/8" iron pipe with gas minimum pressure of 4.5 w.c. must be used for supply from the gas meter. Consult with the local gas utility if any questions arise concerning pipe sizes.
6. A 1/8" NPT plugged tappings are accessible for test gauge connection both on the inlet and outlet of the gas valve.
7. Turn the gas supply ON and check for leaks. **DO NOT USE OPEN FLAME FOR THIS PURPOSE.** Use an approved leak testing solution.
8. The appliance and its individual shutoff valve must be disconnected from the gas supply piping system during any pressure testing of that system at test pressures in excess of 1/2 PSIG (3.5 KPa).
9. The appliance must be isolated from the gas supply piping system by closing its individual shutoff valve during any pressure testing of the gas supply piping system at test pressures equal to or less than 1/2 PSIG (3.5 KPa).

Note: The gas line connection may be made of 1/2" rigid pipe or an approved flex connector. Since some municipalities have additional local codes, it is always best to consult your local authorities and the current CAN/CGA - B149.1 or .2 installation code in Canada or the National Fuel Gas code ANSI Z223.1 in the U.S.A.



Important: Always check for gas leaks with a soap and water solution. Do not use open flame for leak testing.

	MDVR31LP	MDVR31NG	MDVR39NG	MQRB	
Model	MDVL31LP	MDVL31NG	MDVL39NG	3632N	3632LP
Fuel	Propane	Natural		Natural	Propane
Orifice Size	#51	#36	#30	#36	#49
Air Shutter	1/4"	3/32"	3/16"	1/16"	5/16"
Input BTU/hr					
HI	30,000	30,000	39,000	30,000	30,000
LO	25,000	22,500	26,000	22,500	25,000
Gas Inlet Size	S.I.T. 820 Nova, 3/8" NPT				
Gas Supply Pressure	Minimum	Normal	Maximum		
Natural Gas [in.w.c.]	5.5"	7"	9"		
Propane [in.w.c.]	11"	11"	12"		
Manifold Pressure	Nat. Gas	Propane			
HI [in.w.c./kPa]	3.5"/0.87	10"/2.61			
LO [in. w.c./kPa]	1.6"/0.40	6.3"/1.57			

For the state of Massachusetts a **T-handle gas shut-off valve** must be used on a gas appliance. This T-handle gas shut-off valve must be listed and approved by the state of Massachusetts. This is in reference to the state of Massachusetts state code CMR238.

General Glass Information

Glass Cleaning

It will be necessary to clean the glass periodically. During start-up, condensation, which is normal, forms on the inside of the glass and causes dust, lint etc. to cling to the glass surface. Also, initial paint curing can deposit a slight film on the glass. It is therefore recommended that initially the glass be cleaned two or three times with non-abrasive common household glass cleansers and warm water. After that, the glass should be cleaned two or three times a season depending on the circumstances.



Warning and Cautions.

- Do not clean when the glass is hot.
- Do not use abrasive cleaners.
- Using a substitute glass will void all product warranties.
- Do not strike or abuse glass. Care must be taken to avoid breakage of the glass.
- Do not operate this fireplace without the glass front or with a broken glass.

Glass Replacement

REPLACEMENT GLASS FOR BOTH DIRECT VENT UNITS

Model MDV30 or MDV31 Series can use either tempered glass or Robax ceramic or coated Neoceram glass. Must be 5 mm thick.

Only Robax ceramic or coated Neoceram glass may be used for replacement for model MDV38/MDV39 Series. Must be minimum 5mm thick.

Removal of the Glass Door

1. Remove the two screws located behind upper grill.
2. To remove, pull frame forward and lift from bottom door retainer.
3. To replace glass, clean all materials from door frame. Using a high heat silicone (temperature-resistant to 500°F (260°C)) apply a bead of approximately 1/32" to all four sides of frame and insert glass with new gasket. Frame should be on flat surface, with a small amount of weight pressing glass into silicone. Let dry approximately 15 to 20 minutes. The door can be re-installed by reversing Steps 1 & 2.

Millivolt System, Lighting, and Burner Control

FOR YOUR SAFETY READ BEFORE LIGHTING

WARNING: If you do not follow these instructions exactly, a fire or explosion may result causing property damage, personal injury or loss of life.

BEFORE LIGHTING

- | | |
|--|--|
| <p>A This appliance has a pilot which must be lighted by hand. When lighting the pilot, follow these instructions exactly.</p> <p>B Smell all around the appliance area for gas. Be sure to smell next to the floor because some gas is heavier than air and will settle on the floor.</p> | <ul style="list-style-type: none"> • Immediately call your gas supplier from a neighbour's phone. Follow the gas supplier's instructions. • If you cannot reach your gas supplier, call the fire department. <p>C Use only your hand to push or turn the gas control knob. Never use tools. If the knob will not push in or turn by hand, don't try to repair it. Call a qualified technician. Force or attempted repair may result in a fire or explosion.</p> <p>D Do not use the appliance if any part has been under water. Immediately call a qualified service technician to inspect the appliance and to replace any part of the control system which has been under water.</p> |
|--|--|

WHAT TO DO IF YOU SMELL GAS

- Do not try to light an appliance.
- Do not touch any electrical switch; do not use any phone in your building.

LIGHTING INSTRUCTIONS

1. Stop! Read the safety information above this label.
2. Set the thermostat to lowest setting.
3. Turn off all electrical power to the appliance.
4. Locate valve under the burner assembly.
5. If the control knob is not already in the off position, i.e. the word "OFF" in the 9 o'clock position, then push in the gas control knob slightly and turn ⤵ clockwise to "OFF". NOTE: Knob cannot be turned from "PILOT" to "OFF" unless knob is pushed in slightly. Do not use force.
6. Wait five [5] minutes to clear out any gas. If you then smell gas. STOP! Follow "B" in the safety information above on this label. If you don't smell gas then go to the next step.
7. Now push in the control knob slightly and turn ⤴ counter-clockwise to the "PILOT" position.
8. Push in the control knob all the way and hold it. With the other hand push in the red ignitor button until you hear a click. Now observe closely the pilot burner located on the rear center-left hand side of the main burner. If a flame has appeared then continue to depress the control knob for 20 seconds. If the flame did not appear then continue to depress the red ignitor button every 5 seconds until a flame is established. NOTE: If after 30 seconds a flame has not yet been established then turn the control knob back to the off position and repeat steps 5, 6 & 7.
9. Once the pilot has been established hold the control knob in the depressed position for approximately 25 seconds before releasing. If the flame goes out then repeat steps 7 and 8.
10. Now turn the control knob to the "ON" position. The burner will not light unless the wall switch thermostat or remote control is turned "ON" or in the case of the thermostat there is a call for heat.
11. Close the access door and turn all electrical power back to the appliance.

TO TURN OFF THE APPLIANCE

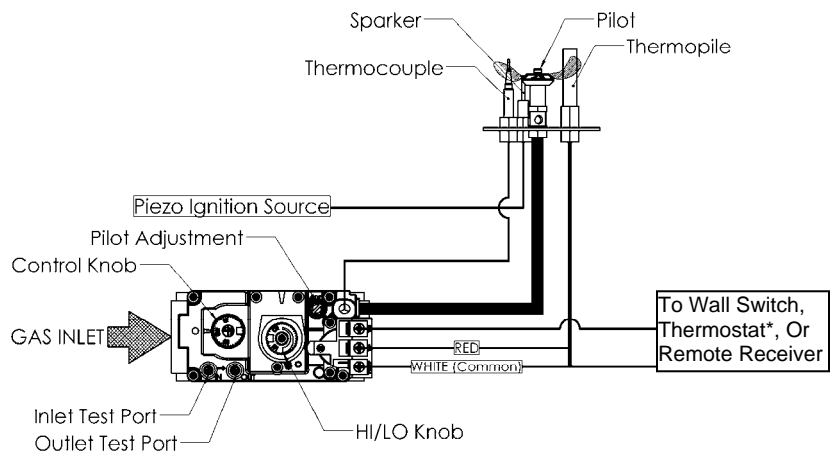
1. Set the thermostat to lowest setting.
2. Turn off all electric power to the appliance if service is to be performed.
3. Open the control access door.
4. Push in the gas control knob slightly and turn ⤵ clockwise to the "OFF" position. Do not force.
5. Replace control access panel.

NOTE: Only one on/off device (manual on/off, remote control, or hard wired thermostat) should be connected to the appliance at any one time, this is most important when installing a insert or stove as the on/off rocker switch is installed at the factory.

Recommended Maximum Lead Length (Double Wire)
When Using Wall Switch or Thermostat

Wire Size	Max. Length
14ga	100ft [30.4m]
16ga	64ft [19.5m]
18ga	40ft [12.1m]
20ga	25ft [7.6m]
22ga	15ft [4.5m]

CAUTION: DO NOT WIRE 120V POWER TO MILLIVOLT SWITCHES OR THERMOSTAT.



*In the U.S.A. Thermostats are not permitted for Vented Gas Fireplaces (ANSI Z21.50b-2009 -Decorative).

Burner System Maintenance

It is recommended to annually inspect and clean the Burner System to prevent malfunction and / or sooting. This operation should be performed by your dealer or a qualified technician.

-CAUTION-

Before servicing the burner system ensure that the gas supply is turned OFF and disconnect all electrical connections to the appliance. Allow the appliance to cool to room temperature. Note that the pilot assembly may be hot in an intermittent or standing-pilot system—even if the main burner was never on. Exercise caution when working within the area.

-ALL WORK SHOULD BE PERFORMED BY A QUALIFIED AND CERTIFIED TECHNICIAN-

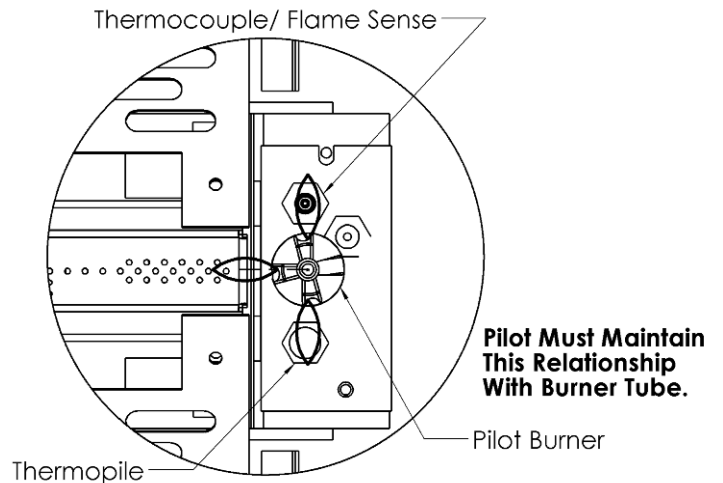
Monthly Flame Inspection

It is recommended to turn on the unit at least once a month and inspect the flame pattern to ensure there are no problems with the burner tube. The pilot flame should also be inspected monthly to ensure proper operation.

MDV31, MDV39



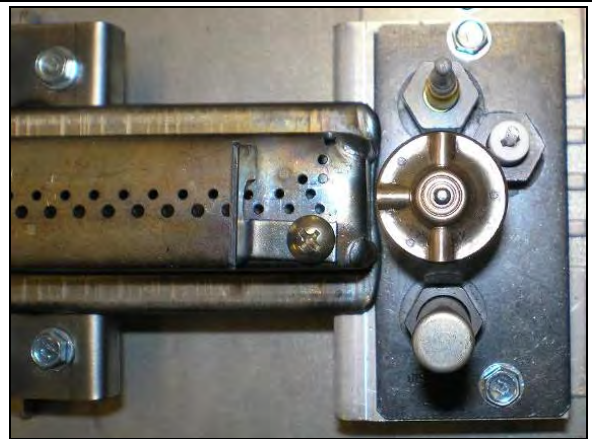
Flame should appear similar to the above picture.



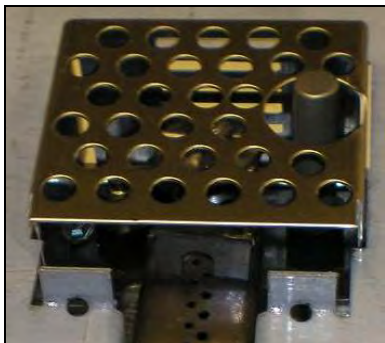
MQRB3632



Flame should appear similar to the above picture.



Pilot must maintain this relationship with burner.



Pilot Shield Must Not Be Covered.

Pilot Shield should be visually inspected monthly for signs of deterioration due to flame exposure. Replace if necessary.

Conversion Kit Instructions – PART A

Kit Number	Description	Pilot Orifice	Burner Orifice Brass (1000-255)	Brass Nipple	Air Shutter	Hi/Lo Regulator
31MDV-CKLP (for MDVR31LP, MDVL31LP)	LP Conversion -Millivolt-	1001-P167SI #30 (977.167)	#51	1000-P201VE HEX	1/4"	1001-P202SI (0.907.202)
31MDV –CKNG (for MDVR31N, MDVL31N)	NG Conversion -Millivolt-	1001-P165SI #51 (977.165)	#36	1000-P201VE HEX	3/32"	1001-P201SI (0.907.201)
3632RB-CKLP (for MQRB3632LP)	LP Conversion -Millivolt-	1001-P167SI #30 (977.167)	#49	1000-P201VE HEX	5/16"	1001-P202SI (0.907.202)
3632RB –CKNG (for MQRB3632N)	NG Conversion -Millivolt-	1001-P165SI #51 (977.165)	#36	1000-P201VE HEX	1/16"	1001-P201SI (0.907.201)
31MDV –CKLPI (for MDVR31LPE, MDVL31LPE)	LP Conversion -IPI -	1001-P168SI #35 (977.168)	#51	1000-P201VE HEX	1/4"	1002-P014SI (0.907.014)
31MDV –CKNGI (for MDVR31NE, MDVL31NE)	NG Conversion - IPI -	1001-P166SI #62 (977.166)	#36	1000-P201VE HEX	3/32"	1002-P016SI (0.907.016)
3632RB-CKLPI (for MQRB3632LPE)	LP Conversion -IPI-	1001-P167SI #35 (977.167)	#49	1000-P201VE HEX	5/16"	1001-P202SI (0.907.202)
3632RB –CKNGI (for MQRB3632NE)	NG Conversion -IPI-	1001-P165SI #62 (977.165)	#36	1000-P201VE HEX	1/16"	1001-P201SI (0.907.201)

Refer to "**Gas Specifications Chart**" for inlet pressures and input ratings. Clock meter to verify input rate. Place conversion label as close to converted gas control as possible. Refer to lighting instructions to verify the normal operating sequence of the ignition system.
IMPORTANT: Always check for gas leaks with a soap and water solution. DO NOT USE OPEN FLAME FOR LEAK TESTING.

For MDV39 Series: - MDVR39N, MDVL39N, MDVR39NE, MDVL39NE

**THIS NATURAL GAS APPLIANCE HAS BEEN UPGRADED TO 39,000 BTU MODEL MDV39N.
 LE RENDEMENT DE CET APPAREIL AU GAZ NATUREL A ETE AUGMENTE A 39 000 BTU, MODELE MDV39N.**

**WARNING: THE BTU UPGRADE IS NOT TO BE DONE IF USING THE Z36CVCK DESIGNER CLEAN VIEW
 CIRCULATING KITS.
 AVERTISSEMENT: LA MONTÉE DE BTU NE DOIT PAS ÊTRE FAITE EN UTILISANT LA CRÉATEUR Z36CVCK
 NETTOIENT VEIW LES KITS CIRCULANTS.**

**THE APPROPRIATE KITS AVAILABLE ARE: (PLEASE CHECK KIT USED)
 LES ENSEMBLES APPROPRIES SONT: (VEUILLEZ COCHER L'ENSEMBLE UTILISE)**

**M39PK PENINSULA KIT M39SK SEE-THRU KIT M39CK CORNER KIT
 ENSEMBLE PENINSULA ENSEMBLE SEE-THRU ENSEMBLE CORNER**

**(PLEASE CHECK OFF ALL STEPS AND SIGN LABEL WHERE INDICATED)
 (VEUILLEZ COCHER TOUTES LES ETAPES PUIS SIGNEZ L'ETIQUETTE A L'ENDROIT INDIQUE)**

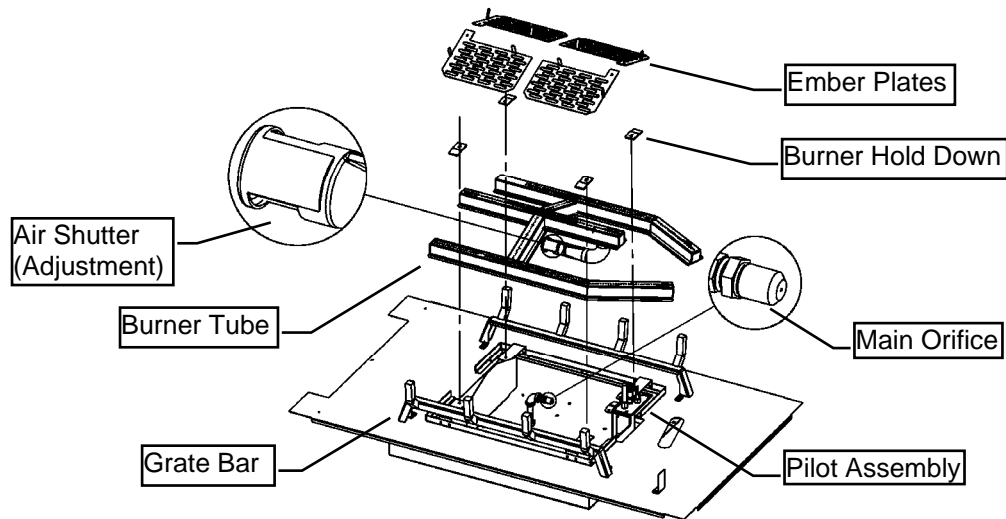
- 1. THE MAIN BURNER ORIFICE HAS BEEN CHANGED TO A #30 ORIFICE
 L'ORIFICE PRINCIPAL DU BRULEUR A ETE CHANGE POUR UN ORIFICE N° 30**
- 2. THE AIR SHUTTER HAS BEEN ADJUSTED TO 1/4" OPEN
 L'OBTURATEUR D'AIR A ETE AJUSTE A UNE OUVERTURE DE 1/4"**
- 3. ALL TEMPERED GLASS DOORS HAVE BEEN CHANGED TO CERAMIC
 TOUTES LES PORTES EN VERRE TREMPÉ ONT ETE CHANGEES POUR DE LA CERAMIQUE**

Gas Conversion -Part A - MDV31 / MDV39

WARNING: This conversion kit shall be installed by a qualified service agency in accordance with the manufacturer's instructions and all applicable codes and requirements of the authority having jurisdiction. If the information in these instructions is not followed exactly a fire, explosion or production of carbon monoxide may result causing property damage, personal injury or loss of life. The qualified service agency is responsible for the proper installation of this kit. The installation is not proper and complete until the operation of the converted appliance is checked as specified in the manufacturer's instructions supplied with kit.

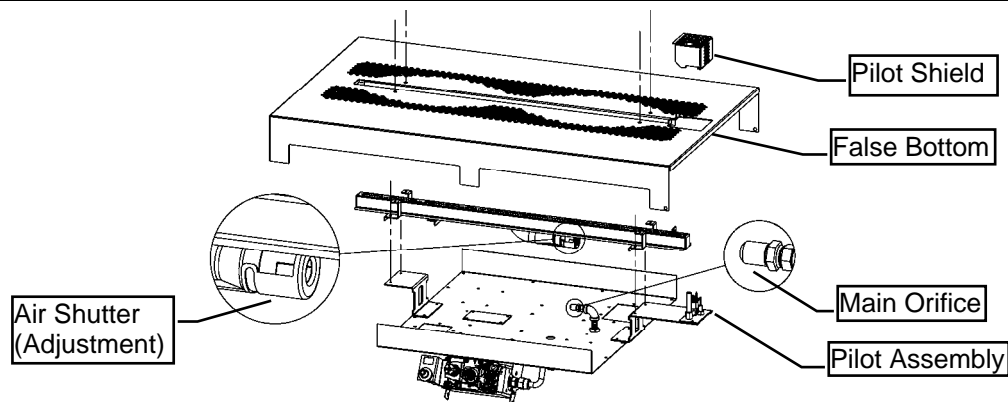
Caution:

The gas supply shall be shut off prior to disconnecting the electrical power, before proceeding with the conversion.



1. Remove ember plates right and left of burner, ember plates are held in place by 2 screws each.
2. Loosen screws from burner retainer tabs and slide burner to the left to remove from orifice.
3. Remove main orifice using a 1/2" wrench and replace with new conversion orifice.
4. Install new pilot orifice and Hi/Lo valve regulator by following instructions supplied with conversion kit (also See Parts B & C).
5. Adjust the primary air setting to the correct setting as specified in the manual or label plate. To adjust air setting, loosen screw on the side of air mixing tube and rotate to the correct opening using a drill bit or tape measure. Retighten screw.
6. Reinstall ember plates and burner by reversing steps 1 & 2.

Gas Conversion -Part A - MQRB3632



1. Remove four [4] screws holding down the false bottom. Remove the four [4] screws holding down the burner tube assembly.
2. Slide the burner tube towards the left to remove from orifice.
3. Remove main orifice using a 1/2" wrench and replace with new conversion orifice.
4. Install new pilot orifice and Hi/Lo valve regulator by following instructions supplied with conversion kit.
5. Adjust the primary air setting to the correct setting as specified in the manual or label plate. To adjust air setting, loosen screw on the side of air mixing tube and rotate to the correct opening using a drill bit or tape measure. Retighten screw.
6. Reinstall false bottom and burner by reversing steps 1 & 2. Pilot Shield must be in place over pilot assembly.

Gas Conversion for Top Convertible Pilot (Series 019065X) – PART B

Instructions for converting SIT 190 series pilot burner injection from NG to LPG and from NG to LPG only. This information should be considered as supplemental to the Appliance Manufacturer's Instructions.

WARNING: The installation of this conversion kit must only be undertaken by a qualified and certified gas appliance installer.

1. Shut off the gas supply to the appliance.
2. Allow the pilot burner to cool to room temperature.
WARNING: Touching a hot pilot burner can result in injury.
3. The pilot hood is held in place by spring pressure. Remove the hood by pulling it directly up from the pilot bracket (a).
4. Insert a 5/32" or 4mm Allen wrench into the hexagonal key-way of the injector (b), and rotate it counter-clockwise until it is free of the injector journal (c).
5. Verify that the new injector is proper for the application. The injector size is stamped on the side of the injector near the top. LPG injectors have a groove machined around their circumference near the top, while NG injectors do not have a groove (e). Refer to the Appliance Manufacturers instruction sheet for the proper injector size.
6. Insert the Allen wrench into the end of the injector. Then, insert into injector journal, and rotate the injector clockwise until a torque of 9 in-lbs is achieved.
7. Replace the pilot hood by aligning the tab on the base of the hood with the slot in the side of the pilot journal, and push the hood down, directly onto the pilot bracket (d). The hood must sit squarely on the bracket for proper operation. Check to insure that the hood is properly seated onto the pilot bracket.



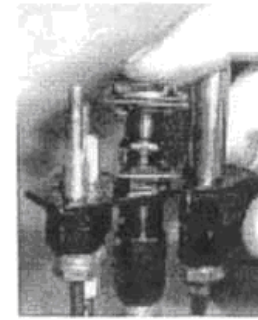
(a)



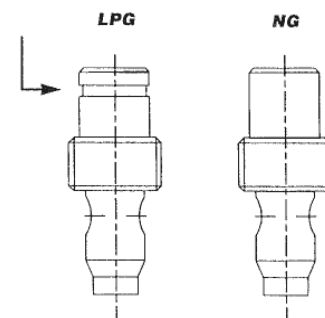
(b)



(c)



(d)



(e)



WARNING: This conversion kit must only be applied as part of a conversion kit supplied by the appliance Manufacturer for the specific appliance, and type of gas being converted.

INSTALLER NOTICE: These instructions must be left with appliance.

installation instructions

7 252 136

820 NOVA mV

Modulating Conversion Kit

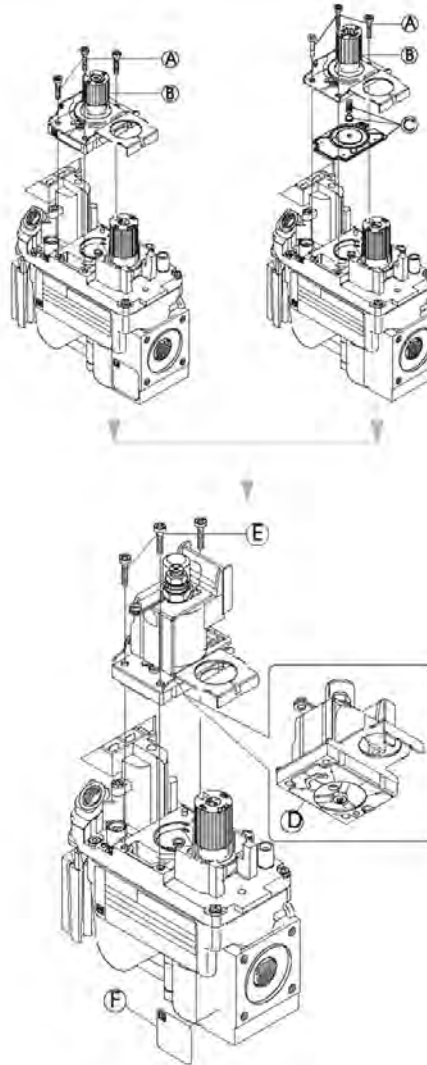


-WARNING!

The installation of this conversion kit must only be undertaken by a qualified and certified gas appliance installer.

MODULATING PRESSURE REGULATOR CONVERSION KIT INSTALLATION OR REPLACEMENT INSTRUCTIONS.

- 1 Turn control knob to the OFF position, and shut off the gas supply to the valve.
- 2 Using a Torx T20, or slotted screwdriver, remove and discard the three pressure regulator mounting screws (A), pressure regulator tower (B), and the spring and diaphragm assembly (C) (if applicable)
- 3 Insure that the rubber gasket (D) is properly positioned and install the new modulating pressure regulator assembly to the valve using the new screws (E) supplied with the kit. Tighten screws securely. (Reference torque = 25 In.Lb.)
- 4 Install the enclosed identification label (F) to the valve body where it can be easily seen.
- 5 Apply gas to system and re-light appliance according to manufacturers instructions.
- 6 With the main burner "ON", test the new pressure regulator assembly for leaks using a soap solution.
- 7 Relight the main burner in both the HI and LO positions, and verify proper burner ignition and operation.



-WARNING!

This modulating conversion kit must ONLY be applied as part of a conversion kit supplied by the APPLIANCE MANUFACTURER for the specific appliance, and type of gas, being converted.

INSTALLER NOTICE. These instructions must be left with appliance.



SIT Group

IPI Electronic Ignition System

Overview

The IPI system is an advanced burner controller that provides you with the option of having either a Standing-Pilot, or an intermittent igniting system. This alternating mode is controlled by the CPI/IPI Switch (Continuous Pilot Ignition/Intermittent Pilot Ignition) located on the IPI System Box. The difference between a Standing-Pilot and an Intermittent-Pilot is in whether the pilot stays lit or shuts off:

In Standing-Pilot, the pilot assembly is lit by the IPI Main Module and continues to stay lit until 1) the CPI/IPI Switch is switched to the IPI position; 2) a loss of electrical power (battery and AC source), 3) the flame sensor loses its signal, 4) the fuel supply discontinues, or 5) the IPI Main Module malfunctions.

In the Intermittent-Pilot mode, the pilot shuts off when the appliance is not in use. The advantage of this mode is that fuel is not consumed when the fireplace is not operating.

NOTE: In some jurisdiction, Intermittent-Pilot is required. That means the pilot cannot remain lit when the appliance is not operating.

Components

The core of the IPI system is the Main Module and the IPI Valve. With these two components the system is able to operate a gas fireplace. There are also other components available to complement the IPI system.

IPI System Cover: Is essential in keeping the components at their proper operating temperatures. **DO NOT OPERATE THE APPLIANCE WITHOUT THIS COVER.**

Modulating Servo Motor: Is an add-on valve component that permits HI/LO functionality to be controlled by the remote. Contrary to this feature is a Manual HI/LO Control Knob. The Modulating Servo Motor requires the Remote system to be present.

Backup Battery Pack: This component permits the IPI system to operate without the need for an external AC Adapter power source. The advantage to using the battery backup is that in the case of a power failure, the appliance is still

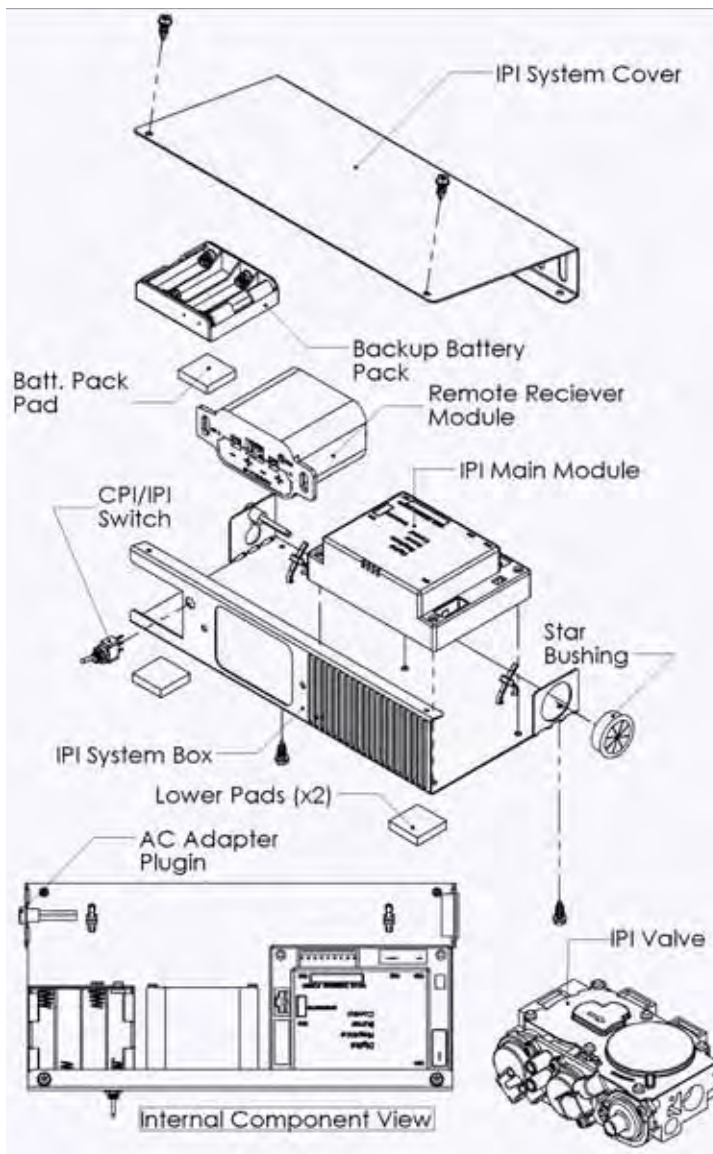
NOTE: In certain instances the IPI Main Module requires resetting. This can occur if the system is unable to ignite the pilot or the main burner in the allotted time period. The IPI is programmed to lockout all commands. To reset this lockout you must deplete the system of all electrical power. This means to remove the batteries from the Battery Pack, remove the batteries from the Remote Receiver (if applicable), and disconnect the AC Adapter from the system. Leave the power off for approximately 25 seconds to clear its lockout.

operable.

Remote Receiver: This component provides the capability of controlling the appliance with a wireless remote transmitter. There are two switches to note on the receiver module:

The first switch on the Remote Receiver module is a 3-position slide switch. This switch is used to either manually turn the main burner ON, activate the receiver to begin communication with the transmitter, or turn the main burner completely OFF. The position of the slide switch designates these functions respectively.

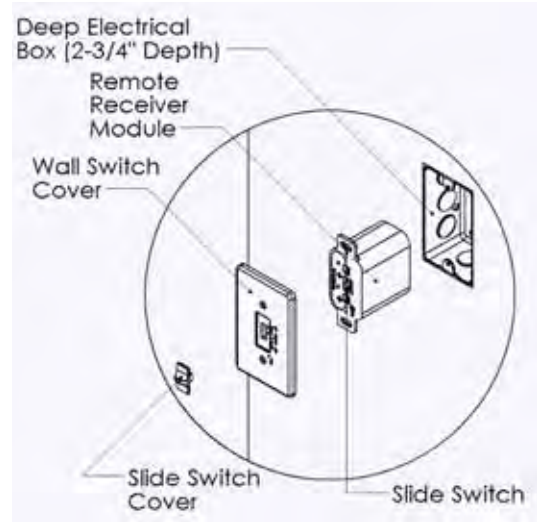
The second is the small round pushbutton [PRG] used for programming the receiver to respond to a designated remote. Therefore to program the system ensure that the transmitter is first turned OFF. Then, ensure that there is sufficient electrical power going to the Receiver module and a fresh set of batteries in the transmitter. Now switch the

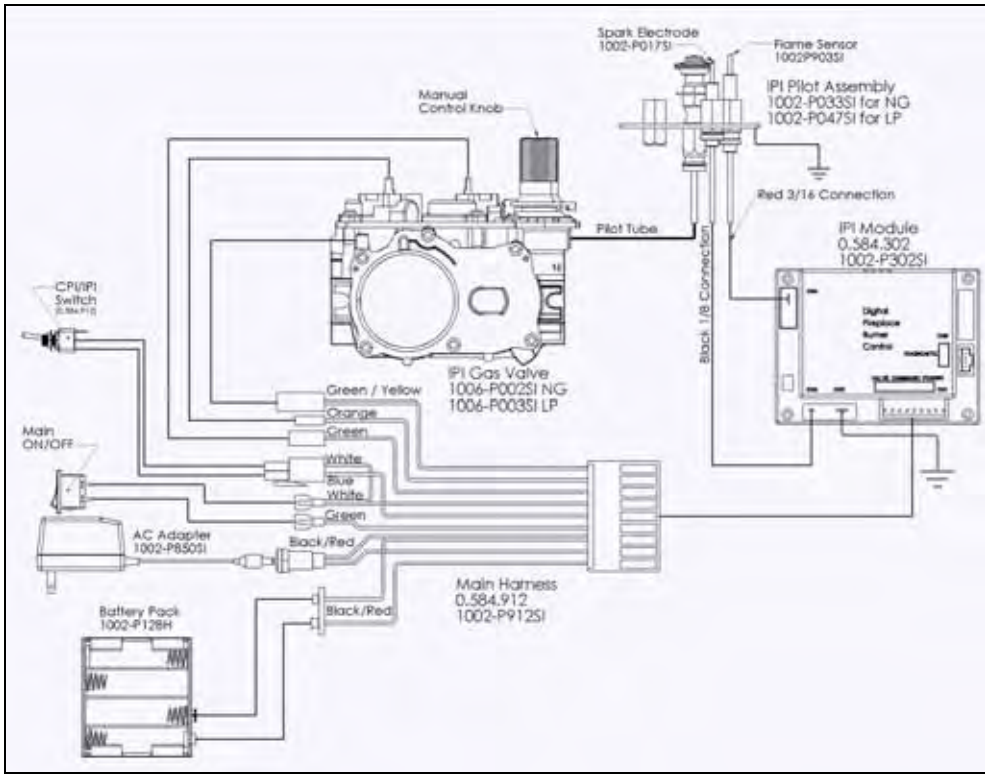


the slide switch to the middle [REMOTE] position and then push the small pushbutton to begin programming. Bring the transmitter close to the receiver and then press the power button [R] on the transmitter. An audible beep will sound to indicate the system is programmed and ready to be used.

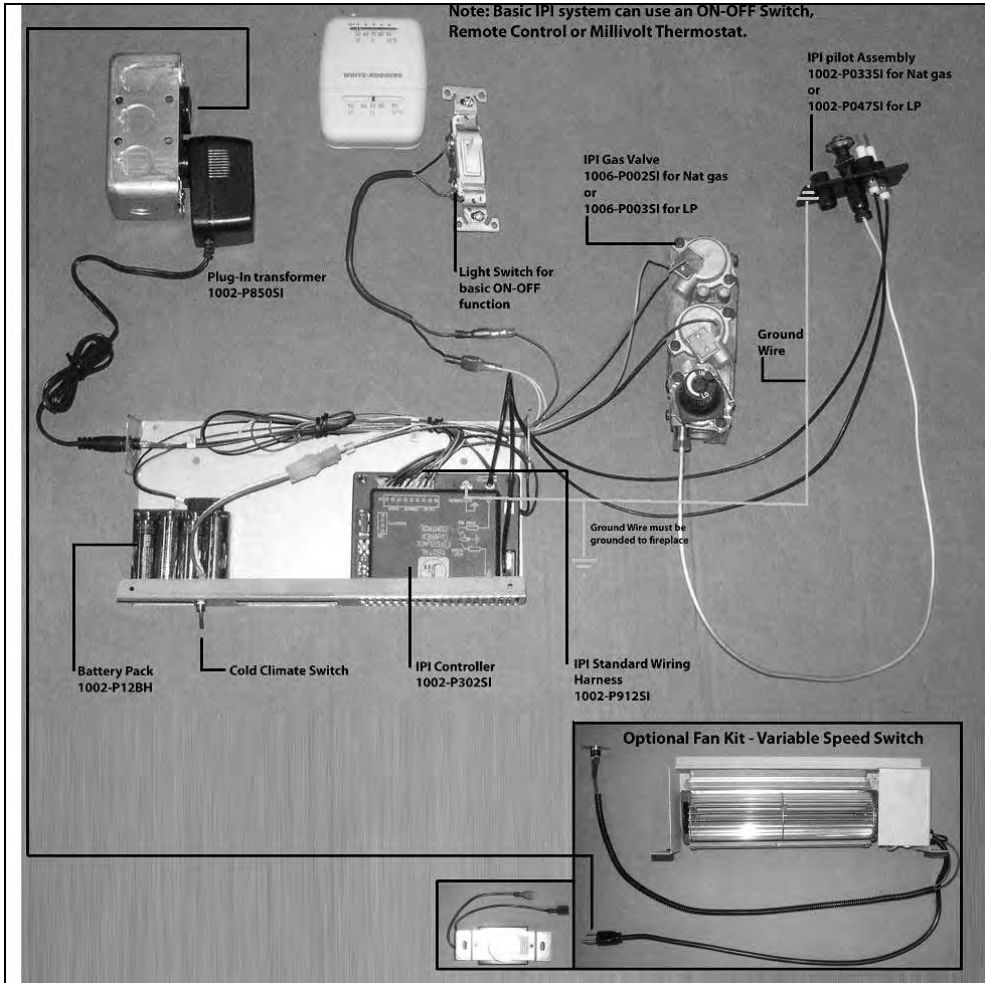
NOTE: The Remote Receiver module can also be located outside of the appliance to a maximum of 6ft away installed in a certified deep wall switch electrical box (2-3/4" depth). For this configuration an extension wiring harness (P/N: 1001-P904SI) is required.

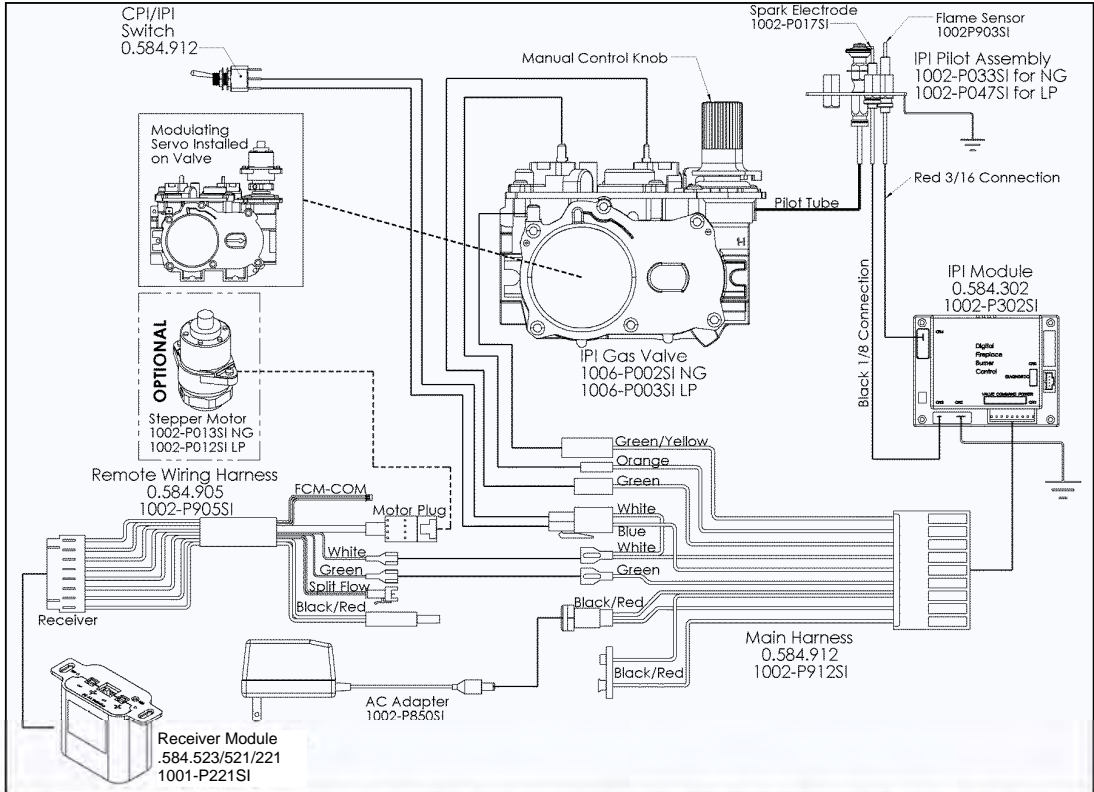
Electrical Supply in Series: The entire IPI system can be powered by a single power source (i.e. by the AC Adapter). This is advantageous if you do not want to supply extra batteries. To achieve this simply connect the AC Adapter into the Remote Control wiring harness instead of the main IPI harness. From the Remote wiring harness, use its male plug-in connector and connect it to the female plug-in in the main IPI harness. Now the circuit is complete. So the way it works is that electrical power is supplied to the Remote Receiver module and then proceeds to the Main IPI module. Furthermore, note that a Backup Battery Pack is not required in this configuration. Instead, batteries in the Remote Receiver act as the backup supply.



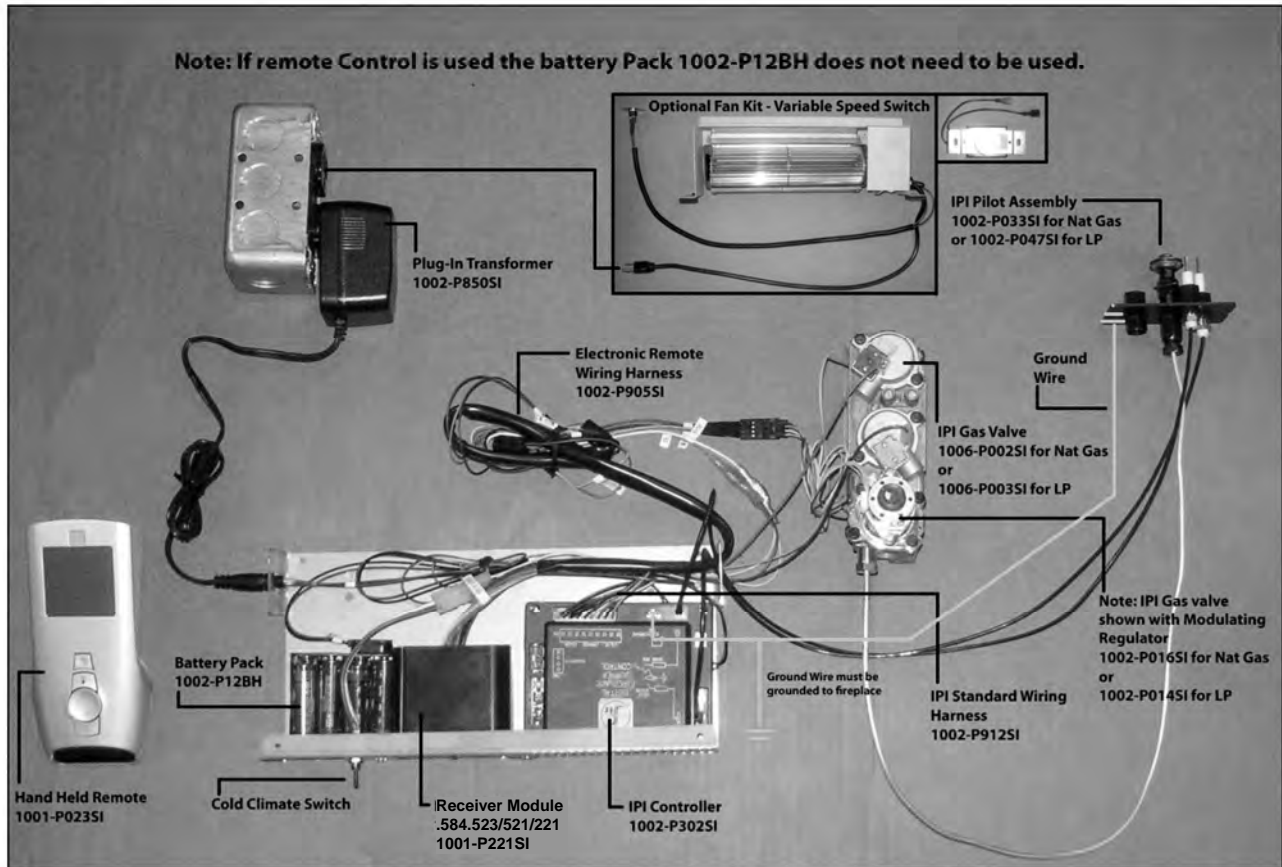


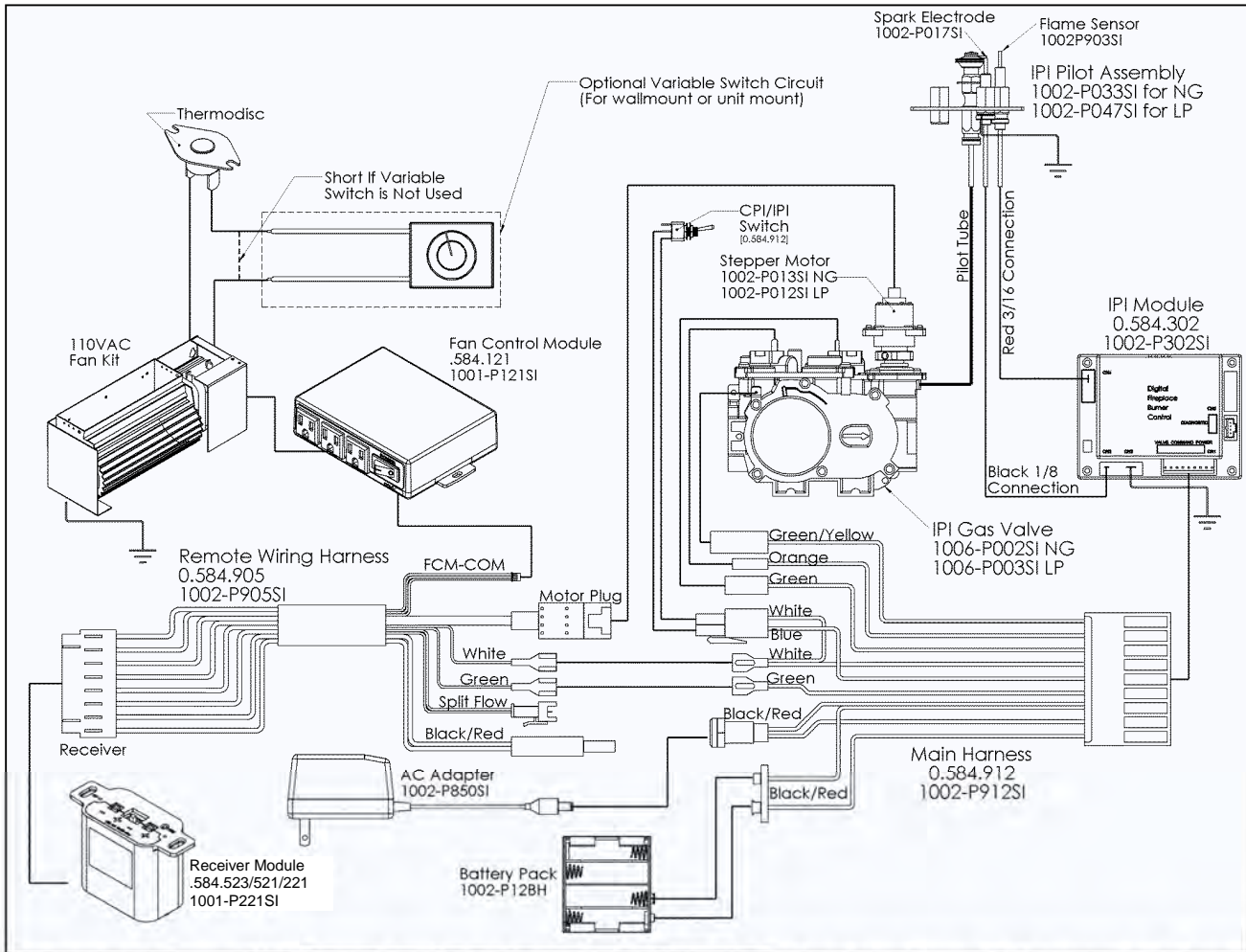
Configuration #1: Basic manual HI/LO and manual ON/OFF capabilities.



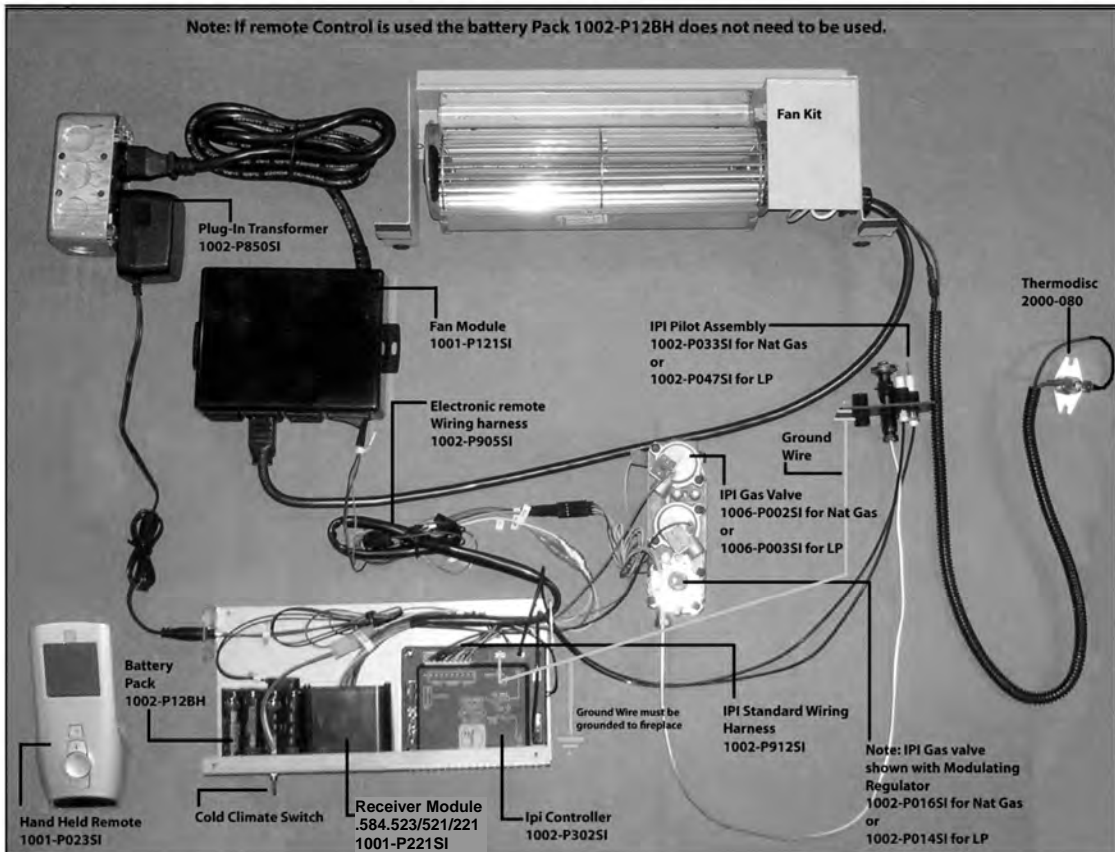


Configuration #2: Remote ON/OFF and manual HI/LO capabilities. OPTIONAL: For units with remote HI/LO capabilities, a modulating servo is required to be installed on the valve. The connectors to this servo must be connected to the Remote Harness as shown in the figure above.





Configuration #3: Remote ON/OFF, variable HI/LO, and fan capabilities. Refer to the Fan Installation/Removal Guide section for fan installation.



IPI Lighting Instructions



WARNING

1. If you do not follow these instructions exactly, a fire or explosion may result causing property damage, personal injury or loss of life.
2. Always light the pilot whether for the first time or if the gas supply has ran out with the glass door opened or removed.

FOR YOUR SAFETY READ BEFORE LIGHTING



- A. This fireplace is equipped with an ignition device which automatically lights the pilot. Do not try to light by hand.
- B. Before operating smell all around the fireplace area for gas and next to the floor because some gas is heavier than air and will settle on the floor.
- C. Do not use this fireplace if any part has been under water. Immediately call a qualified service technician to inspect the fireplace and replace any part of the control system and any gas control which has been under water



WHAT TO DO IF YOU SMELL GAS

- | | |
|--|--|
| <ol style="list-style-type: none">1. Turn off all gas to the fireplace.2. Open windows.3. Do not try to light any appliance.4. Do not touch any electric switch; do not use any phone in your building. | <ol style="list-style-type: none">5. Immediately call your gas supplier from a neighbor's phone. Follow the gas supplier's instructions.6. If you cannot reach your gas supplier, call the fire department. |
|--|--|

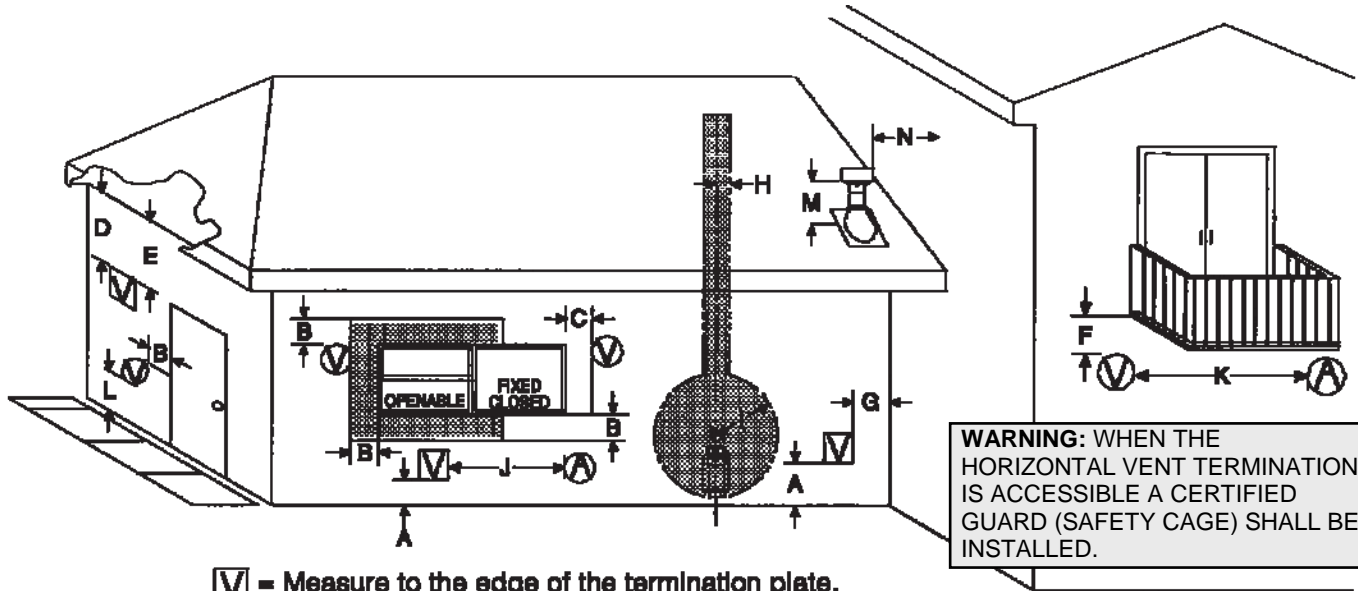
LIGHTING INSTRUCTIONS

1. STOP! Read the above safety information on this label.
2. Remove batteries from Receiver and/or Battery Backup Pack.
3. Turn off all electric power to the fireplace.
4. This fireplace is equipped with an ignition device which automatically lights the pilot. Do not try to light the pilot by hand.
5. Open the glass door.
6. Turn manual shutoff valve clockwise  to OFF position (located behind the access panel).
7. Wait five [5] minutes to clear out any gas. If you smell gas including near the floor, STOP! Follow "B" in the above safety information on this label. If you don't smell gas go to the next step.
8. Turn manual shutoff valve counter-clockwise  to ON position.
9. Close the glass door.
10. Turn on all electric power to the fireplace, and re-install batteries into the Transmitter/Receiver and/or Battery Backup Pack.
11. Turn ON the switch that operates the Main Burner. If using a Remote Control refer to Remote Control Operation Manual for activation.

TO TURN OFF GAS

1. Turn OFF all electric power to the fireplace if service is to be performed, including removing batteries from the Remote Transmitter/Receiver and/or Battery Backup Pack.
2. Access door inside the firebox must be removed to access the manual shutoff valve.
3. If alternate shut-off valve was installed it can be shutoff instead of going through the fireplace to access the fireplace shut off valve.

Vent Termination



 = Measure to the edge of the termination plate.
 = Measure to the edge of the round termination.

 Vent Terminal

 Air Supply

 Area Where Terminal Not Permitted.

A - Clearance above grade, veranda, porch, deck, or balcony 12 inches (30cm) minimum.^{1,2}

B - Clearance to window or door that may be opened. 12 inches (30cm) minimum for appliances 100 000 Btuh (30 kW) and lower, in Canada. 9 inches₂ (23cm) for appliances 50 000 Btuh and lower, in USA.

C - Clearance to permanently closed window minimum 12 inches (30cm) recommended to prevent condensation on window, in Canada. 9 inches₂ (23cm) for appliances 50 000 Btuh and lower, in USA.

D - Vertical clearance to ventilated soffit located above the termination within a horizontal distance of 2 feet (60cm) from the center line of the termination. 18 inches (46cm) minimum.⁵

E - Clearance to unventilated soffit 12 inches (30cm) minimum.

F - Clearance under veranda, porch, deck or balcony 12 inches, (30cm) minimum.^{4 US₅}

G - Clearance from a perpendicular inside wall or outer corner to the edge of the vent terminal plate is 3" (minimum).

H - Clearance to each side of center line extended above meter/regulator assembly 3 feet (91cm) within a height 15 feet (4.5m) above the meter/regulator assembly.

I - Clearance to service regulator vent outlet 3 feet (91cm) minimum.^{1 US₅}

J - Clearance to non-mechanical air supply inlet to building or the combustion air inlet to any other appliance: In Canada, 6 inches (15cm) for appliances $\leq 10,000$ Btuh (3kW), 12 inches₁ (30cm) minimum for appliances $> 10,000$ Btuh (3kW) and $\leq 100,000$ Btuh (30kW), 36 inches (91cm) for appliances $> 100,000$ Btuh (30kW). In the USA, 6 inches₂ (15cm) for appliances $\leq 10,000$ Btuh (3kW), 9 inches (23cm) for appliances $> 10,000$ Btuh (3kW) and $\leq 50,000$ Btuh (15kW), 12 inches (30cm) for appliances $> 50,000$ Btuh (15kW).

K - Clearance to a mechanical air supply inlet 6 feet (1.8m) minimum.^{1, in} Canada. In USA, 3 feet (91cm) above if within 10 feet₂ (3m) horizontally.

L - Clearance above paved sidewalk or a paved driveway located on public property 7 feet (2.1m) minimum.³

M - Clearance above highest point of exit on roof 18 inches (45cm).

N - Clearance to perpendicular wall 24 inches (60 cm). (Recommended to prevent re-circulation of exhaust products. For additional requirements check local codes.)

NOTE: Clearances are to the edge of terminal plate, add 6-3/4" to clearances to arrive at center line.

NOTE: Local Codes or Regulations may require different clearances.

Termination

It is imperative that the vent termination be located observing the minimum clearances as shown. There must not be any obstruction such as bushes, garden sheds, fences, decks or utility buildings within 24" from the front of the termination plate.

Do not locate termination where excessive snow or ice build-up may occur. Be sure to check vent termination area after snow falls and clear to prevent accidental blockage of venting system. When using snow blowers, make sure snow is not directed towards vent termination area.

General Venting Information

The gas fireplace is approved to be vented either through the side wall or vertically through the roof.

This appliance is approved with Kingsman flex vent system and also approved for use with Simpson Duravent Direct Vent System and Selkirk Direct Temp.

Kingsman flex vent system can be used with Simpson Duravent Direct Vent termination's.

When using Simpson Duravent or Selkirk Direct Temp a Kingsman/ Duravent adapter must be used.

ONLY VENTING COMPONENTS SPECIFICALLY APPROVED AND LABELED FOR THIS FIREPLACE MAY BE USED.

Venting terminal shall not be recessed into a wall or siding. If finishing the outside wall with vinyl or wood siding it is recommended that a Siding Shield be installed, Part Number ZDVSSLR.

1 - In accordance with the current CSA B149.1, Natural Gas and Propane Code.

2 - In accordance with the current ANSI Z223.1/NFPA 54, National Fuel Gas Code.

3 - A vent shall not terminate directly above a sidewalk or paved driveway that is located between two single family dwellings and serves both dwellings.

4 - Permitted only if veranda, porch, deck, or balcony is fully open on a minimum of two sides beneath the floor.

5 - Clearance in accordance with local installation codes and the requirements of the gas supplier.

General Vent Installation Information

This gas appliance is approved to be vented either through the side wall or vertically through the roof. Only Kingsman Flex(Z-Flex)Venting Kits and components specifically approved and LABELED for this stove may be used. This appliance is also approved for use with Simpson-Duravent Direct Vent system, Ameri-Vent Direct Vent Pipe System, ICC Excel Direct, Metal Fab Sure-Seal DV and Selkirk Direct Temp.

FRAMING DIMENSION

Combustible Wall

Cut a 11" hole through exterior wall and frame as shown below.

Non combustible Wall

Cut or drill 8" or 204mm diameter hole.

RIGID OR HARD PIPE

When using Simpson Duravent, AmeriVent pipe, ICC Excel Direct, Metal Fab Sure-Seal DV and or Selkirk Direct Temp a Duravent hardpipe adapter must be used (part # ZDVDFDA for fireplaces and part # ZDVDKA for Stoves, Serenity and ZDV3624B). Follow installation instructions provided by Simpson Duravent/AmeriVent/Selkirk Direct Temp, ICC Excel Direct, Metal Fab Sure-Seal DV for installation of pipe and adhere to the clearance to combustibles provided in this manual. Apply a bead of Mill Pac high temp sealant to all joints of pipes, adapters and termination, when using Kingsman Flex(Z-Flex)Venting venting and Simpson Duravent venting.

NOTE: Increase framing depth by one inch when using hardpipe.

Flex Pipe Venting

Flex pipe is shipped in unexpanded length. When installing pipe expand the lengths. Pipe can be expanded to twice their lengths e.g. 4ft. to 8ft.

Do not use more than 2 couplers to extend short pipes. Single sections are preferred in an installation attaching at the fireplace and termination.

Place the spring spaces provided approximately every two feet to stabilize 4" flex in the center of 7" flex. When forming bends place spring in bend or before and after. (See Fig. 1).

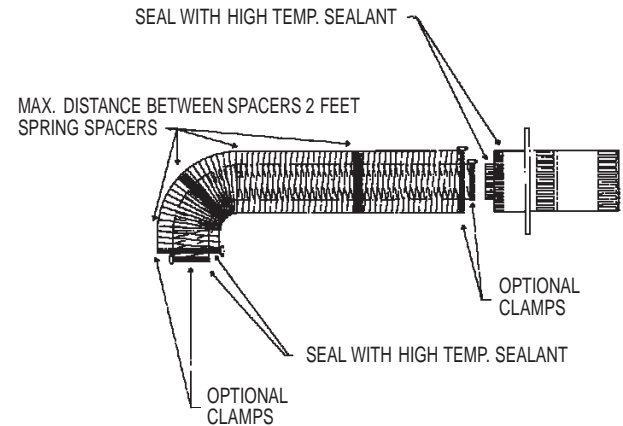
Horizontal runs require support metal straps every 2 feet. In off set installation support straps should be used to stabilize pipe.

Expand 4" and 7" flex pipe to the point that the 7" protrudes approximately 2 to 3 inches past outer wall and the 4" flex protrudes approximately 2 to 3 inches past the 7" flex. See Fig. 1. Attach the 4" pipe to the termination first and secure with sealant and 4 screws, then attach the 7" flex to the termination with sealant and 4 screws. Termination may then be moved back to the outer wall and attached to home by screwing into the framing. Silicone around termination to waterproof. If siding shield is going to be used attach this using same attaching hole as the top of termination after termination has been caulked for water proofing.

Use Term Hi Temp Sealant

Apply a bead of mill pac high temp sealant to all joints and secure with 4 screws at every connection provided at fireplace, termination and any joint if joining any sections of pipe.

FIGURE 1



NOTE: It is critical to the proper and safe operation of this fireplace that on all connections the inner liner and the outer casing are both caulked with liberal amounts of sealant. Do not use any kind of tape or silicone other than that recommended in this manual. Mill Pac Sealant



WARNING: DO NOT mix parts from different systems unless stated in the manual.



WARNING: WHEN THE HORIZONTAL VENT TERMINATION IS ACCESSIBLE A CERTIFIED GUARD (SAFETY CAGE) SHALL BE INSTALLED.

Horizontal Venting Routes

Venting Routes And Components

Since it is important that the vent system maintain its balance between the combustion air intake and the flue gas exhaust, certain limitations as to vent configurations apply and must be strictly adhered to.

The table showing the relationship between vertical and horizontal side wall venting will help to determine the various vent lengths.

For horizontal vent runs with minimum vertical venting of 4 feet:

12" to 34" horizontal runs require 1/4" rise per foot. See Figure 1.

34" to 240" horizontal runs require 2 1/2" rise per foot. See Figure 2.

For horizontal vent runs using 90° bends with vertical runs from Fireplace, 1/4" rise per ft. using venting table. See Fig. 3.

2 additional 90° bends or equals are allowed. The horizontal run must be reduced by 36" per each 90° bend, or 18" per each 45° bend.

Maximum vertical run is 40 ft. (12.2 meters)

Locate the fireplace in such a way to minimize the offsets and/or horizontal runs that are required.

Insulation sleeve over 7" pipe is required for low profile enclosures with Combustible top 2.0" from top of flue pipe, to 13.0" from top of flue pipe. For Combustible top 14.0" + above flue pipe require no insulation sleeve in enclosure.

How To Use The Vent Table

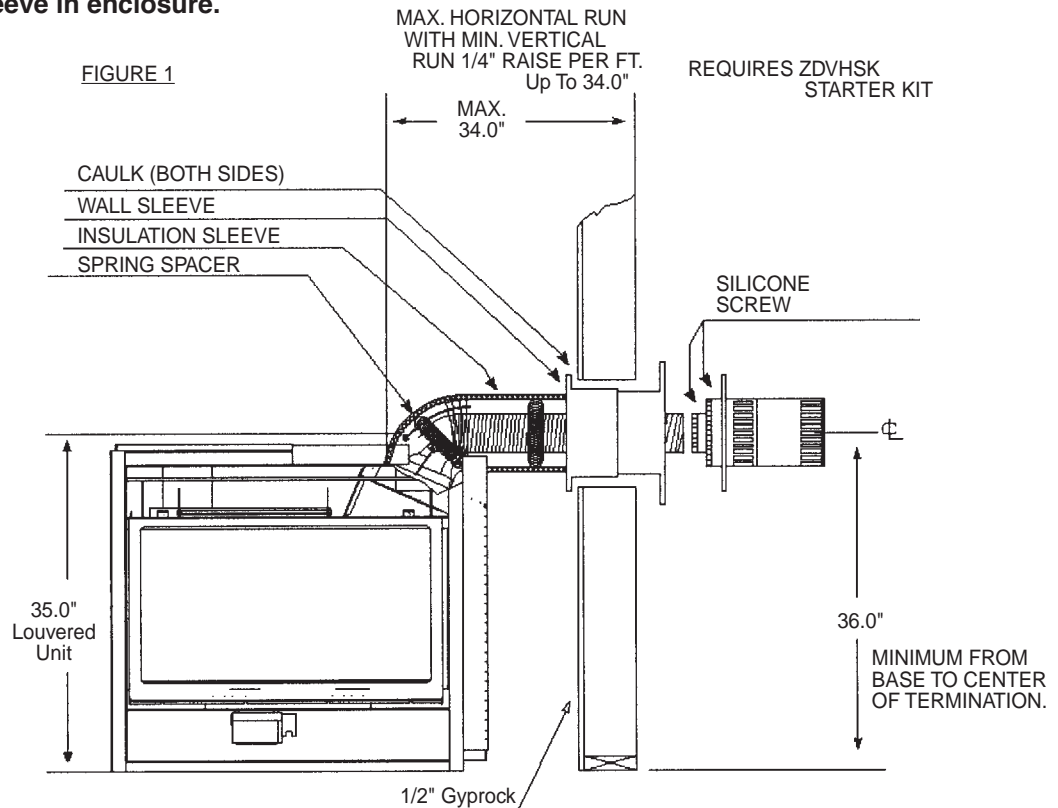
1. Determine the height of the system and the number of bends required.
2. Having determined the vertical distance, determine the maximum horizontal section allowed.
3. Vent table has been established for 90° horizontal/vertical runs. With use of flex pipe distance not having 90° bends will not fall into vent table standards. See Fig. B.

Venting Table From Bottom Of Fireplace

For venting to a maximum of 40 ft. (12.2 meters)

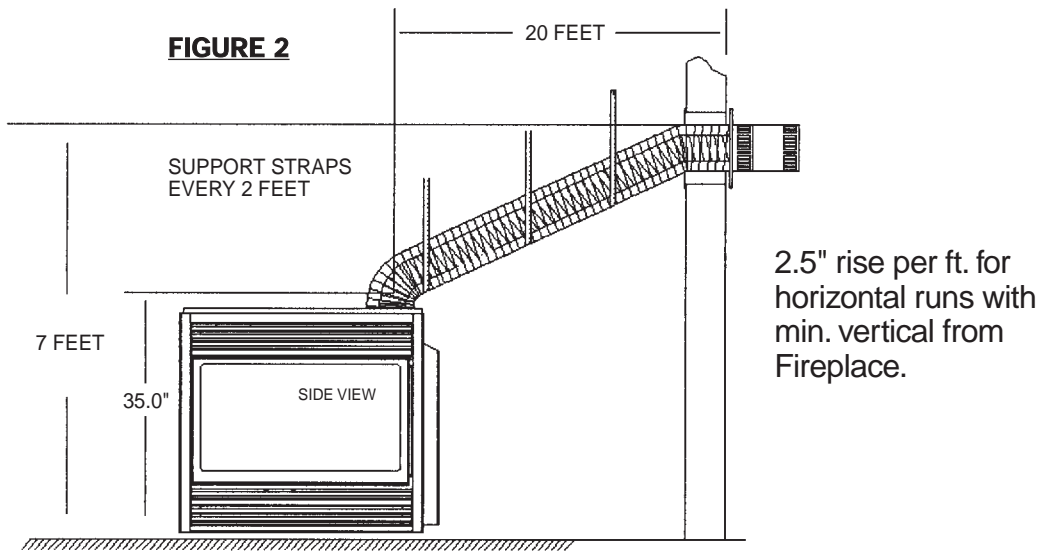
Total Vertical		Max. Total Horizontal	
Feet	Meters	Feet	Meters
4	1.2	8	2.4
5	1.5	15	4.5
6	1.8	15	4.6
7	2.1	20	6.1
8	2.4	20	6.1
9	2.7	20	6.1
10	3.0	20	6.1
11	3.4	20	6.1
12	3.7	20	6.1
13	4.0	20	6.1
14	4.3	20	6.1
15	4.6	20	6.1
16	4.9	20	6.1
17	5.2	20	6.1
18	5.5	20	6.1
19	5.8	20	6.1
20	6.1	20	6.1
25	7.5	15	4.6
30	9.1	10	3.0
40	12.2	0	0

FIGURE 1



For Propane Horizontal Installations the venting must be a minimum of one foot vertical off the flue before the elbow on any horizontal runs of one foot or greater. This allows for cleaner combustion and greatly reduces carboning and cleaning of glass. Does not apply to Back Flue models).

FIGURE 2



Important Minimum clearances of flue pipe to combustibles. Vertical runs 1.0".

For installations other than Low Profile Enclosures, top of horizontal with no sleeve requires a 2.5" clearance, and 4.0" of clearance above 90° elbow.

Top horizontal run with sleeve requires 2.0" clearance in low profile enclosure.

FIGURE 3

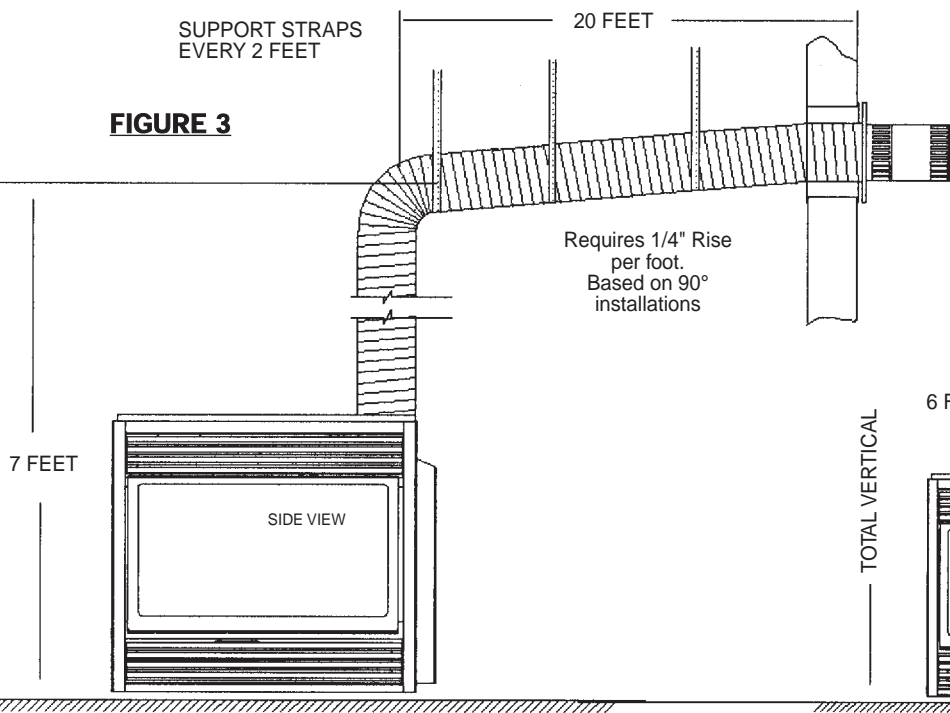
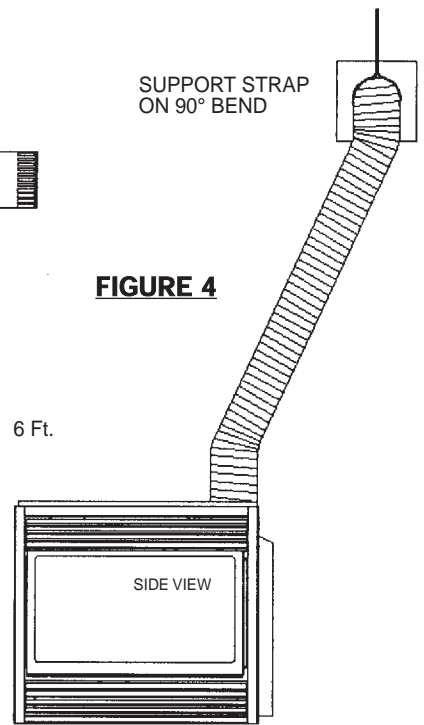


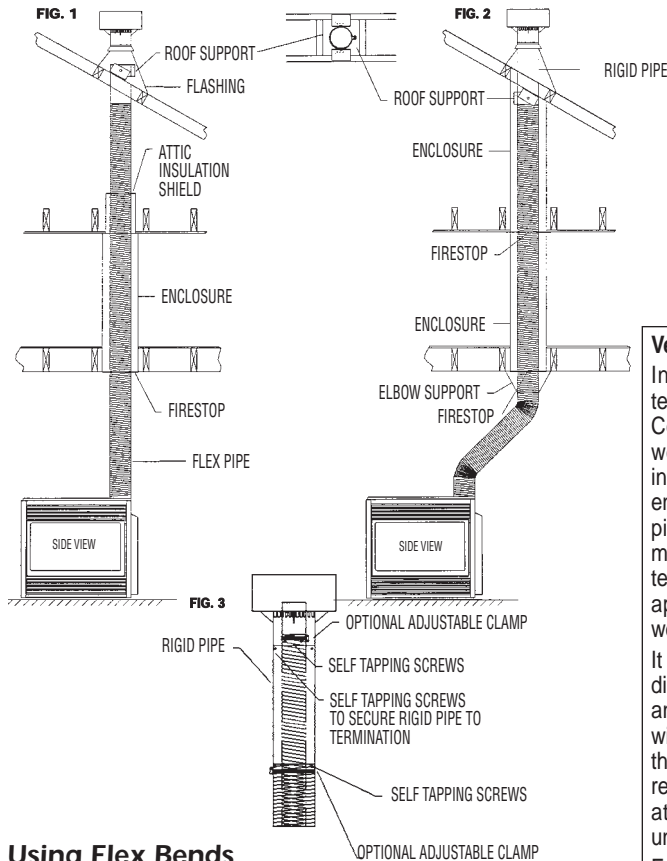
FIGURE 4



Vertical Venting

Venting Straight Up Through Roof

1. An Attic Insulation Shield must be installed where the vent passes from a lower living space into an attic space where the chimney is not enclosed. It is designed to keep insulation materials away from the chimney. See Fig. 1.
2. When installing the Attic Insulation Shield where the chimney passes from a living space to an attic space, install the shield from below and nail in place using 1" spiral nails.
3. A fire stop must be installed on the bottom side of the joists when passing through a ceiling or floor. If an attic insulation shield is to be used, a fire stop is not required.



Using Flex Bends

4. Avoid cutting joists by offsetting the flex pipe. See Fig. 2.
5. When using 45° bends a bend support is required directly above the highest bend.
6. When installing a bend in a joist area a minimum of 4" clearance to combustibles to the top of bend must be maintained, sides and bottom of pipe, a 1" clearance to combustibles must be maintained. If running horizontal through an area a 2 1/2" clearance to the top of the horizontal pipe must be maintained.
7. Maximum vertical height of system should not exceed 40 feet. Use only FDVVT40 Vertical Vent Termination on this Appliance when vertical venting.
8. Use roof support and 7" rigid pipe at roof level. Flex not permitted with in roof support.
9. When penetrating the roof a rigid 7" galvanized pipe must be used. Attach the 7" flex to the 7" rigid with high temperature sealant and use four screws assuring the flex and rigid pipe are secured. The 4" flex pipe must be secured the same way with 4 screws. Ensure they penetrate the 4" flex and 4" section of termination. Attach 7" rigid to 7" termination with sealant and screw with 4 sheet metal screws. (See Fig. 3).
10. Vertical termination clearance is 18" (inches) above the roof, measured from highest point of exit on the roof line.
11. Support vertical pipes to maintain minimum of one inch or greater clearances to combustibles.

Roof Flashing

Ensure that you have the proper roof flashing by checking your roof pitch using a level and two rulers, or by using a roof pitch card. See figure below.

Slide a Roof Flashing suitable to your roof slope over the vent. Place the edge of the flashing plate that will be on the higher part of the roof slope under the shingles. Both the sides and the lower edge lay on top of the shingles.

NOTE: At the top edge of the flashing plate, lift the shingles and nail the plate to the roof deck, then cement the shingles to the plate with a suitable waterproof mastic.

Ensure that the chimney is plumb. Square up the flashing plate and nail in place to the roof deck. Use 12 nails with neoprene washers or cover the heads with a suitable waterproof mastic.

Wrap the storm collar around the vent above the flashing. Secure the ends together loosely with nut and bolt supplied. Slide the collar down the vent until it comes in contact with the flashing. Tighten the bolt and seal the Storm Collar to the vent with a suitable waterproof non-combustible mastic.

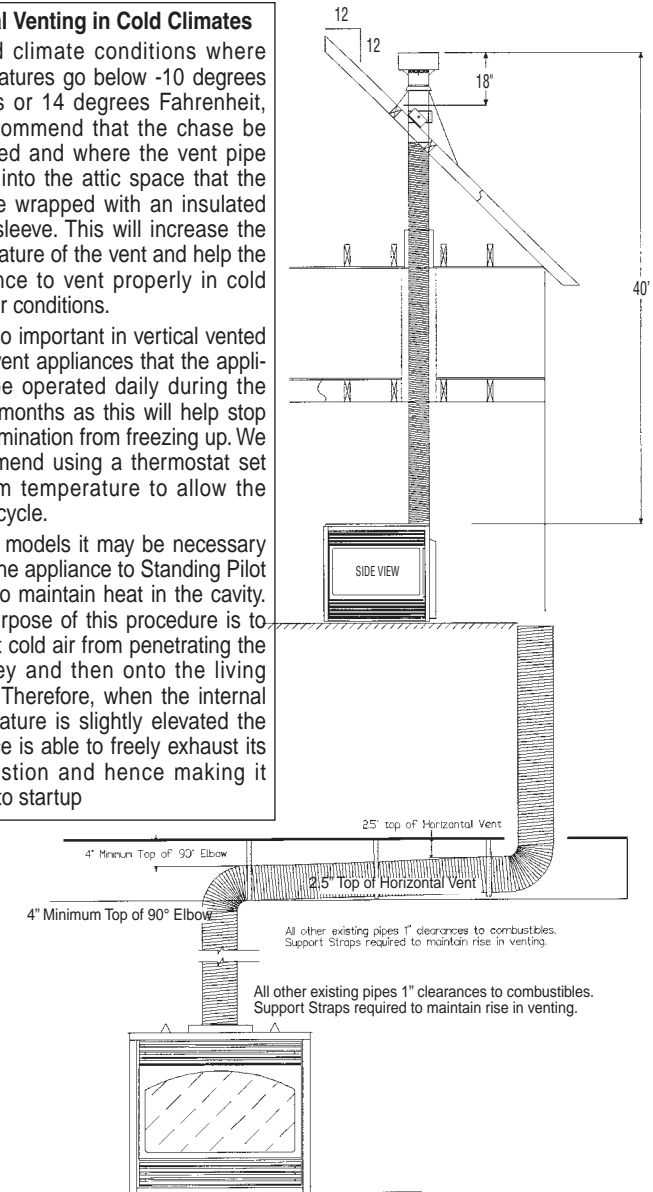
The flashing and storm collar should be painted to match the roof shingles. This will extend its life and improve the appearance. Clean, prime and paint with suitable painting products.

Vertical Venting in Cold Climates

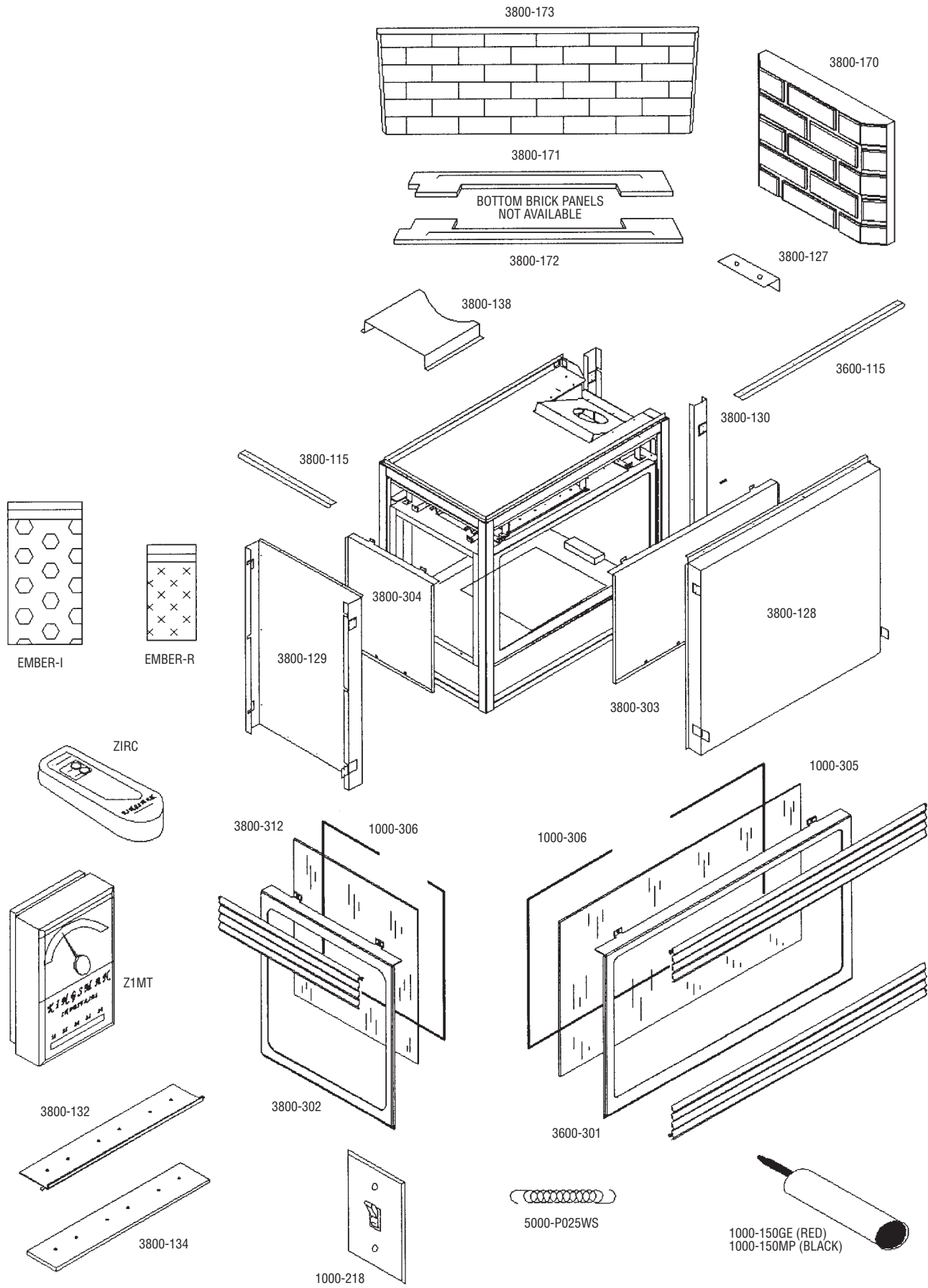
In cold climate conditions where temperatures go below -10 degrees Celsius or 14 degrees Fahrenheit, we recommend that the chase be insulated and where the vent pipe enters into the attic space that the pipe be wrapped with an insulated mylar sleeve. This will increase the temperature of the vent and help the appliance to vent properly in cold weather conditions.

It is also important in vertical vented direct vent appliances that the appliance be operated daily during the winter months as this will help stop the Termination from freezing up. We recommend using a thermostat set at room temperature to allow the unit to cycle.

For IPI models it may be necessary to set the appliance to Standing Pilot mode to maintain heat in the cavity. The purpose of this procedure is to prevent cold air from penetrating the chimney and then onto the living space. Therefore, when the internal temperature is slightly elevated the fireplace is able to freely exhaust its combustion and hence making it easier to startup

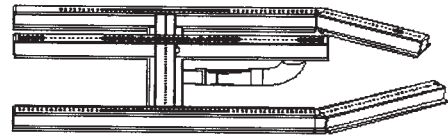


Replacement Parts



Replacement Parts (continued)

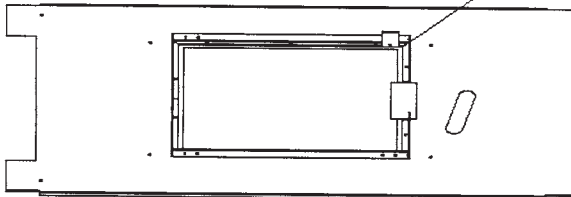
For Models MDV31/39



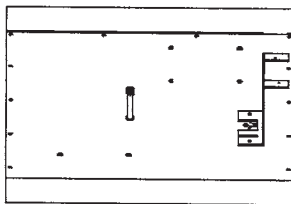
2000-224



3900-104



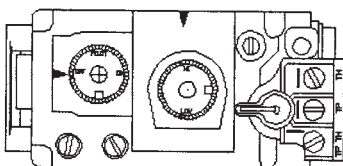
3900-101



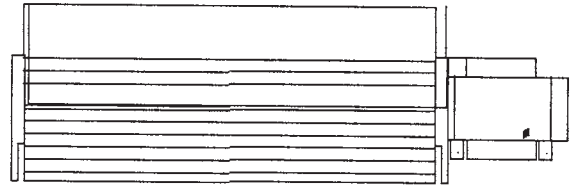
3900-125



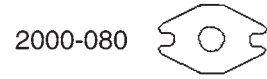
1000-255-NG-36/31
1000-255-LP-50



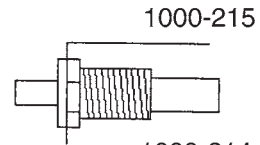
(LP) 1001-P633SI
(NG) 1001-P634SI



2000-081

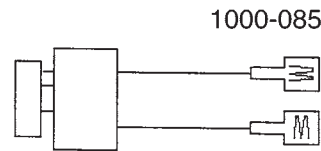


2000-080



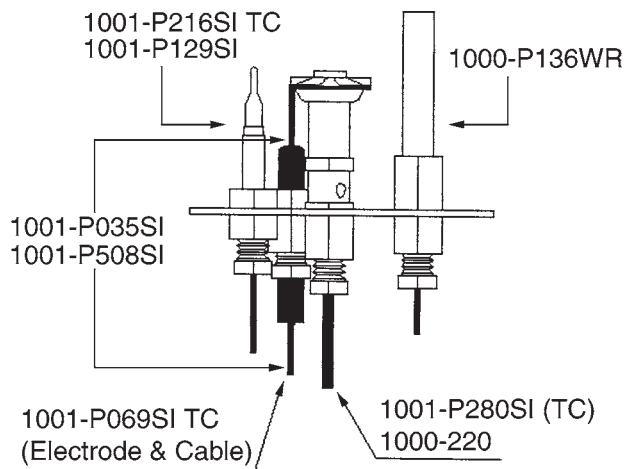
1000-215

1000-214



1000-085

1001-P606SI-LP (1001-P713SI TC)
1001-P605SI-NG (1001-P714SI TC)



1001-P216SI TC
1001-P129SI

1000-P136WR

1001-P035SI
1001-P508SI

1001-P069SI TC
(Electrode & Cable)

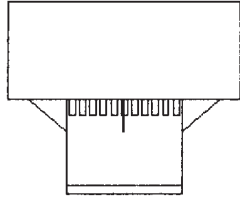
1001-P280SI (TC)
1000-220

PILOT ORIFICE NG
1001-P157SI
1001-P165SI (Top Convertible)

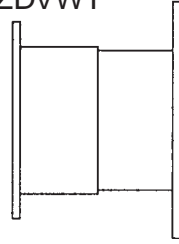
PILOT ORIFICE LP
1001-P159SI
1001-P167SI (Top Convertible)

Replacement Parts (continued)

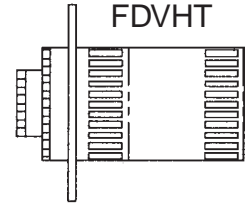
FDVVT40



ZDVWT



FDVHT



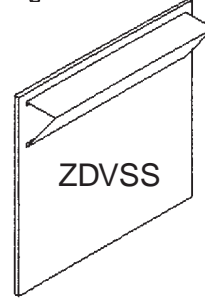
ZDV48GP



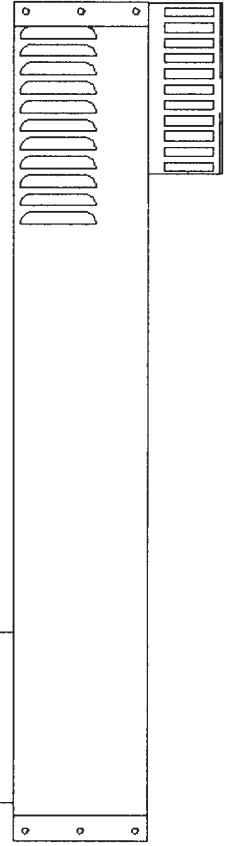
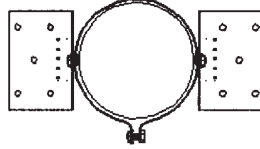
ZDV7FCL



ZDVSS



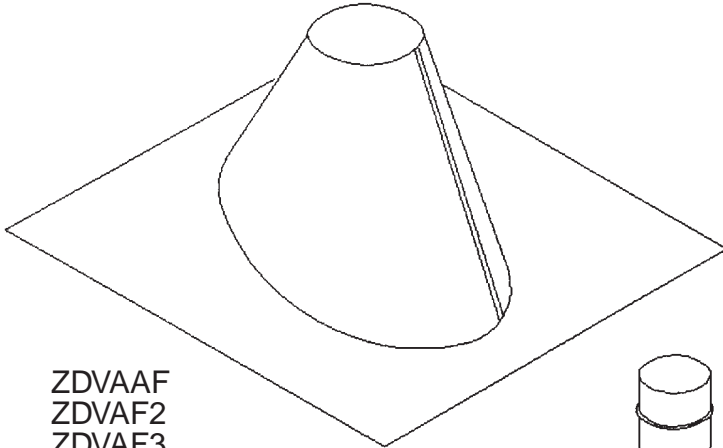
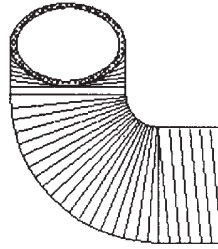
ZDVRS



ZDV7SC



ZDV4SS



ZDVAAF
ZDVAF2
ZDVAF3



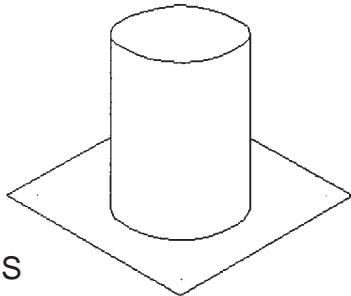
ZDV4FC



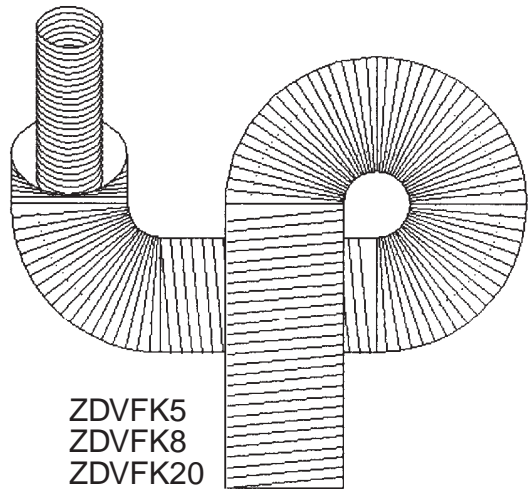
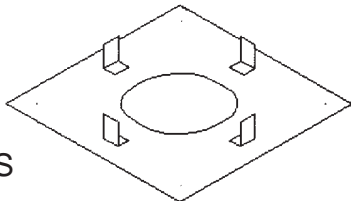
ZDV7FC

ZDVST

ZDV AIS



ZDVFS



ZDVFK5
ZDVFK8
ZDVFK20

Parts List for Models MDV31/39

MDV31/39 SERIES MULTI-SIDED DIRECT VENT FIREPLACE:

Listed for USA/Canada as a Decorative Appliance, Includes: Triple Burner, Up to Three Viewing Areas, Milli Volt Sit Valve Featuring less than 30 Sec Shut Down with Hi/Lo Adjustment, Wall Mount On/Off Switch, Ember Ash One Large Panel of Tempered Glass, Four and Seven Flue, Sloped Back, 30,000 BTU NG & LP

MDVR31N (Millivolt) Multi-Sided Fireplace, c/w Right Burner (as above)
MDVR31NE (IPI) Natural Gas

MDVR31LP (Millivolt) Multi-Sided Fireplace, c/w Right Burner (as above)
MDVR31LPE (IPI) Liquid Propane

MDVL31N (Millivolt) Multi-Sided Fireplace, c/w Left Burner (as above)
MDVL31NE (IPI) Natural Gas

MDVL31LP (Millivolt) Multi-Sided Fireplace, c/w Left Burner (as above)
MDVL31LPE (IPI) Liquid Propane

Log Sets: (Required for each unit)

LOGC31 Log Set - Seven Piece Cast Split Oak (MDV31, MDV39)

Choose Your View: (Required for each unit) Tempered Glass Kits

M30PK PENINSULA KIT - THREE SIDED VIEWING
One Large Panel of Tempered Glass
One Small Panel of Tempered Glass

M30CK CORNER KIT - TWO SIDED VIEWING
One Small Panel of Tempered Glass
One Large Clearance Shield, One Large Solid Door Panel

M30SK SEE-THROUGH KIT - TWO SIDED VIEWING
One Large Panel of Tempered Glass
One Small Clearance Shield, One Small Solid Door Panel

Ceramic Glass Kits c/w Large Orifice (39,000 BTUs) NG Unit Conversion only Caution: Use ceramic glass in kits to replace tempered glass supplied with unit.

M39PK PENINSULA KIT - THREE SIDED VIEWING
Conversion Label (39,000 BTU), 1 Orifice NG only #30
Two Large Panels of Ceramic Glass
One Small Panel of Ceramic Glass

M39SK SEE-THROUGH KIT - TWO SIDED VIEWING
Conversion Label (39,000 BTU), 1 Orifice NG only #30
Two Large Panels of Ceramic Glass
One Small Clearance Shield, One Small Solid Door Panel

M39CK CORNER KIT - TWO SIDED VIEWING
Conversion Label (39,000 BTU), 1 Orifice NG only #30
Two Pieces of Ceramic Glass, One Large Clearance
Shield, One Large Panel

GRILL KITS: (Required for each unit)

MGPKBP Grill Kit Peninsula - Classic Polish Brass (Three Sets)

MGPKBA Grill Kit Peninsula - Classic Antique Brass (Three Sets)

MGPKBC Grill Kit Peninsula - Classic Chrome (Three Sets)

MGPKBL Grill Kit Peninsula - Black (Three Sets)

MGPKAB Grill Kit Peninsula - Antique Brass (Three Sets)

MGPKCR Grill Kit Peninsula - Chrome (Three Sets)

MGCKBP Grill Kit Corner - Classic Polish Brass (Two Sets)

MGCKBA Grill Kit Corner - Classic Antique Brass (Two Sets)

MGCKBC Grill Kit Corner - Classic Chrome (Two Sets)

MGCKBL Grill Kit Corner - Black (Two Sets)

MGCKPB Grill Kit Corner - Polish Brass (Two Sets)

MGCKAB Grill Kit Corner - Antique Brass (Two Sets)

MGCKCR Grill Kit Corner - Chrome (Two Sets)

GRILL KITS or DESIGNER CLEAN VIEW CIRCULATING KIT: (Required for each unit) (MDV31 S/N:7756+)

Z36CVCK Designer Clean View Circulating Kit (Order two) for use with MCV31 30,000btu Model Only

MGSKBP Grill Kit See-Through - Classic Polish Brass (Two Sets)

MGSKBA Grill Kit See-Through - Classic Antique Brass (Two Sets)

MGSKBC Grill Kit See-Through - Classic Chrome (Two Sets)

MGSKBL Grill Kit See-Through - Black (Two Sets)

MGSKPB Grill Kit See-Through - Polish Brass (Two Sets)

MGSKAB Grill Kit See-Through - Antique Brass (Two Sets)

MGSKCR Grill Kit See-Through -Chrome (Two Sets)

Replacement Burner Assembly c/w Valve

3100-BRNG Burner Assembly - Right, Natural Gas - For Model MDVR31N

3100-BRLP Burner Assembly - Right, Liquid Propane - For Model MDVR31LP

3100-BLNG Burner Assembly - Left, Natural Gas - For Model MDVL31N

3100-BLLP Burner Assembly - Left, Liquid Propane - For Model MDVL31LP

3900-BRNG Burner Assembly - Right, Natural Gas - For Model MDVR39N

3900-BLNG Burner Assembly - Left, Natural Gas - For Model MDVL39N

ARCH DOOR FOR LARGE GLASS ONLY

Z1ADBL Arch Door Frame - Black

Z36ADDX Arch Door Frame - Deluxe Black (352)

Z36ADTH Arch Door Frame - Top Half Black (353T)

Z36ADDA Arch Door Frame - Double Arch Black (354)

Z36ADD Arch Door Frame - Double Door Arch Black (355)

Z1ADAB Arch Door Frame - Antique Black

Z36ADCR Arch Door Frame - Chrome

Z1ADPB Arch Door Frame - Polish Brass

DESIGNER DOORS FOR LARGE GLASS ONLY

Z36DDA1BL Designer Door Arch - Series 1 - Black

Z36DDTA1A Trim - Antique for Designer Arch - Series 1

Z36DDTA1C Trim - Chrome for Designer Arch Series 1

Z36DDTA1P Trim - Polish for Designer Arch - Series 1

Z36DDS1BL Designer Door Straight - Series 1 - Black

Z36DDS2BL Designer Door Straight - Series 2 - Black

Z36DDS3BL Designer Door Straight - Series 3 - Black

Z36DDTS1A Trim - Antique for Designer Straight - Series 1

Z36DDTS1C Trim - Chrome for Designer Straight - Series 1

Z36DDTS1P Trim - Polish for Designer Straight - Series 1

Fireplace

MDV38IS Insulation Sleeve 3ft. - for Low Enclosures

MDV38RLE Refractory Liner - End (Small Panel)

MDV38RLS Refractory Liner - Side (Large Panel)

Z36SAB Surround - Antique Brass
(Coverage Old Style 33 3/4" H x 39 7/8" W)

Z36SCR Surround - Chrome
(Coverage New Style 34 1/2" H x 41 1/8" W)

Z36SPB Surround - Polish Brass
(Coverage New Style 34 1/2" H x 41 1/8" W)

Z36SLAB Surround Slim Line - Antique Brass
(Coverage 34 1/4" H x 37 1/2" W)

Z36SLCR Surround Slim Line -Chrome (Coverage 34 1/4" H x 37 1/2" W)

Z36SLPB Surround Slim Line - Polish Brass
(Coverage 34 1/4" H x 37 1/2" W)

Z36SLBL Surround Slim Line - Gun Metal Black
(Coverage 34 1/4" H x 37 1/2" W)

M31CSSL Child Safety Screen - for Large Glass Only

M31CSSS Child Safety Screen - for Small Glass Only

Z36FK Fan Kit w/variable Speed Wall Mount Control
(Temperature Sensing)

Z1MT Thermostat Millivolt Wall Mount

Z80PT Thermostat Programmable Digital Millivolt Wall Mount (1F80-40)

Z1RC Remote Control Millivolt (On/Off with LED) (Model I)

ZART Remote Control Thermostat Millivolt (Model K)

RMCBN Remote Control - Basic - Natural Gas
(On/Off, Hi/Lo Flame Adjustment)

RMCBP Remote Control - Basic - Liquid Propane
(On/Off, Hi/Lo Flame Adjustment)

DCHS Remote Control Heatshield

*In the U.S.A. Thermostats are not permitted for Vented Gas Fireplaces (ANSI Z21.50b-2009 - Decorative).

MARQUIS PRODUCTS

MQROCK1 Rock Set Tan (MDV31/39, MQRB3632)

MQROCK2 Rock Set Natural (MDV31/39, MQRB3632)

MQROCK3 Rock Set Multi-Color (MDV31/39, MQRB3632)

MQRSP7 Rock Support Platform (MDV31)

MQ36SWFBL Wall Surround - Black

MQ36SWFPW Wall Surround - Pewter

MARQUIS WALL SURROUND ACCENTS

MQ36SWAKSB Wall Surround Accents - Keystone Black

MQ36SWAKSC Wall Surround Accents - Keystone Chrome

MQ36SWABBC Wall Surround Accents - Bands Black x 4, Chrome x 2

MQ36SWACB Wall Surround Accents - Corner Black

Parts List for Model MQRB3632

PART NO.	DESCRIPTION
----------	-------------

Fireplace Part Numbers

MQRB3632 SERIES MULTI-SIDED DIRECT VENT FIREPLACE:

Listed for USA/Canada as a Decorative Appliance, Includes: Burner, Up to Three Viewing Areas, Milli Volt Sit Valve Featuring less than 30 Sec. Shut Down with Hi/Lo Adjustment, Wall Mount On/Off Switch, One Large Panel of Tempered Glass, Four and Seven Flue, Sloped Back, 30,000 BTU NG & LP

MQRB3632N (Millivolt) Multi-Sided Fireplace, c/w Burner Natural Gas
MQRB3632NE (IPI)

MQRB3632LP (Millivolt) Multi-Sided Fireplace, c/w Burner Liquid Propane
MQRB3632LPE (IPI)

BURNER ROCK/LOG/GLASS OPTIONS

MQROCK2	Rock Set Natural (MDV31/39,MQRB3632)
MQROCK3	Rock Set Multi-Color (MDV31/39,MQRB3632)
MQRBD1	Driftwood and Rocks - 4 ea. (MQRB3632)
MQEMBERS	Glowing Embers - 2 ea. (MQRB3632)
MQG10W	Decorative Glass 1/2" White 10 lbs (MQRB3632)
MQG10B	Decorative Glass Black 10 lbs (MQRB3632)
MQG10C	Decorative Glass Bronze 10 lbs (MQRB3632)
MQG10A	Decorative Glass Cobalt Blue 10 lbs (MQRB3632)
MQSTONE	Decorative Stones
ULK2	Universal Light Kit (MQRB3632)

Choose Your View: (Required for each unit)

Tempered Glass Kits

M30PK	PENINSULA KIT - THREE SIDED VIEWING- One Large Panel Tempered Glass One Small Panel Tempered Glass
M30SK	SEE-THROUGH KIT - TWO SIDED VIEWING One Large Panel Tempered Glass One Small Clearance Shield, One Small Solid Door Panel

GRILL KITS: (Required for each unit)

MGPKBP	Grill Kit Peninsula - Classic Polish Brass (Three Sets)
MGPKBA	Grill Kit Peninsula - Classic Antique Brass (Three Sets)
MGPKBC	Grill Kit Peninsula - Classic Chrome (Three Sets)
MGPKBL	Grill Kit Peninsula - Black (Three Sets)
MGPKAB	Grill Kit Peninsula - Antique Brass (Three Sets)
MGPKCR	Grill Kit Peninsula - Chrome (Three Sets)

GRILL KITS or DESIGNER CLEAN VIEW CIRCULATING KIT: (Required for each unit) (MDV31 S/N:7756+)

Z36CVCK	Designer Clean View Circulating Kit (Order two) for use with MCV3, 30,000btu Model Only (No Grills Req.)
MGSKBP	Grill Kit See-Through - Classic Polish Brass (Two Sets)
MGSKBA	Grill Kit See-Through - Classic Antique Brass (Two Sets)
MGSKBC	Grill Kit See-Through - Classic Chrome (Two Sets)
MGSKBL	Grill Kit See-Through - Black (Two Sets)
MGSKPB	Grill Kit See-Through - Polish Brass (Two Sets)
MGSKAB	Grill Kit See-Through - Antique Brass (Two Sets)
MGSKCR	Grill Kit See-Through - Chrome (Two Sets)

MARQUIS PRODUCTS (for use with Designer Clean View Kit)

MQ36SWFBL Wall Surround - Black
MQ36SWFPW Wall Surround - Pewter

MQ36SWAKSB Wall Surround Accents - Keystone Black
MQ36SWAKSC Wall Surround Accents - Keystone Chrome
MQ36SWABBC Wall Surround Accents - Bands Black x 4, Chrome x 2
MQ36SWACB Wall Surround Accents - Corner Black

Replacement Burner Assembly c/w Valve

3632-BRNG Burner Assembly - Natural Gas - (MQRB3632N)
3632-BRLP Burner Assembly - Liquid Propane - (MQRB3632LP)

ARCH DOOR FOR LARGE GLASS ONLY

Z1ADBL Arch Door Frame - Black
Z36ADDX Arch Door Frame - Deluxe Black (352)
Z36ADTH Arch Door Frame - Top Half Black (353T)
Z36ADDA Arch Door Frame - Double Arch Black (354)
Z36ADDD Arch Door Frame - Double Door Arch Black (355)
Z1ADAB Arch Door Frame - Antique Black
Z36ADCR Arch Door Frame - Chrome
Z1ADPB Arch Door Frame - Polish Brass

DESIGNER DOORS FOR LARGE SIDE ONLY

Z36DDA1BL Designer Door Arch - Series 1 - Black
Z36DDTA1A Trim - Antique for Designer Arch - Series 1
Z36DDTAC Trim - Chrome for Designer Arch Series 1
Z36DDTA1P Trim - Polish for Designer Arch - Series 1
Z36DDS1BL Designer Door Straight - Series 1 - Black
Z36DDS2BL Designer Door Straight - Series 2 - Black
Z36DDS3BL Designer Door Straight - Series 3 - Black
Z36DDTS1A Trim - Antique for Designer Straight - Series 1
Z36DDTS1C Trim - Chrome for Designer Straight - Series 1
Z36DDTS1P Trim - Polish for Designer Straight - Series 1

Liners -

MQRB36PL Porcelain Liner (2 ea.)

Fireplace Accessories Options

MDV38IS Insulation Sleeve 3ft. - for Low Enclosures
Z36SAB Surround - Antique Brass (Coverage Old Style 33 3/4" H x 39 7/8" W)
Z36SCR Surround - Chrome (Coverage New Style 34 1/2" H x 41 1/8" W)
Z36SPB Surround - Polish Brass (Coverage New Style 34 1/2" H x 41 1/8" W)
Z36SLAB Surround Slim Line - Antique Brass (Coverage 34 1/4" H x 37 1/2" W)
Z36SLCR Surround Slim Line - Chrome (Coverage 34 1/4" H x 37 1/2" W)
Z36SLPB Surround Slim Line - Polish Brass (Coverage 34 1/4" H x 37 1/2" W)
Z36SLBL Surround Slim Line - Gun Metal Black (Coverage 34 1/4" H x 37 1/2" W)
M31CSSL Child Safety Screen - Large Side Only
M31CSSS Child Safety Screen - Small Side Only
Z36FK Fan Kit w/Variable Speed Wall Mount Control (Temperature Sensing)
Z1MT Thermostat Millivolt Wall Mount
Z80PT Thermostat Programmable Digital Millivolt Wall Mount (1F80-40)
Z1RC Remote Control Millivolt (On/Off with LED) (Model I)
ZART Remote Control Thermostat Millivolt (Model K)
RMCBN Remote Control - Basic - Natural Gas (On/Off, Hi/Lo Flame Adjustment)
RMCBP Remote Control - Basic - Liquid Propane (On/Off, Hi/Lo Flame Adjustment)
DCHS Remote Control Heatshield

*In the U.S.A. Thermostats are not permitted for Vented Gas Fireplaces (ANSI Z21.50b-2009 - Decorative).

Valve System Parts

(If Serial Number is LESS than: 31089 for MDV30; 38322 for MVDV38)

1000-P136WR	Thermopile GOAI-524
1001-P035SI	Electrode Sparker 915.035 SIT
1001-P129SI	Thermocouple 290.129 SIT unified
1001-P157SI	Orifice Pilot LP 977.157 SIT
1001-P159SI	Orifice Pilot NG 977.159 SIT
1001-P508SI	HT Cable 16
1001-P633SI	Valve Nova LP Hi/Lo 0820633/651
1001-P634SI	Valve Nova NG Hi/Lo 0820634/652
1001-P605SI	Pilot Burner LP 190.605 unified SIT
1001-P606SI	Pilot Burner NG 190.606 unified SIT

Valve System Parts New Top convertible SIT System (Millivolt) - MDV31/39 (If Serial Number is GREATER than: 31088 for MDV30 or 38321 for MVDV38)

1000-P136WR	Thermopile GOAI-524
1001-P069SI	Electrode & Cable 915.069 TC SIT
1001-P216SI	Thermocouple 290.216 TC SIT
1001-P165SI	Orifice Pilot NG 977.165 TC SIT
1001-P167SI	Orifice Pilot LP 977.167 TC SIT
1001-P633SI	Valve Nova LP Hi/Lo 0820633/651
1001-P634SI	Valve Nova NG Hi/Lo 0820634/652
1001-P713SI	Pilot Burner LP 199.713 TC SIT
1001-P714SI	Pilot Burner NG 199.714 TC SIT

Valve System Parts - IPI System	*In the U.S.A. Thermostats are not permitted for Vented Gas Fireplaces (ANSI Z21.50b-2009 -Decorative).
Electronic Ignition/Remote Control IPI	
EGTRC	Remote Control IPI (Thermostat)

EGTMRCN	Remote Control IPI (Thermostat/Modulating - NG)
EGTMRCP	Remote Control IPI (Thermostat/Modulating - LP)
EGTFRCN	Remote Control IPI (Thermostat/Modulating/Fan - NG)
EGTFRCP	Remote Control IPI (Thermostat/Modulating/Fan - LP)

Electronic Ignition Replacement Parts IPI

1002-P001si	Valve IPI (NG; ON/OFF)
1002-P002si	Valve IPI (LP; ON/OFF)
1006-P002si	Valve IPI (NG; Hi/Lo)
1006-P603si	Valve IPI (LP; Hi/Lo)
1002-P047si	Pilot Assembly (LP)
1002-P033si	Pilot Assembly (NG)
1002-P089si	Spark Electrode (Long)
1002-P113si	Electrode Flame Sensor (Long)
1002-P302si	IPI Ignition Board
1002-P850si	AC Wall Adapter
1002-P12BH	Battery Pack
1002-P912si	Wiring Harness
1002-P166si	Orifice Pilot (NG #62)
1002-P168si	Orifice Pilot (LP #35)
1002-P013si	Stepper Motor (NG)
1002-P012si	Stepper Motor (LP)
1002-P016is	Hi/Lo Regulator (NG)
1002-P014si	Hi/Lo Regulator (LP)

Miscellaneous Parts

1000-150GE	#Silicone GE Red IS806 #736
1000-150MP	#Hi-Temp Mill Pac Sealant 840099
1000-214	#Piezo-Igniter 1244-17 Mark 21
1000-215	#Pal Nut (18MMX1.5MM)BLK (1364.03)
1000-218	#Switch Ivory (1451/001)

1000-227	#Cover Ivory (86001/001)
1000-255	#Orifice Brass - (State Size)
1000-EMBER	#Glowing Moon Rock
3800-134	#Explosion Felt Gasket
2000-080	#Thermodisc 2450 (For Blower)
2000-081	#Blower Motor QLN65/2400
1000-085	#Control Variable Speed KBWC-13BV
1000-306	Thermalcord - Adhesive Back for Door Frame
1000-305	Ceramic Glass - Side (All Models)
3800-312	Ceramic Glass - End (All Models)
3800-313	Tempered Glass - End (MDV30/31 only)
3600-311	Tempered Glass - Side (MDV30/31 only)

Conversion Kit (SIT Valve only)

31MDV-CKLP	LP Conversion Kit for MDVR31, MDVL31 (Millivolt)
31MDV-CKNG	NG Conversion Kit for MDVR31, MDVL31 (Millivolt)
3632RB-CKLP	LP Conversion Kit for MQRB3632 (Millivolt)
3632RB-CKNG	NG Conversion Kit for MQRB3632 (Millivolt)
31MDV-CKLPI	LP Conversion Kit for MDVR31LPE, MDVL31LPE (IPI)
31MDV-CKNGI	NG Conversion Kit for MDVR31NE, MDVL31NE (IPI)
3632RB-CKLPI	LP Conversion Kit for MQRB3632LPE (IPI)
3632RB-CKNGI	NG Conversion Kit for MQRB3632NE (IPI)

Kingsman Fireplace Venting

Catalog Number	Description
ZDVHSK	Horizontal Vent Starter Kit - 3 FT Length Horizontal Vent Termination, Wall Thimble, 36" Flex Pipe, Mill Pac
ZDVHSKSQ	Horizontal Starter Kit Square Termination, Wall Thimble, 3 FT Flex Pipe, Mill Pac
ZDVHSK5	Horizontal Vent Starter Kit - 5 FT Length Horizontal Vent Termination, Wall Thimble, 60" Flex Pipe, Mill Pac
FDVVT40	Vertical Vent Termination (ONLY)
FDVHT	Horizontal Vent Termination
FDVHSQ	Horizontal Square Termination
ZDVST	Horizontal Snorkel Termination (34" Tall, 24" Center to Center)
FDVHSC	Safety Cage for Horizontal Termination
ZDVAIS	Attic Insulation Shield
ZDVVOS	Offset Support
ZDVFS	Firestop Spacer
ZDVRS	Roof Support
ZDVWT	Wall Thimble (Horizontal Venting)
ZDVSS	Siding Shield
ZDV48GP	Galvanized Pipe 7" Dia. x 48" (Vertical Installations)
ZDVAAF	Flashing 7" c/w Storm Collar (1/12 to 7/12)
ZDVAF2	Flashing 7" c/w Storm Collar (8/12 to 12/12)
ZDVAF3	Flashing 7" c/w Storm Collar Flat
ZDV7SC	Storm Collar 7"
ZDVFK5	Flex Kit (4" & 7" Dia.) x 2.5' (Unexpanded) 5' Expanded
ZDVFK8	Flex Kit (4" & 7" Dia.) x 4' (Unexpanded) 8' Expanded
ZDVFK20	Flex Kit (4" & 7" Dia.) x 10' (Unexpanded) 20' Expanded *Kits are complete with spring stand-offs, silicone.
ZDV4FC	Flex Connector 4" Diameter
ZDV7FC	Flex Connector 7" Diameter
ZDV4SS	Spring 4" Standoff Spacer
ZDVDA	Dura-Vent Fireplace Adapter

Trouble Shooting The Gas Control System



WARNING: BEFORE DOING ANY GAS CONTROL SERVICE WORK, REMOVE THE GLASS FRONT.

NOTE: Before troubleshooting the gas control system, be sure external gas shut off is in the “On” position.

Problem	Possible Causes	Corrective Action
Spark igniter will not light.	Defective or misaligned electrode at pilot.	Check for spark at electrode and pilot: if no spark and electrode wire is properly connected, replace igniter.
	Defective igniter (push-button)	Using a match, light pilot. If pilot lights, turn off pilot and push the red button again. If pilot will not light - check gap at electrode and pilot should be 1/8” to 1/4” to have a strong spark.
Pilot will not stay lit after carefully following lighting instructions.	Defective thermocouple (flame switch where applicable)	Check pilot flame. Must impinge on generator and thermocouple. Clean and/or adjust pilot for maximum flame impingement on generator and thermocouple. Replace thermocouple if pilot will not hold. (Hand tight 1/8 turn on replacement)
	Defective valve magnet.	Replace valve, if pilot won't hold after the thermocouple is replaced.
Pilot burning, no gas to burner, Valve knob “ON”, Wall Switch “ON”	Wall switch or wires defective.	Check wall switch and wires for proper connections. Jumper wire across terminals at wall switch. If burner comes on, replace defective wall switch. If okay, jumper wires, across wall switch wires at valve. If burner comes on, wires are faulty or connections are bad.
	Generator may not be generating sufficient voltage.	Check generator with millivolt meter. Take reading at generator terminals of gas valve. Should read 325 millivolts minimum while holding valve knob depressed in pilot position and wall switch “off” Replace faulty generator if reading is below specified minimum.
	Plugged burner orifice.	Check burner orifice for stoppage and remove.
	Defective automatic valve operator.	Remove wall switch wires from gas valve. Install jumper wires from top bottom terminals of gas valve. Turn valve on “ON”. If main burner does not light, replace valve.
Frequent Pilot outage problem.	Pilot flame may be too low or blowing (high) causing the pilot safety to drop out.	Clean and/or adjust pilot flame for maximum flame impingement on generator and thermocouple.
Flame lifts off burner and goes out in less than 30 seconds	Inner 4” liner has come off flue or termination, flame is starving for oxygen	Attach 4” liner to flue or termination using screws, silicone and clamps as stated in manual.
Flame lifts off burner on one side while the rest of the flame remains lit.	Improper installation of firebrick. Firebrick is likely leaning.	Be sure to position firebrick against firebox walls and be sure to use brick clips attached to the inner side of firebox.

-Glass Safety- All Units



IT IS THE RESPONSIBILITY OF THE HOME OWNER TO ENSURE THAT NO ONE TOUCHES A HOT APPLIANCE. Optional safety screens are available for most appliances. Check with your dealer to find out if one is available for your unit, or if an aftermarket free standing safety screen is available.

- Children and adults should be alerted to the hazards of the high surface temperatures of this appliance and should stay away to avoid burns or ignition of clothing.
- Do not clean when the glass is hot.
- Young children should be carefully supervised when they are in the same room as the appliance. Toddlers, young children and others may be susceptible to accidental contact burns.
- A physical barrier is recommended if there are at risk individuals in the house. To restrict access to a fireplace or stove, install an adjustable safety gate to keep toddlers, young children and other at risk individuals out of the room and away from hot surfaces.
- Do not leave the fireplace remote control where it is accessible to children.

-Termination Cap Safety- All Units



**SAFETY CAGES ARE AVAILABLE FOR ALL HORIZONTAL VENT TERMINATIONS.
CHECK WITH YOUR DEALER.**

- **TERMINATION CAP IS HOT!** Do not place flammable materials on or within 24 inches of termination caps.
- It is imperative that the vent termination be located observing the minimum clearances as shown in manual.
- There must not be any obstruction such as bushes, garden sheds, fences, decks or utility buildings within 24" from the front of the termination plate.
- Do not locate termination where excessive snow or ice build-up may occur. Be sure to check vent termination area after snow falls and clear to prevent accidental blockage of venting system. When using snow blowers, make sure snow is not directed towards vent termination area.
- Venting terminal shall not be recessed into a wall or siding.



LIMITED LIFETIME WARRANTY

This Limited Lifetime Warranty applies only while the unit remains at the site of the original installation and only if the unit is installed inside the continental United States, Alaska, Hawaii, and Canada. The warranty applies only if the unit is installed and operated in accordance with the printed instructions and in compliance with applicable installation and building codes and good trade practices.

BASIC ONE YEAR WARRANTY

During the first year after installation, we will provide a replacement for any component part of your unit found to be defective in materials or workmanship, including labour costs. Repair work requires prior approval by Kingsman, labour costs are based on a predetermined rate schedule and any repair work must be done through an authorized Kingsman dealer.

(Excluded Components: Accent Light Bulbs, Gasketing and Paint)

LIMITED LIFETIME WARRANTY

The heat exchanger, combustion chamber and burner of every Kingsman product excluding the Outdoor Firepit are warranted against materials or workmanship during the period the product is owned by the original owner. The part to be replaced must be returned to our distributor in exchange for the replacement part. Any labor, material, freight and/or handling charges associated with any repair or replacement pursuant to this Limited Lifetime Warranty will not be covered by this warranty.

GENERAL TERMS

In lieu of providing a replacement part, we may, at our option, provide the distributor's component purchase price from us or a credit equal to the distributor's component purchase price from us toward the purchase of any new unit which we distribute. If a credit is given in lieu of a replacement part, the rating plate from the unit being replaced must be submitted on a warranty claim, and the unit being replaced must be made available to our distributor for disposition.

In establishing the date of installation for any purpose, including determination of the starting date for the term of this Limited Lifetime Warranty, reasonable proof of the original installation date must be presented*, otherwise the effective date will be based upon the date of manufacture plus thirty (30) days.

We will not be responsible for and you, the user, will pay for: (a) damages caused by accident, abuse, negligence, misuse, riot, fire, flood, or Acts of God (b) damages caused by operating the unit where there is a corrosive atmosphere containing chlorine, fluorine, or any other damaging chemicals (other than in a normal residential environment) (c) damages caused by any unauthorized alteration or repair of the unit affecting its stability or performance (d) damages caused by improper matching or application of the unit or the unit's components (e) damages caused by failing to provide proper maintenance and service to the unit (f) any expenses incurred for erecting, disconnecting or dismantling the unit (g) parts or supplies used in connection with service or maintenance (h) damage repairs, inoperation or inefficiency resulting from faulty installation or application (i) electricity or fuel costs or any increase in electricity or fuel cost whatsoever including additional or unusual use of supplemental electric heat.

We shall not be liable for any incidental, consequential, or special damages or expenses in connection with any use or failure of this unit. We have not made and do not make any representation or warranty of fitness for a particular use or purpose, and there is no implied condition of fitness for a particular use or purpose. We make no express warranties except as stated in this Limited Lifetime Warranty. No one is authorized to change this Limited Lifetime Warranty or to create for us any other obligation or liability in connections with this unit. Any implied warranties shall last for one year after the original installation. Some states and provinces do not allow the exclusion or limitation of incidental or consequential damages or do not allow limitations on how long an implied warranty or condition lasts, so the above limitations or exclusions may not apply to you. The provisions of this limited warranty are in additions to and not a modification of or subtraction from any statutory warranties and other rights and remedies provided by law.

Save this certificate. It gives you specific legal rights, and you may also have other rights which may vary from state to state and province to province.

In the event your unit needs servicing, contact your dealer or contractor who installed or serviced your unit. When requesting service, please have the model and serial number from each unit readily available. If your dealer needs assistance, the distributor is available for support and we, in turn support the distributor's efforts.

Fill in the installation date and model and serial numbers of the unit in the space provided below and retain this limited warranty for your files.

Model No. _____ Serial No. _____ Date installed _____

Dealer or Contractor Name: _____

*To receive advantage of your warranty, you must retain the original records that can establish the installation date of your unit.