

— & —
COSMO

DIRECT VENT GAS FIREPLACES



— HEAT & GLO —



FUNDAMENTALLY MODERN



Cover and Above Top: COSMO 42 shown with martini front in ebony, reflective liner and ebony glass
Above Bottom: COSMO 42 shown with tonic front in graphite and ebony glass
Right: COSMO 32 shown with tonic front in fog gray, reflective liner and natural logs

COSMO

Reap the benefits of form and function. Clean lines and elegant ambiance never go out of style.

MODERN FUNDAMENTALS

A linear design and long ribbon flame form a broad and warming firescape. Two sizes and several finishing options create a fundamentally modern look for any space.

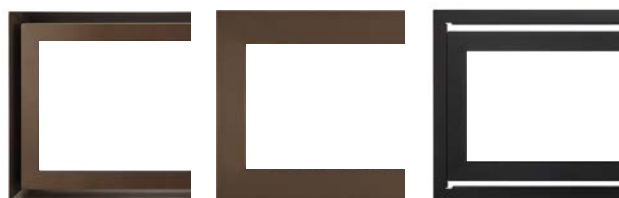
YOUR FIRE. YOUR WAY.

Select a front, choose an interior option or add a reflective glass liner. And make the look your own.



FRONT OPTIONS

Select a front for a unique look. Available in ebony, new bronze, graphite, brushed stainless steel or fog gray¹.



MARTINI

TONIC (42)

TONIC (32)



EBONY



NEW BRONZE



GRAPHITE



BRUSHED STAINLESS STEEL



FOG GRAY

¹: Not all finishes available on each front, see dealer for details.

REFLECTIVE BLACK GLASS LINER

Create a mood so cool, it's hot. A reflective glass liner radiates the fire and intensifies the flame.



OPTIONAL REMOTE

Set the mood from a distance with a remote.



INTERIOR OPTIONS



CRYSTAL GLASS



EBONY GLASS



AMBER GLASS



COBALT GLASS



BLACK GLASS BEADS



WHITE GLASS BEADS



CLEAR GLASS BEADS



CERAMIC FIBER STONES



NATURAL LOGS

COSMO TECHNOLOGIES

INTELLIFIRE™ IGNITION SYSTEM



The IntelliFire™ Ignition System (IPI) is an advanced intermittent pilot ignition system. IPI constantly monitors ignition, ensures safe functioning and conserves up to \$10/month in energy costs.

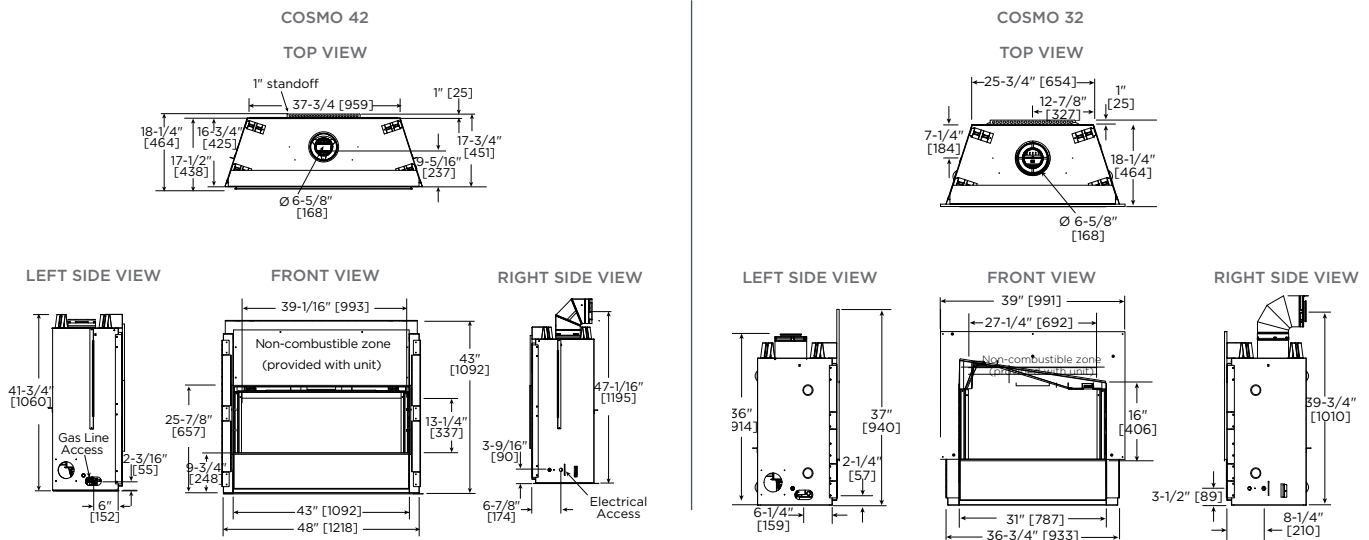
DIRECT VENT TECHNOLOGY



Direct Vent fireplaces remove 100% of combustion exhaust and odors outside of the home. These sealed fireplaces provide optimal heat, conserve energy and ensure clean, safe indoor air quality.

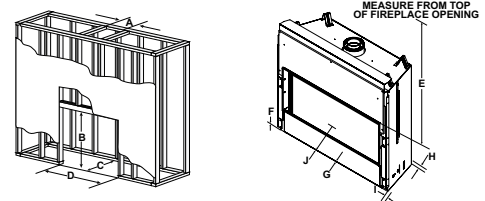
COSMO SPECIFICATIONS

MODEL	FRONT WIDTH		BACK WIDTH		HEIGHT		DEPTH		GLASS SIZE ²	BTU/HOUR INPUT
	UNIT	FRAMING	UNIT	FRAMING	UNIT	FRAMING	UNIT	FRAMING		
COSMO 42	48 [1219]	50 [1270]	37-3/4 [959]	50 [1270]	41-3/4 [1061]	42-1/4 [1073]	18-1/4 [464]	18-1/4 [464]	39-1/16 x 13-1/4 [993 x 337]	26,000 (NG) 25,000 (LP)
	36-3/4 [933]	37-3/4 [959]	25-3/4 [654]	37-3/4 [959]	37 [940]	36-1/2 [927]	18-1/4 [464]	18-1/4 [464]		
COSMO 32									27-1/4 x 13-1/4 [692 x 337]	20,000 (NG) 17,500 (LP)



FRAMING DIMENSIONS (DRAWINGS SHOWN ON RIGHT)

MODEL	A	B	C	D	E	F	G	H	I	J
COSMO 42	8-5/8 (219mm)	42-1/4 (1073mm)	18-1/4 (464mm)	50 (1270mm)	31 (787mm)	0 (0mm)	0 (0mm)	1 (25mm)	1 (25mm)	36 (914mm)
COSMO 32	8-5/8 (219mm)	36-1/2 (927mm)	18-1/4 (464mm)	37-3/4 (959mm)	31 (787mm)	0 (0mm)	0 (0mm)	1 (25mm)	1/2 (13mm)	36 (914mm)



Dimensions in diagrams are in inches and millimeters. Product information is not complete and is subject to change without notice. Product installation must adhere strictly to instructions shipped with product. We recommend measuring individual units at installation. Assumes the use of 1/2" sheetrock. NOTE: Combustible material should not cover the face. Make sure you do NOT cover the decorative door opening.

Refer to installation manual for detailed specifications on installing this product. Heat & Glo reserves the right to update units periodically. The flame and ember appearance may vary based on the type of fuel burned and the venting configuration used. Actual product appearance, including flame, may differ from product images.

U.S. EFFICIENCIES

Steady State - Since most homeowners use their fireplaces for an extended time while they are in the room, Steady State measures how efficiently your fireplace converts fuel to heat once it is warmed up and running in a "steady state".

AFUE - AFUE rating is more typically used with appliances, like your furnace, that continually cycle on and off to maintain a constant temperature.

RATING	COSMO 42	COSMO 32
STEADY STATE	72.7% (NG)	68.3% (NG)
AFUE	55.5% (NG)	57.4% (NG)

CANADA EFFICIENCIES

EnerGuide (CSA P.4.1-02) - EnerGuide is a rating used in Canada to measure annual fireplace efficiency.

RATING	COSMO 42	COSMO 32
ENERGUIDE (CSA P.4.1-02)	57.0% (NG)	57.4% (NG)

For complete information on this model, please contact us at:

HEAT & GLO

No one builds a better fire

Web: heatnglo.com
Phone: (888) 427-3973 (952) 985-6000
E-mail: info@heatnglo.com

[facebook.com/HeatandGlo](https://www.facebook.com/HeatandGlo)
twitter.com/HeatandGlo
[youtube.com/HeatandGlo](https://www.youtube.com/HeatandGlo)

HNG-1092U-0415

LIMITED LIFETIME WARRANTY³

The strongest in the industry, Heat & Glo provides a limited lifetime warranty on the most important aspects: firebox and heat exchanger.

1: Not all finishes available on each front, see dealer for details.
2: Dimensions shown in diagram are opening size, not glass size.
3: For full warranty details see heatnglo.com
Fireplace glass and other surfaces get extremely HOT and can cause severe burns if touched. Do not remove the protective safety screen from the front of the glass. Keep a safe distance away. To learn more visit www.heatnglo.com/fireplace-safety

