

IMPORTANT: THIS IS DATED INFORMATION. Parts must be ordered from a dealer or distributor. **Hearth and Home Technologies does not sell directly to consumers.** Provide model number and serial number when requesting service parts from your dealer or distributor.



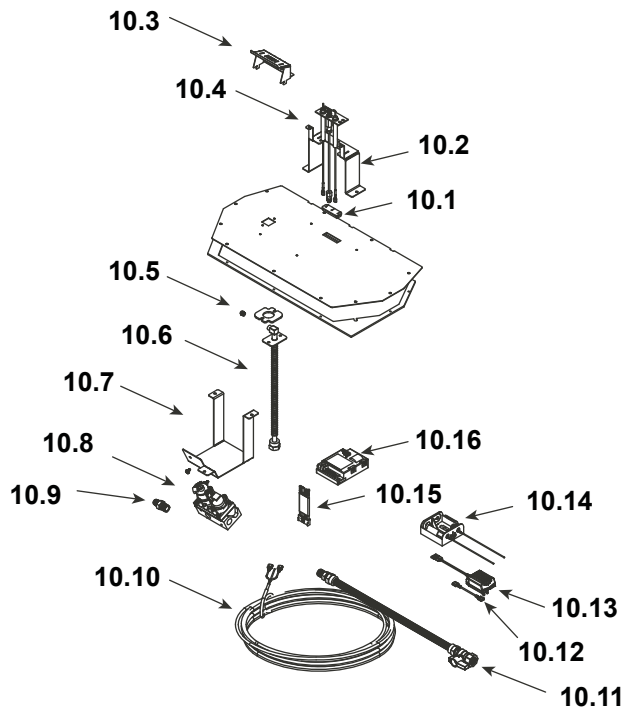
Stocked at depot

ITEM	DESCRIPTION	COMMENTS	PART NUMBER	
1	Elbow Heat Shield		2269-168	
2	Sheet Rock Ledge		2269-114	
3	Top Panel, Finishing Edge		2269-102	
4	Non Combustible Board, Top		2269-403	
5	Media Tray		2269-118	
6	Base Pan		2269-117	
7	Burner NG		2269-007	Y
8	Glass Door Assembly		SRV-GLA32	Y
9	Lower Cover Panel		2269-103	
10	Valve Assembly		Refer to valve page	
11	Junction Box		4021-013	Y
12	Junction Box Bracket		2269-154	

No one builds a better fire

Beginning Manufacturing Date: Oct 2011
Ending Manufacturing Date: Active

#10 Valve Assembly



IMPORTANT: THIS IS DATED INFORMATION. Parts must be ordered from a dealer or distributor. **Hearth and Home Technologies does not sell directly to consumers.** Provide model number and serial number when requesting service parts from your dealer or distributor.



Stocked at Depot

ITEM	DESCRIPTION	COMMENTS	PART NUMBER	
10.1	3-Hole Grommet		2118-420	
10.2	Pilot Bracket		2269-127	
10.3	Pilot Shield		2269-123	
10.4	Pilot Assembly NG		2208-012	Y
	Pilot Assembly LP		2208-013	Y
10.5	Orifice NG (#45C)		582-845	Y
	Orifice LP (1.25 mm C)		582-8125	Y
10.6	Bulkhead W/Flex Tube		383-302A	Y
10.7	Valve Bracket		2269-153	
10.8	Valve NG		593-500	Y
	Valve LP		593-501	Y
10.9	Male Connector	Pkg of 5	303-315/5	Y
10.10	Thermostat Wire Assembly		2118-170	Y
10.11	Flex Ball Valve Assembly		531-320A	Y
10.13	3 Volt Transformer		593-593A	Y
10.14	Battery Pack		593-594A	Y
10.15	Module Wire Assembly		593-590A	Y
10.16	Module		593-592	Y

Additional service part numbers appear on following page.

