

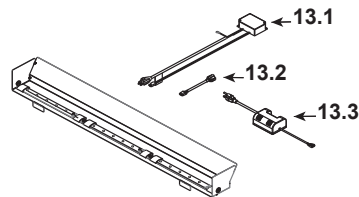
**IMPORTANT: THIS IS DATED INFORMATION.** Parts must be ordered from a dealer or distributor. **Hearth and Home Technologies does not sell directly to consumers.** Provide model number and serial number when requesting service parts from your dealer or distributor.



**Stocked at Depot**

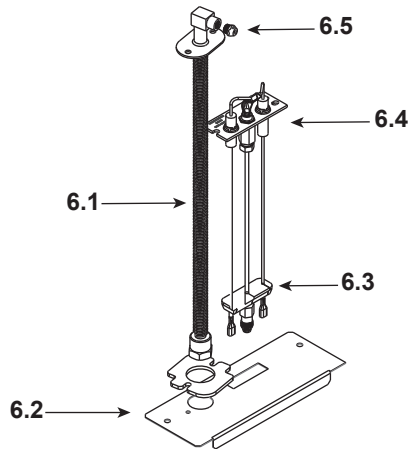
ITEM	DESCRIPTION	COMMENTS	PART NUMBER	
1	Non-combustible Board, Top		2300-460	
2	Standoff, Top	Qty 4 req	2300-199	
3	Non-combustible Board, Side	Qty 2 req	2300-461	
4	Bottom glass		2300-018	
5	Burner		2300-007	Y
6	Pilot Assembly		<b>See Following Page</b>	
7	Shield, Pilot		2300-195	
8	Glass Assembly		GLA-48-HNG	
9	Shield., Bottom Glass		2300-179	
10	Panel, Bottom		2300-147	
11	Rock Tray		2300-151	
12	Rail, Burner	Qty 2 req	2300-338	

### #13 LED Light Assembly

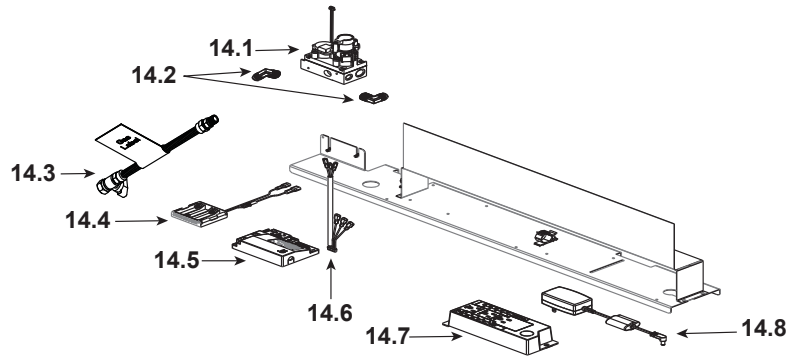


13	LED Light Assembly		ALK-48	
13.1	LED 12V Power Supply		2273-308	Y
13.2	Cord Assembly		2101-084	Y
13.3	AUX RC300		2166-335	Y

### #6 Pilot Assembly



### #14 Valve Assembly



**IMPORTANT: THIS IS DATED INFORMATION.** Parts must be ordered from a dealer or distributor. **Hearth and Home Technologies does not sell directly to consumers.** Provide model number and serial number when requesting service parts from your dealer or distributor.



**Stocked  
at Depot**

ITEM	DESCRIPTION	COMMENTS	PART NUMBER	
6.1	Bulkhead W/Flex tube		2166-119	Y
6.2	Plate Flex and Pilot		2300-163	
6.3	3-Hole Grommet		2118-420	
6.4	Pilot Assembly, NG		2090-012	Y
	Pilot Assembly, LP		2090-013	Y
6.5	Orifice, NG #.124		582-8124	Y
	Orifice, LP #49C		582-849	Y
14.1	Valve, NG		2166-302	Y
	Valve, LP		2166-303	Y
14.2	Elbow	Qty 2 req	4021-045	
14.3	Flex Ball Valve Assembly		302-320A	Y
14.4	Battery Pack**		2166-323	Y
14.5	Module		2166-307	Y
14.6	Wire Harness		2166-304	Y
14.7	Junction Box		4021-013	Y
14.8	DC Regulator		2326-131	Y

\*\*Fuse for battery pack can be sourced locally, not a warranty item. Specs are 250v, 1A fuse, 3/4" long

Additional service part numbers on following page.

No one builds a better fire

Beginning Manufacturing Date: June 2014  
Ending Manufacturing Date: Active

IMPORTANT: THIS IS DATED INFORMATION. Parts must be ordered from a dealer or distributor. **Hearth and Home Technologies does not sell directly to consumers.** Provide model number and serial number when requesting service parts from your dealer or distributor.



**Stocked  
at Depot**

ITEM	DESCRIPTION	COMMENTS	PART NUMBER	
	Cable, Linear		2300-754	Y
	Flue Restrictor		385-128	
	Fiber Glass Rope		060-455	
	Gasket Assembly Contains: Vent, Burner Neck, Seal Cap, Air Passage, Drawn Air Passage, and Flex and Pilot		2300-080	
	Glass Latch Assembly	Qty. 4 req.	2146-413	Y
	Log Assembly (Optional)		LOGS-48	
	Light Kit, Ambient		ALK-48	
	Refractory Assembly, Black		2300-060	
	Black Glass Kit ( Includes Manual Bag Assembly for kit and Refractory Assembly, Optional)		BGK-48	
	Remote RC300-HNG		2166-330	Y
	Touch Up Paint		TUP-GBK-12	
	Vinyl Siding Shield		TRAP-VSS	
<b>Media Options</b>				
	Media Kit, Red		MEDIA-RED-48	
	Media Kit, Fog		MEDIA-FOG-48	
	Media Kit, Ebony		MEDIA-EBONY-48	
	Media Kit, Cobalt		MEDIA-COBALT-48	
	Media Kit, Clear		MEDIA-CLEAR-48	
	Media Kit, Amber		MEDIA-AMBER-48	
<b>Conversion Kits</b>				
	Conversion Kit NG		N/A	
	Conversion Kit LP		LPK-6048	Y
	Pilot Orifice, NG		593-528	Y
	Pilot Orifice, LP		593-527	Y
	Regulator, NG		NGK-DXV-50	Y
	Regulator, LP		LPK-DXV-50	Y