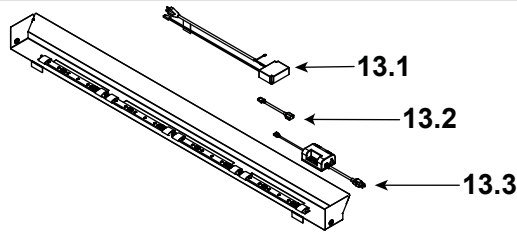


IMPORTANT: THIS IS DATED INFORMATION. Parts must be ordered from a dealer or distributor. **Hearth and Home Technologies does not sell directly to consumers.** Provide model number and serial number when requesting service parts from your dealer or distributor.



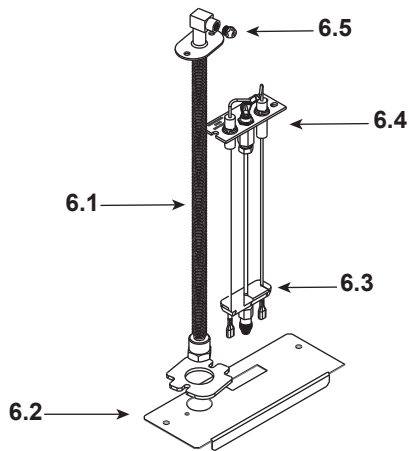
Stocked at Depot

ITEM	DESCRIPTION	COMMENTS	PART NUMBER	
1	Non-combustible Board, Top		2331-460	
2	Standoff, Top	Qty 4 req	2321-199	
3	Non-combustible Board, Side	Qty 2 req	2300-461	
4	Bottom glass		2331-018	
5	Burner		2331-007	
6	Pilot Assembly		See Following Page	
7	Shield, Pilot		2300-195	
8	Glass Assembly		GLA-72-HNG	
9	Shield., Bottom Glass		2331-179	
10	Panel, Bottom		2331-147	
11	Rock Tray		2331-151	
12	Rail, Burner	Qty 2 req	2331-338	

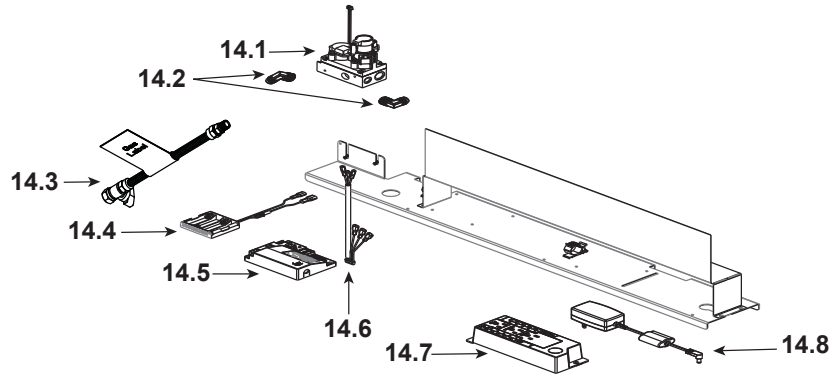


13	LED Light Assembly		ALK-72	
13.1	LED 12V Power Supply		2273-308	Y
13.2	Cord Assembly		2101-084	Y
13.3	AUX RC300		2166-335	Y

#6 Pilot Assembly



#14 Valve Assembly



IMPORTANT: THIS IS DATED INFORMATION. Parts must be ordered from a dealer or distributor. **Hearth and Home Technologies does not sell directly to consumers.** Provide model number and serial number when requesting service parts from your dealer or distributor.



**Stocked
at Depot**

ITEM	DESCRIPTION	COMMENTS	PART NUMBER	
6.1	Bulkhead W/Flex tube		2166-119	Y
6.2	Plate Flex and Pilot		2300-163	
6.3	3-Hole Grommet		2118-420	
6.4	Pilot Assembly, NG		2090-012	Y
	Pilot Assembly, LP		2090-013	Y
6.5	Orifice, NG #23C		582-823	Y
	Orifice, LP #45C		582-845	Y
14.1	Valve, NG		2166-302	Y
	Valve, LP		2166-303	Y
14.2	Elbow	Qty 2 req	4021-045	
14.3	Flex Ball Valve Assembly		302-320A	Y
14.4	Battery Pack**		2166-323	Y
14.5	Module		2166-307	Y
14.6	Wire Harness		2166-304	Y
14.7	Junction Box		4021-013	Y
14.8	DC Regulator		2326-131	Y

**Fuse for battery pack can be sourced locally, not a warranty item. Specs are 250v, 1A fuse, 3/4" long

Additional service part numbers on following page.

