



marquis  
COLLECTION | by Kingsman



BENTLEY ST

ZERO CLEARANCE DIRECT VENT SEE-THROUGH GAS FIREPLACE

Unit illustrated is the MCVST42NH See Through Fireplace - Natural Gas, M42LG Log Grate, MQ42LOG2 Oak Log Set, MST42RLT Traditional Brick Liner, MQ42DD2BL Designer Door Series 2.



# Two Sides to this **STORY**

## Introducing the Bentley ST

With an expansive glass viewing area and clever designer options, we thought the new Bentley was pure designer perfection. Now, we've introduced the new see-through **Bentley ST by Marquis** which means you get the same view ... twice!

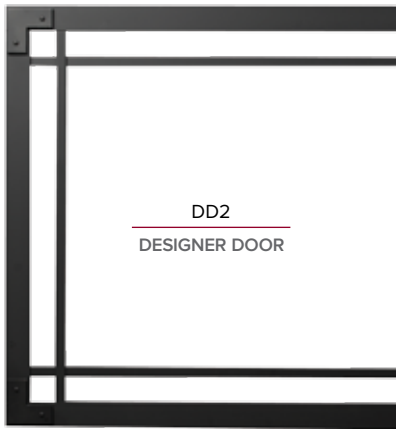
Being able to enjoy the beauty and warmth from both sides means we've doubled the reasons to love the Bentley ST.

Visit [www.marquisfireplaces.net](http://www.marquisfireplaces.net)  
to see the latest evolution in fireplaces.

## DESIGNER DOORS



DD1  
DESIGNER DOOR



DD2  
DESIGNER DOOR



DD3  
DESIGNER DOOR

## WALL SURROUND

PICTURE FRAME

BLACK

### STYLING



DECORATIVE STONE



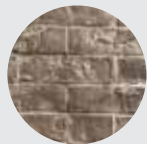
MULTI-COLOR  
CANNONBALLS



ROCK COLLECTION



DECORATIVE EMBER GLASS



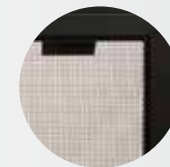
TRADITIONAL





## STANDARD FEATURES

- > Dedicated Clean View appliance
- > Millivolt or IPI valve system allows operation during a power failure with Hi/Low heat and flame adjustment
- > Safety Screen Barrier\*



SAFETY SCREEN BARRIER

## OPTIONAL FEATURES

**Designer Doors** – Three styles: Arch, Straight Black Doors

**Surrounds** – Hearth Mount, Picture Frame or Slim Line Picture Frame

Hearth Mount 4" Wide (Covers 44 5/8" W x 38 1/8" H)

Picture Frame 4" Wide (Covers 44 5/8" W x 40 1/8" H)

Picture Frame 1 5/8" Wide (Covers 40 1/8" W x 35 5/8" H)

**Porcelain Reflective Liner**

**Glass Tray** – with the following media choices: Contemporary Rock, Driftwood Set, Decorative Stones and Decorative Ember Glass (Glacier Ice, Cobalt Blue, Black, Bronze and White)

**Log Sets** – Two Driftwood Sets (7 or 8 Piece), Two Oak Sets (8 Piece).

**Accent Lighting** – for use with the Glass Tray

**Thermostat** – Wall Mount Millivolt Thermostat or Programmable Thermostat

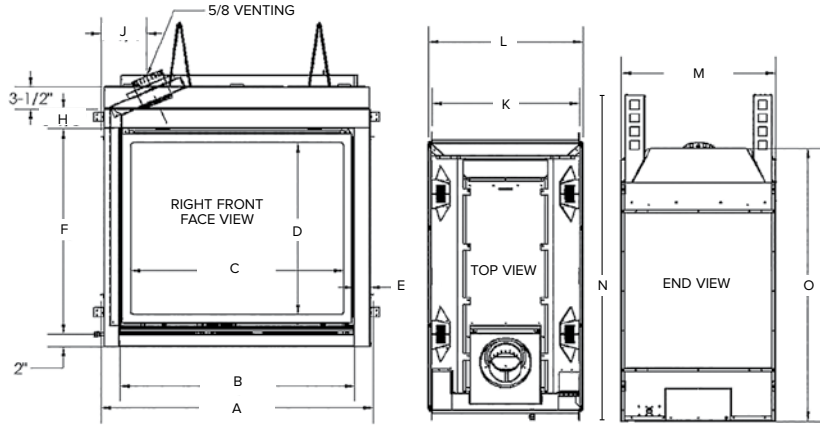
**Remote Controls** – Thermostat on/off, Thermostat on/off modulating, Thermostat on/off modulating and fan/light control.



**Fan Kit** – Heat activated with variable speed control.

\* All gas fireplaces manufactured as of January 1, 2015 will include a Safety Screen Barrier.

Model	MCVST42N/NE	MCVST42LP/LPE	MCVST42NH/NHE	MCVST42LPH/LPHE
Fuel	Natural	Propane	Natural	Propane
Gas Control	Millivolt / IPI	Millivolt / IPI	Millivolt / IPI	Millivolt / IPI
Input Max.	30,250 BTU	29,000 BTU	31,000 BTU	29,250 BTU
Input Min.	20,750 BTU	23,000 BTU	21,000 BTU	23,000 BTU
FE (P.4.1-02)	54.6% / 55.9%	55.8% / 57.3%	67.1% / 69.3%	68.4% / 71%



**MCVST42**

A	43 1/16"
B	37 1/16"
C	33 11/16"
D	27 3/16"
E	2 1/2"
F	32 1/2"
G	2"
H	3 1/8"
I	3 1/2"
J	7 1/4"
K	23 1/8"
L	24 1/4"
M	24 1/4"
N	51 1/4"
O	42 7/8"

Model	Height		Front Width		Depth	
	Actual	Framing	Actual	Framing	Actual	Framing
MCVST42	51 1/4"	51 3/8"	43 1/16"	43 1/8"	24 1/4"	23 1/16"



MCVST42NH See Through Fireplace - Natural Gas, MST42GT Glass Tray, MQG5C Glass Media - Bronze x (5), MQSTONE Decorative Stones, MST42PL Porcelain Liner.



MCVST42NH See Through Fireplace - Natural Gas, ZCV42S1BL Surround - Hearth Mount 4" Wide, MST42GT Glass Tray, MQG5C Glass Media - Bronze x (5), MQROCK2 Rock Set - Contemporary Collection - Natural, MST42PL Porcelain Liner.



MCVST42NH See Through Fireplace - Natural Gas, ZCV42S1PFBL Surround Picture Frame 4" Wide, MST42GT Glass Tray, MQG5C Glass Media - Bronze x (5), RBCB1 Cannonballs, MST42PL Porcelain Liner.



MCVST42NH See Through Fireplace - Natural Gas, ZCV42S2PFBL Surround Picture Frame 1 5/8" Wide, MST42GT Glass Tray, MQG5ZG Glass Media - Zircon Ice x (2), MST42PL Porcelain Liner.



MCVST42NH See Through Fireplace - Natural Gas, ZCV42S1PFBL Surround Picture Frame 4" Wide, MST42GT Glass Tray, MQG5ZG Glass Media - Zircon Ice x (5), MST42PL Porcelain Liner.



Kingsman Fireplaces maintains a program of continuous testing, refinement and improvements of all its products. Some aspect of units shown here may be changed at any time without notice or obligation.  
Certification: MCVST42N, MCVST42NE, MCVST42LP and MCVST42LPE are Certified to: ANSI Z21.50-2014, CSA 2.22-2014, CGA 2.17-M91 (R2009) Vented Gas Fireplace. MCVST42NH, MCVST42NHE, MCVST42LPH and MCVST42LPHE are Certified to: ANSI Z21.88-2014, CSA 2.33-2014, CGA 2.17-M91 (R2009) Vented Gas Fireplace Heater.  
\*Components may have to be ordered separately to create a complete unit.  
Discuss with your local Marquis Dealer for clarification.

