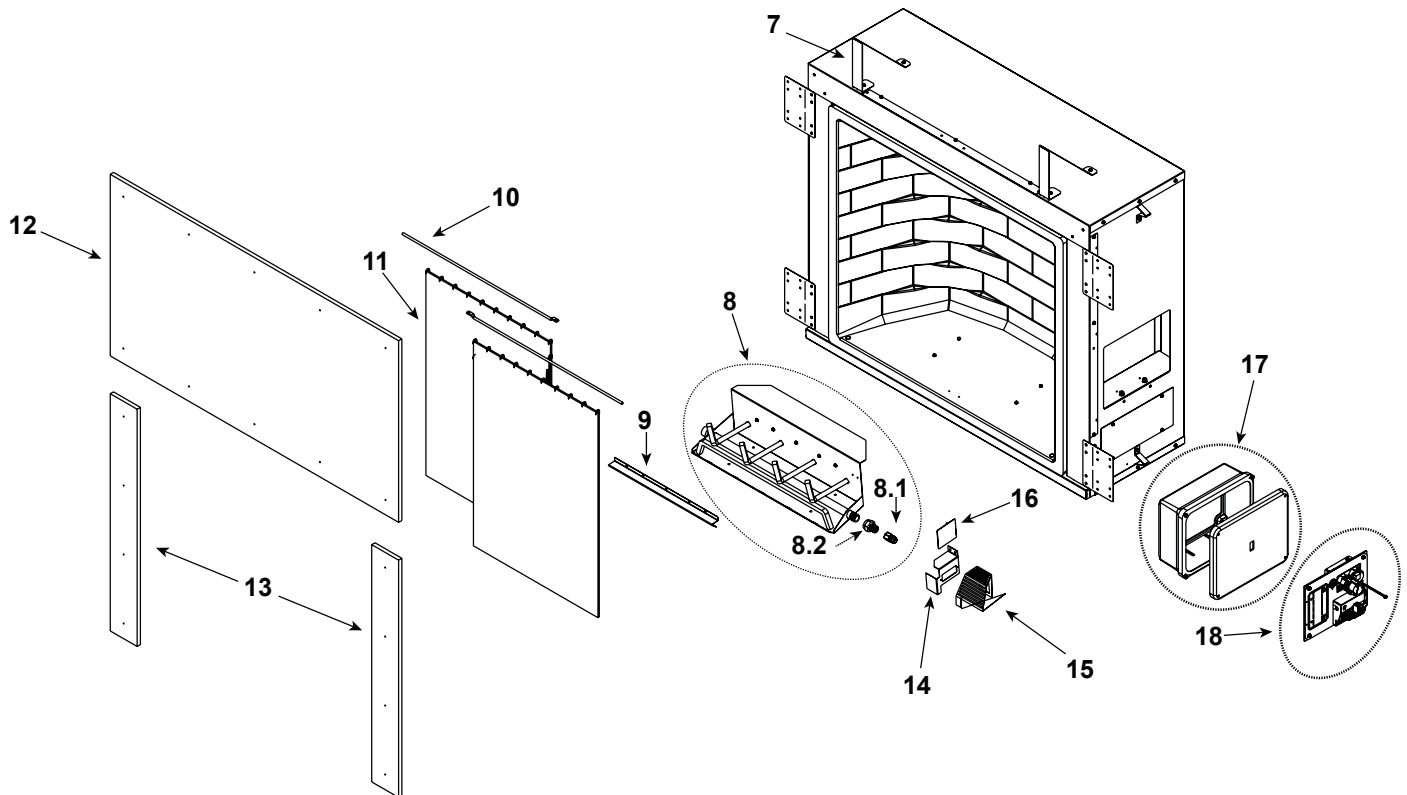
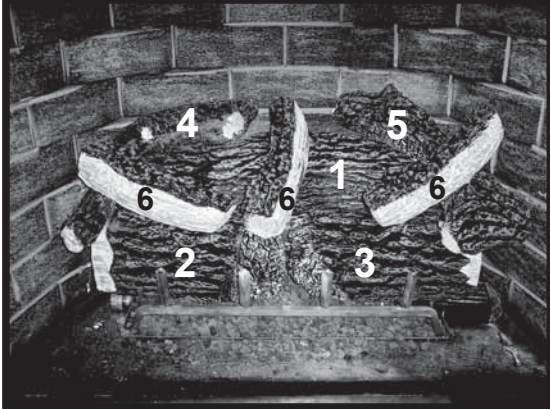


Log Set Assembly



Part number list on following page.

IMPORTANT: THIS IS DATED INFORMATION. Parts must be ordered from a dealer or distributor. **Hearth and Home Technologies does not sell directly to consumers.** Provide model number and serial number when requesting service parts from your dealer or distributor.

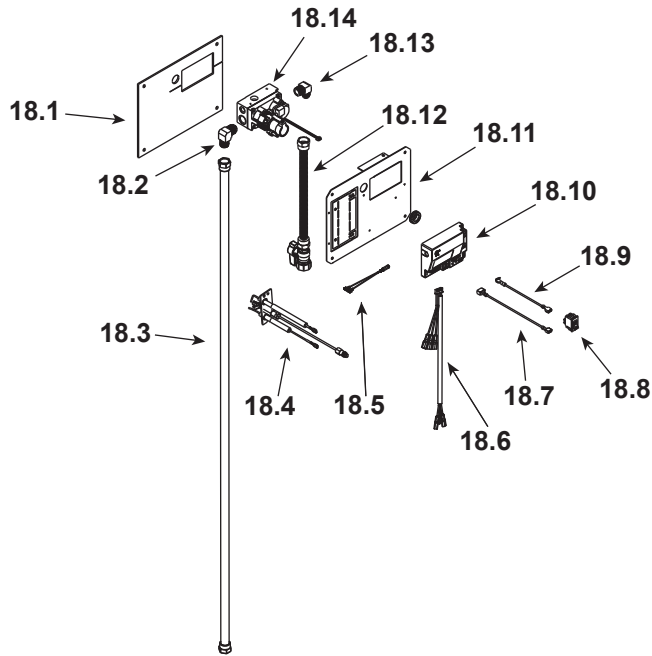


Stocked
at Depot

ITEM	DESCRIPTION	COMMENTS	PART NUMBER	
	Log Set Assembly, Ships in 1 Box		4066-077	Y
1	Log 1, Rear Log		4066-520	
2	Log 2, Left Front		4066-518	
3	Log 3, Right Front		4066-519	
4	Log 4, Top Left		4066-517	
5	Log 5, Top Right		4066-516	
6	Log 6, Top	Qty 3 req	4067-319	
7	Standoff	Qty 2 req	4066-119	
8	Burner/Grate Assembly		4066-079	Y
8.1	Orifice, NG		4066-154	
	Orifice, LP		4066-155	
8.2	Connector		4066-156	
9	Deflector		4066-258	
10	Screen Rod		4067-305	Y
11	Screen Assembly	Qty 2 req	4066-023	Y
12	Upper Front		4066-224	
13	Front Sides	Qty 2 req	4066-125	
14	Pilot Bracket		4067-112	
15	Pilot Shield		4066-127	
16	Heat Shield		4067-113	
17	Control Box Assembly		4066-325	Y
18	Valve Assembly		Refer to valve page	
	Lava Rock		SRVACC10	
	Electrical Conversion		ELEC-CARODG	
	Touch up Paint Fiber		STRATFORD-KIT	
	Patch Kit, Fiber		PATCHKIT-FB	
	Conversion Kit NG		NGK-CARODG36	Y
	Conversion Kit LP		LPK-CARODG36	Y
	Pilot Orifice NG		593-528	Y
	Pilot Orifice LP		593-527	Y
	Regulator NG		NGK-DXV-50	Y
	Regulator LP		LPK-DXV-50	Y

Additional service part numbers appear on following page.

#18 Valve Assembly



IMPORTANT: THIS IS DATED INFORMATION. Parts must be ordered from a dealer or distributor. **Hearth and Home Technologies does not sell directly to consumers.** Provide model number and serial number when requesting service parts from your dealer or distributor.



Stocked at Depot

ITEM	DESCRIPTION	COMMENTS	PART NUMBER	
18.1	Gasket , Pilot Bracket		4066-328	
18.2	90 Degree Elbow		4042-314	
18.3	SS FlexLine		4021-696	Y
18.4	Pilot Assembly NG		4021-628	Y
	Pilot Assembly LP		4021-629	Y
	Pilot Tube		4021-705	Y
18.5	Wire Assembly		4021-711	Y
18.6	Wire Harness		2166-304	Y
18.7	Wire Assembly		4021-710	Y
18.8	On/ Off Switch		060-511	Y
18.9	Wire Assembly		4021-710	Y
18.10	Module		2166-307	Y
18.11	Valve Bracket		4066-115	
18.12	Flex Ball Valve Assembly		302-320A	Y
18.13	Male Elbow		4021-045	
18.14	Valve NG		2166-302	Y
	Valve LP		2166-303	Y
	Electric Kit to AC Power		4066-073	
	Power Supply		2326-131	Y