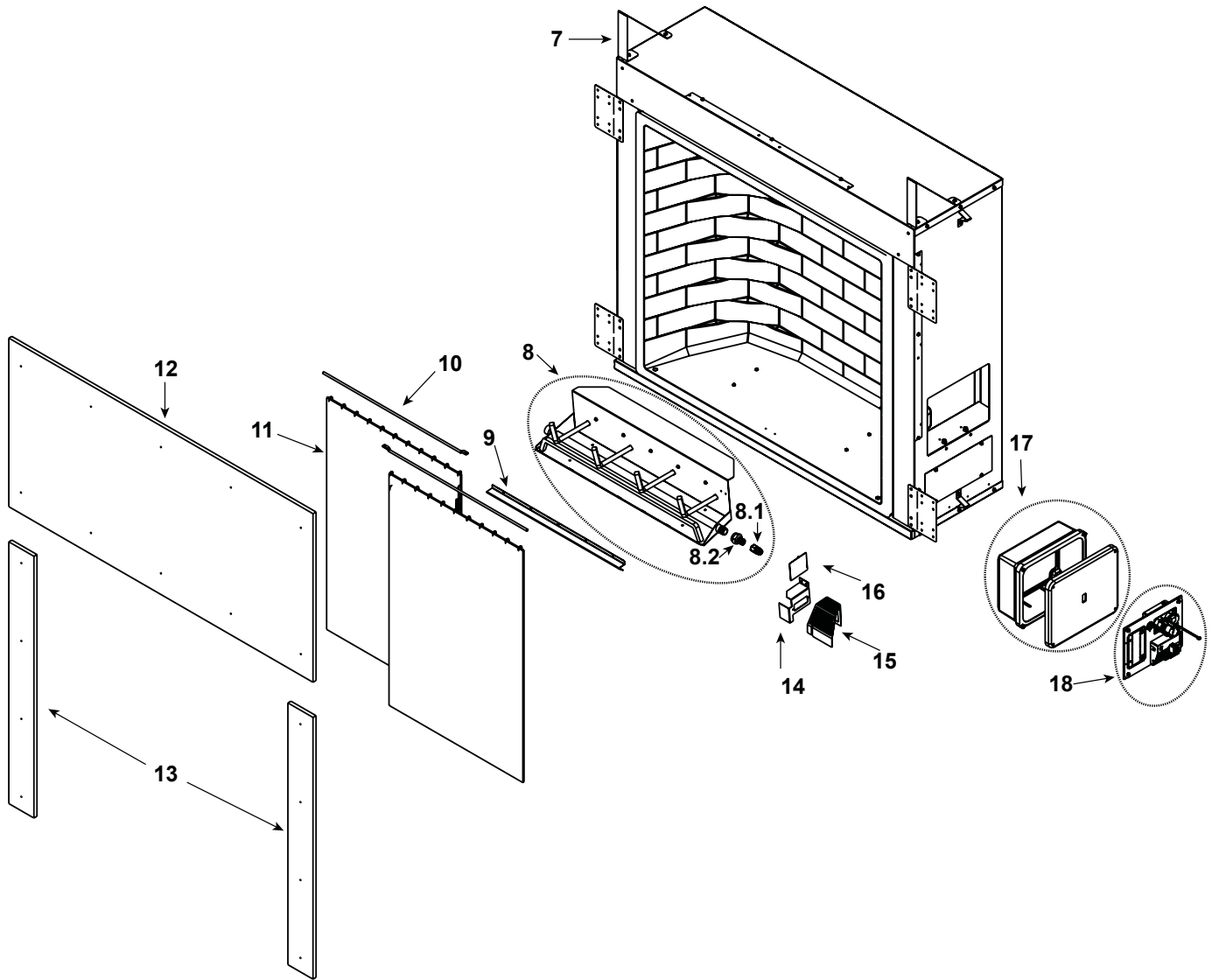
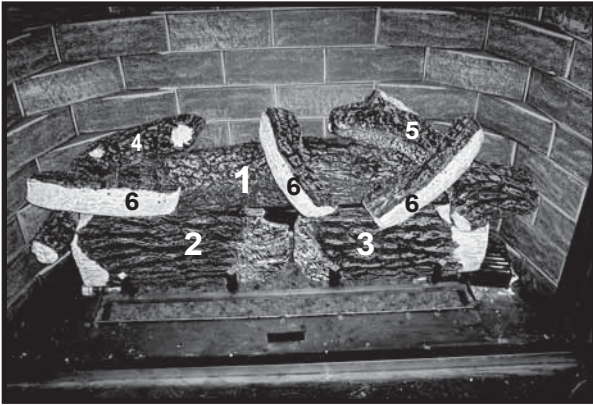
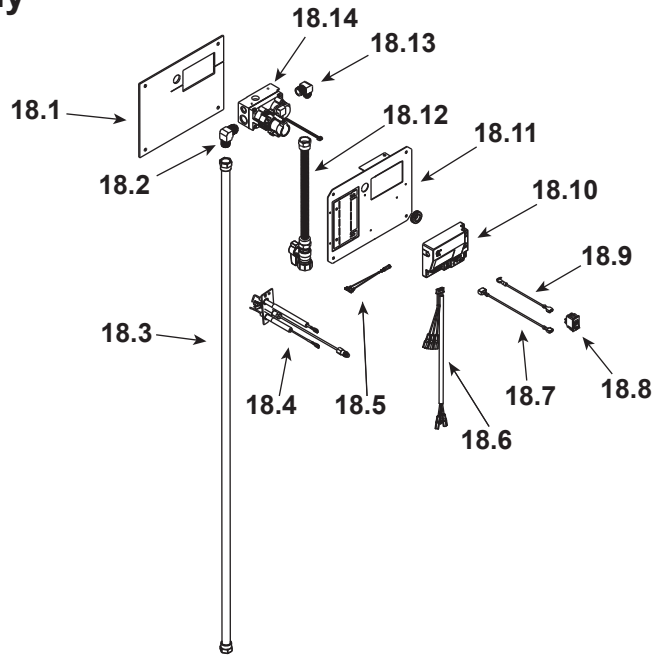


Log Set Assembly



Part number list on following page.

#18 Valve Assembly



IMPORTANT: THIS IS DATED INFORMATION. Parts must be ordered from a dealer or distributor. **Hearth and Home Technologies does not sell directly to consumers.** Provide model number and serial number when requesting service parts from your dealer or distributor.



Stocked at Depot

ITEM	DESCRIPTION	COMMENTS	PART NUMBER	
18.1	Gasket , Pilot Bracket		4066-328	
18.2	90 Degree Elbow		4042-314	
18.3	SS FlexLine		4021-696	Y
18.4	Pilot Assembly NG		4021-628	Y
	Pilot Assembly LP		4021-629	Y
	Pilot Tube		4021-705	Y
18.5	Wire Assembly		4021-711	Y
18.6	Wire Harness		2166-304	Y
18.7	Wire Assembly		4021-710	Y
18.8	On/ Off Switch		060-511	Y
18.9	Wire Assembly		4021-710	Y
18.10	Module		2166-307	Y
18.11	Valve Bracket		4066-115	
18.12	Flex Ball Valve Assembly		302-320A	Y
18.13	Male Elbow		4021-045	
18.14	Valve NG		2166-302	Y
	Valve LP		2166-303	Y
	Electric Kit to AC Power		4066-073	
	Power Supply		2326-131	Y