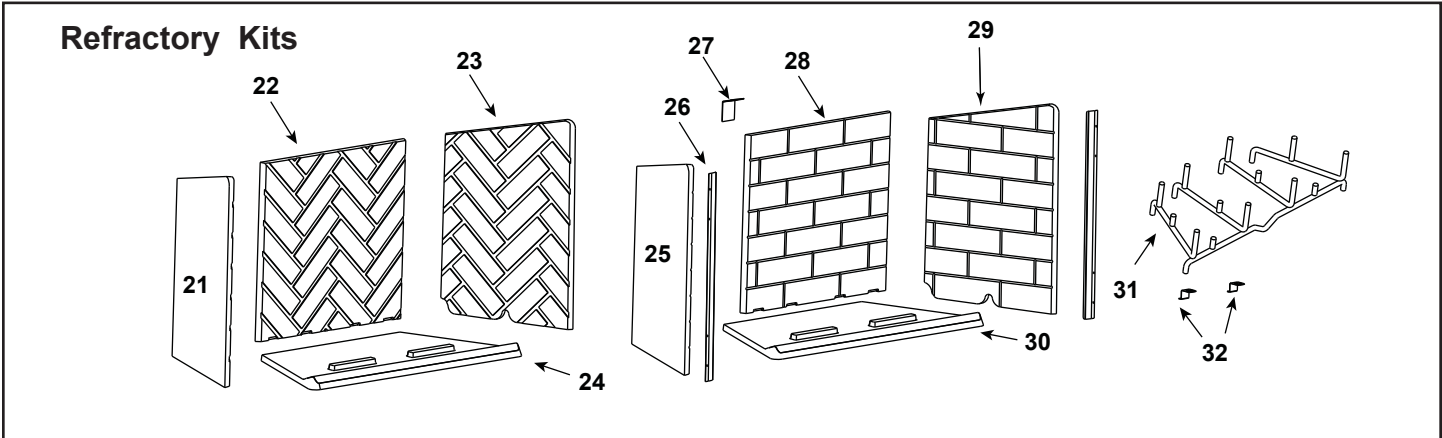


IMPORTANT: THIS IS DATED INFORMATION. When requesting service or replacement parts for your appliance please provide model number and serial number. All parts listed in this manual may be ordered from an authorized dealer.



**Stocked at Depot**

ITEM	DESCRIPTION	COMMENTS	PART NUMBER	
1	Upper Face		4036-197	
2	Top Standoffs	Qty 4 req	4044-111	
3	Nailing Flange	Qty 4 req	31190	
4	Top Front Face	<b>Not Replaceable Must Order CUST4004-107</b>	4036-105	
5	Left Side Column		4036-185	
6	Lower Front Face		4036-176	
7	Right Side Column		4036-184	
8	Intermediate Shell Access Panel		4036-139	
9	Inner Shell Access Panel		4036-137	
10	Gas Hood		4036-195	
11	Top Door Support Assembly		4036-082	Y
12	Door Grille Bar	Qty 4 req	4036-177	
13	Bottom Door Support Assembly		4036-083	Y
	Left Glass Door Assembly		4036-097	Y
14	Door Handle		4021-350	
15	Left Bottom Pivot Pin		4036-116	
17	Glass Panel Assembly		4036-020	
18	Left Top Pivot Pin		4036-119	
	Right Glass Door Assembly		4036-096	Y
14	Door Handle		4021-350	
16	Right Bottom Pivot Pin		4036-115	
19	Right Top Pivot Pin		4036-118	
20	Door Locks	Qty 2 req	4036-226	



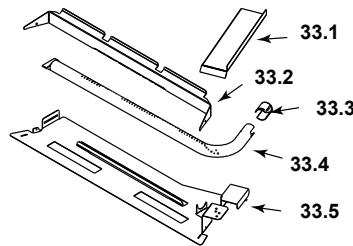
IMPORTANT: THIS IS DATED INFORMATION. When requesting service or replacement parts for your appliance please provide model number and serial number. All parts listed in this manual may be ordered from an authorized dealer.



**Stocked at Depot**

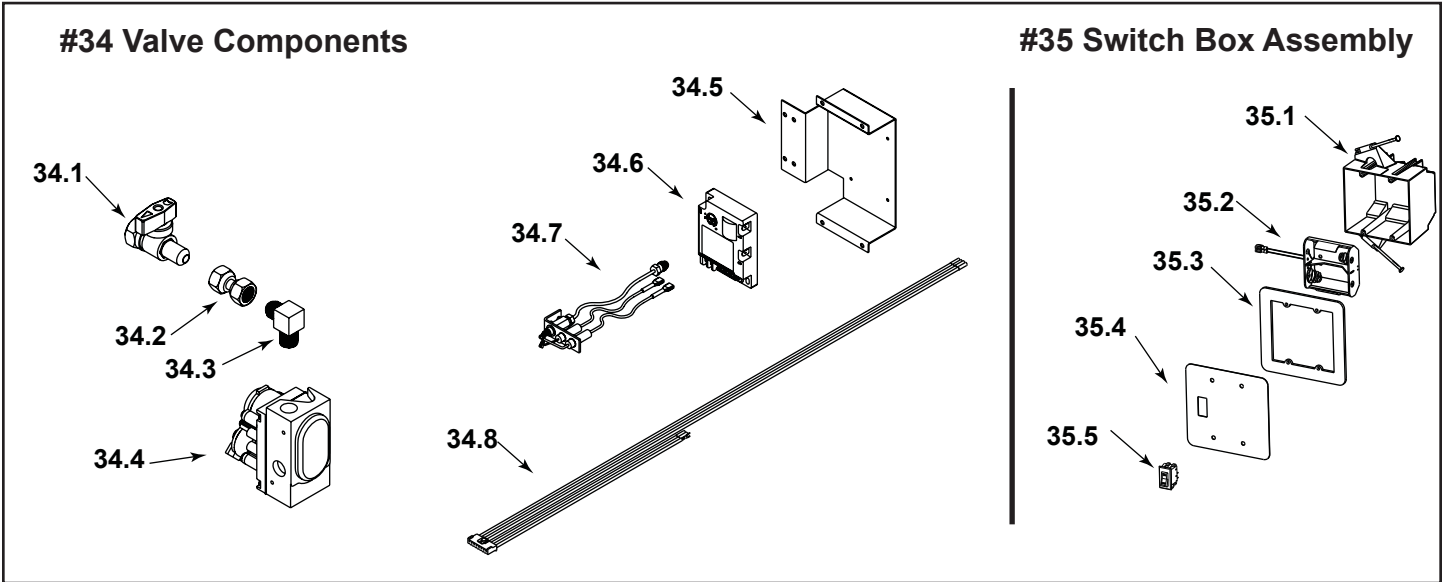
ITEM	DESCRIPTION	COMMENTS	PART NUMBER
21	Herringbone Left Side Refractory		4036-148
22	Herringbone Back Refractory		4010-015
23	Herringbone Right Side Refractory		4036-147
24	Herringbone Hearth Refractory		4036-152
25	Traditional Brick Left Side Refractory		4036-146
26	Side Refractory Cover	Qty 2 req	4036-133
27	Back Refractory Bracket		4036-121
28	Traditional Brick Back Refractory		28394
29	Traditional Brick Right Side Refractory		4036-145
30	Traditional Brick Hearth Refractory		4036-740
31	Grate		4036-067
32	Grate Retainer Clip	Qty 2 req	28062

**#33 Burner Assembly**



33	Burner Tube Assembly NG		4036-068	Y
	Burner Tube Assembly LP		4036-069	Y
33.1	Pilot Shield		4036-248	
33.2	Rock Retainer		4036-190	
33.3	Air Shutter		4036-194	
33.4	1-1/4 in. Burner Tube NG		4036-187	
	1-1/4 in. Burner Tube LP		4036-188	
33.5	Burner Tube Bracket		4036-189	

Additional service parts on following page.



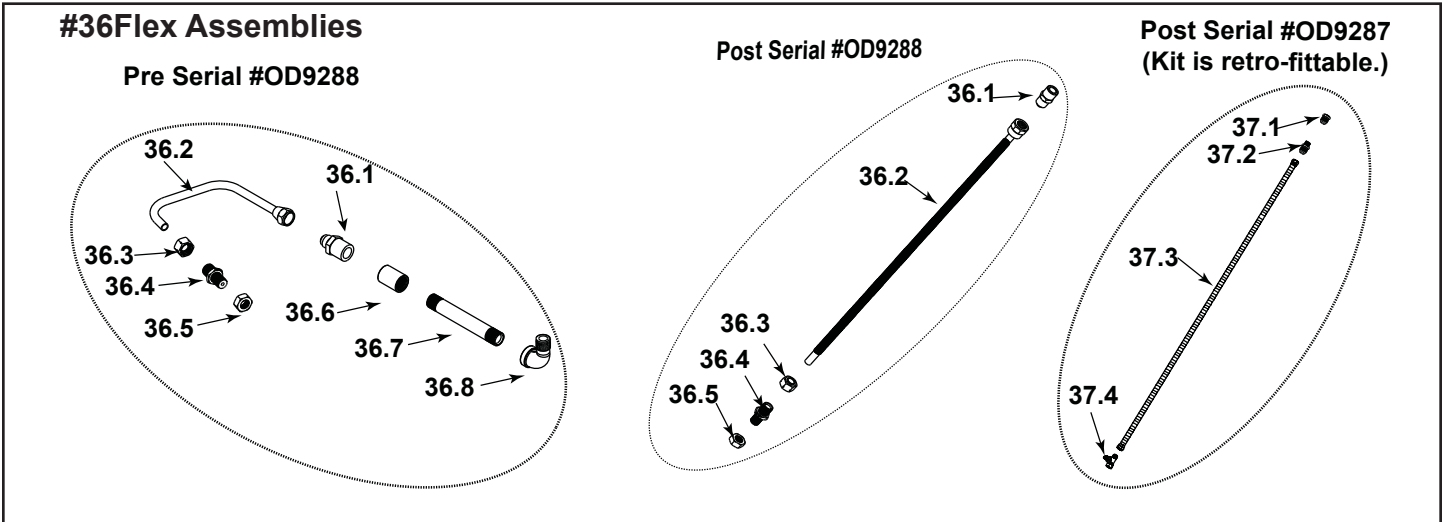
IMPORTANT: THIS IS DATED INFORMATION. When requesting service or replacement parts for your appliance please provide model number and serial number. All parts listed in this manual may be ordered from an authorized dealer.



**Stocked at Depot**

ITEM	DESCRIPTION	COMMENTS	PART NUMBER	Stocked at Depot
34.1	ON/OFF Valve		15697	Y
34.2	3/8 Swivel Nut Connector		4021-561	
34.3	Brass Elbow		4021-045	
34.4	Valve NG		593-500	Y
	Valve LP		593-501	Y
34.5	Valve Assembly Bracket		4036-179	
34.6	Control Module		593-592	Y
34.7	Pilot Assembly NG		593-512A	Y
	Pilot Assembly LP		593-513A	Y
34.8	IPI Wiring Harness (w/5 ft. Leads)		4021-116	Y
35	Switch Box Assembly		4036-040	
35.1	Switch Box		4021-117	Y
35.2	Battery Pack		593-594A	Y
35.3	Electrical Box Gasket		4021-153	
35.4	Switch Cover Plate		4036-157	
35.5	ON/OFF Rocker Switch		060-511	Y
	Lava Rock		4021-296	
	Outer Shell Access Panel		4036-186	
	Outer Shell Access Panel Fastener Pack		4025-007	
	Conversion Kit NG to LP		LPK-DAKOTA-B	Y
	Conversion Kit LP to NG		NGK-DAKOTA-B	Y
	Installation Instructions & Owner's Manual		4036-909	

Additional service parts on following page.



IMPORTANT: THIS IS DATED INFORMATION. When requesting service or replacement parts for your appliance please provide model number and serial number. All parts listed in this manual may be ordered from an authorized dealer.



**Stocked at Depot**

ITEM	DESCRIPTION	COMMENTS	PART NUMBER	
36.1	Brass Fitting (1/2-3/8)		19641	
36.2	Flex Burner Line Kit	Post SN #OD9287	SRV4036-260	
36.3	Compression Nut		32553	
36.4	Burner Orifice NG		4021-134	Y
	Burner Orifice LP		32562	Y
36.5	Jam Nut (1/2-20)		32563	
36.6	3/8 in. NPT Pipe Coupler	No longer available	4021-349	
36.7	3/8 Male NPT x 4-1/2 in. Pipe	No longer available	4021-348	
36.8	3/8 NPT Street L	No longer available	4021-347	
37	60 in. Flex Line Assembly		SRV4036-044	
37.1	ON/OFF Valve		4021-115	
37.2	60 in. Flex Line 5/8 in. dia.		4021-133	Y
37.3	Coupler - 3/8 Male NPT / 7/8 SAE Flare		4021-114	
37.4	1/2 in. Male NPT to 3/8 in. Fem. NPT Bush		4021-030	

**Log Assemblies**

