



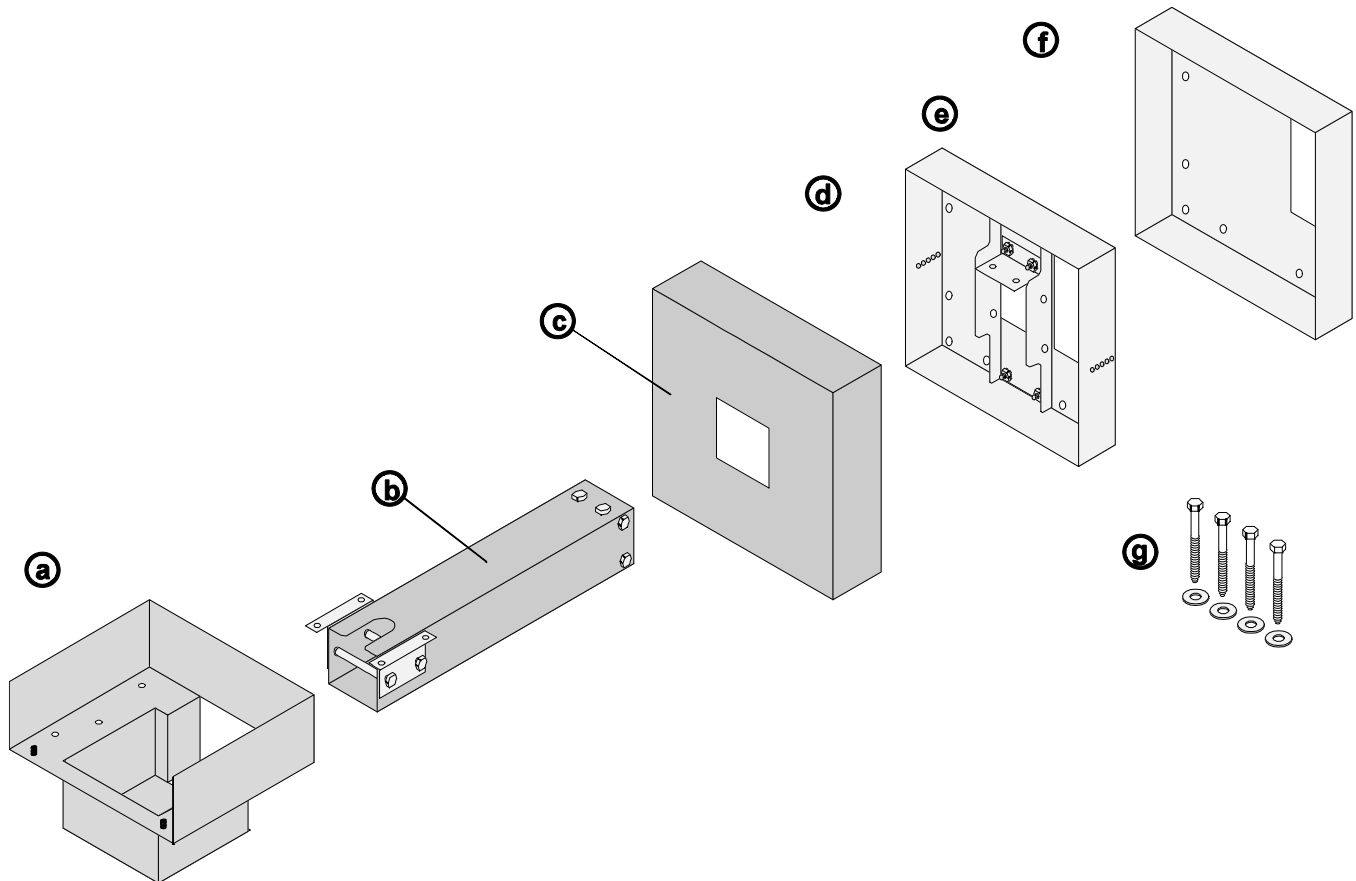
Overview

The wall mount is for use with the permanent-mount Tempest Torch (SKU 94900743 NG, 94900753 LP).

Packing List

Wall Mount Components (see illustration below)

- Control Cover (a)
- Post (with brackets & fastening bolts attached) (b)
- Wall Plate Cover (c)
- Post Bracket (shipped attached to Wall Plate) (d)
- Wall Plate (e)
- Wall Template (f)



Hardware Pack Components

- (4) 2-1/2" Stainless Steel Lag Bolts and Washers (a)
- 1/2" FPT to 1/2" MPT Elbow
- Shutoff Valve - 1/2" FPT to 3/8" Flare
- 3/8" x 16" Stainless Flex Tubing
- 3/8" to 3/8" Tubing Connector

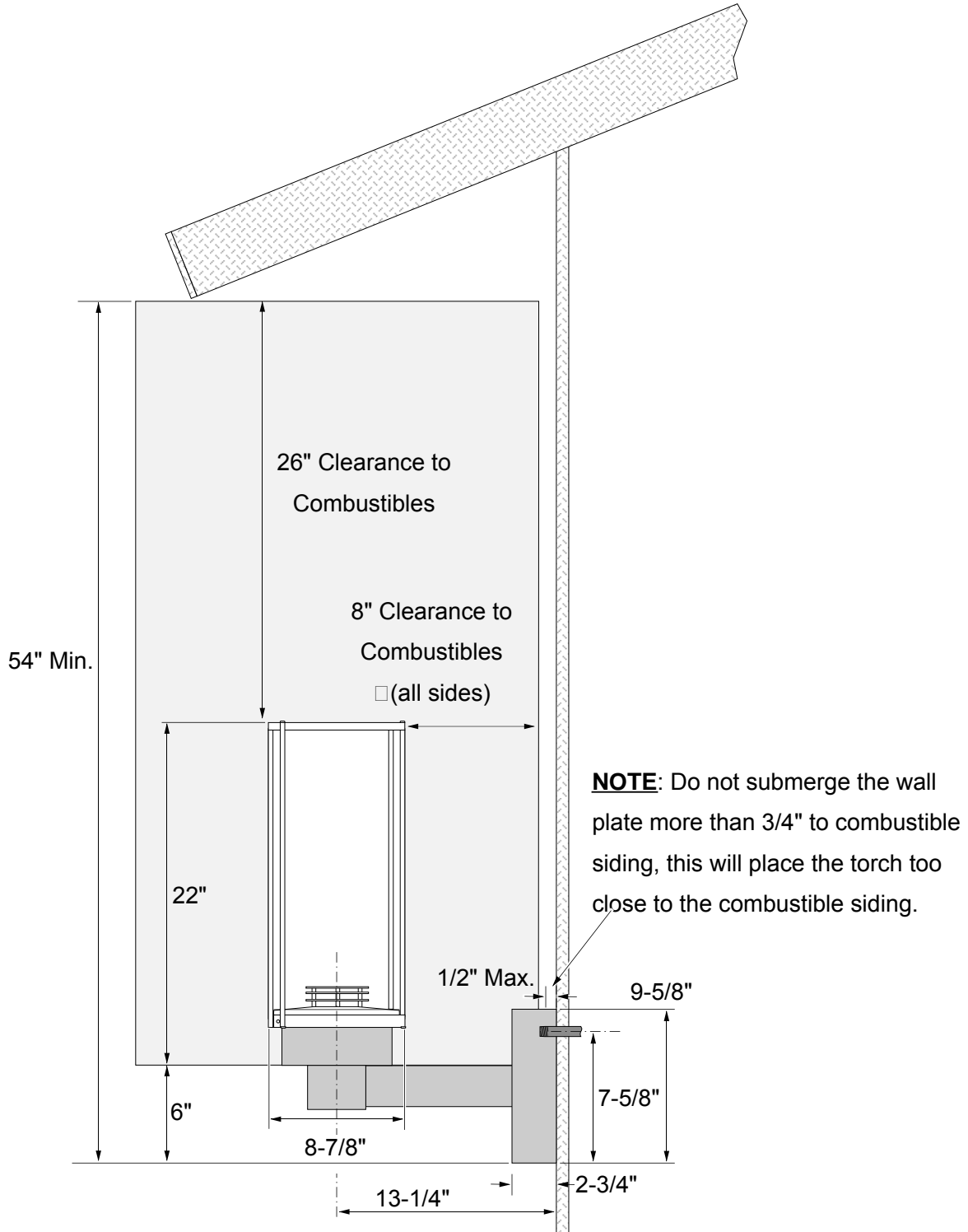


Tempest™ Wall Mount

(sku 94800820)

Torch Location – Clearance to Combustibles

The wall mount must be properly positioned to provide proper clearance to combustibles when the torch is attached. See the illustration below for details.





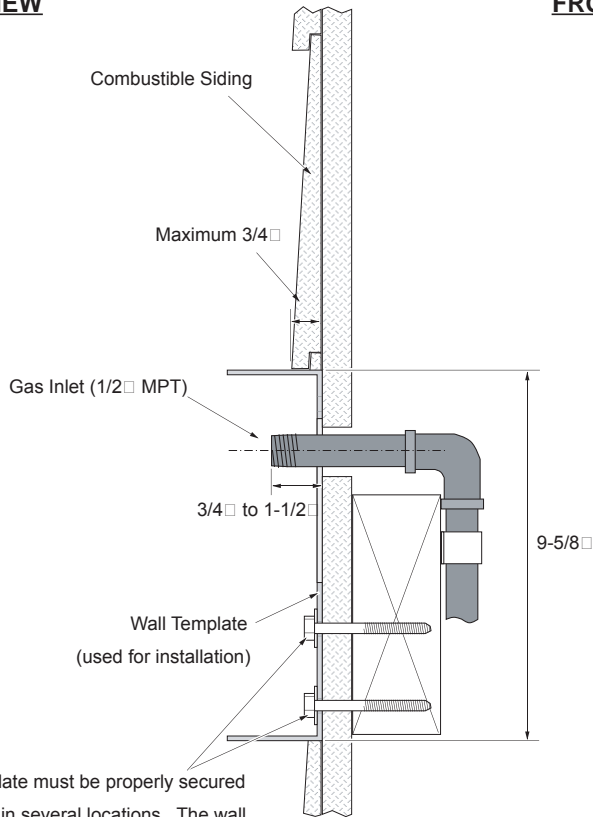
Tempest™ Wall Mount

(sku 94800820)

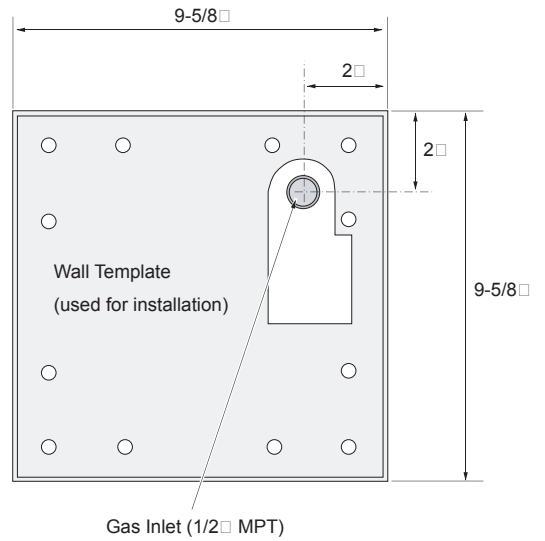
Gas Line Location and Wall Plate Placement

The gas line must be located correctly to allow for the shutoff valve to be placed under the wall plate cover. See the illustration below for details.

SIDE VIEW



FRONT VIEW



The wall plate must be properly secured to framing in several locations. The wall mount, with torch, weighs approximately 25 lbs and must be properly supported.



Tempest™ Wall Mount

(sku 94800820)

Installation

NOTE: The illustrations below are for example only. Make sure to follow all gas line and building code requirements for your location.

1. After determining the location of the wall mount, run the gas line to the correct location (see the illustration on page 2 for details). Before installing the wall plate, make sure the gas nipple protrudes between $\frac{3}{4}$ " and 1-1/2" (see Figure 1). Make sure adequate framing is provided behind the wall to secure the wall plate (see Figure 2).



Figure 1



Figure 2

2. Attach the included elbow and shutoff valve to the nipple (use thread sealant, etc.). Make sure the elbow is facing directly down and shutoff valve is facing outwards as shown in Figure 3.
NOTE: You may wish to pressure-test the gas line at this time.

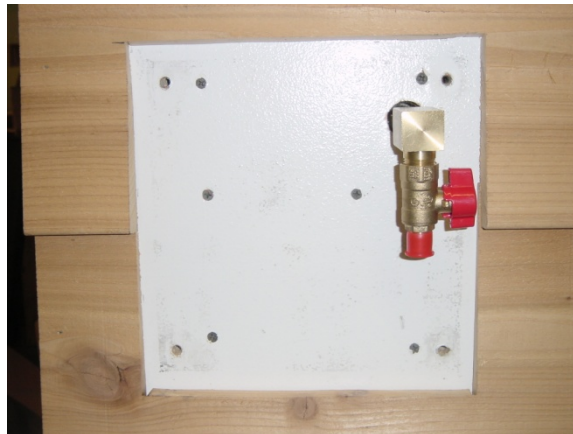


Figure 3



Tempest™ Wall Mount

(sku 94800820)

3. **If you plan to install the wall mount at this time, proceed to step 4 below.** The wall mount kit includes a rough-in wall template that allows for the gas line and wall plate to be installed prior to installing the wall mount assembly and torch. Install the rough-in wall template to the wall (see Figure 4). Cover it with duct tape or other suitable cover to prevent damage.



Figure 4

4. Place a ¼" bead of silicone around the perimeter of the wall plate location (see Figure 5). This silicone will help weatherize the wall mount. You should also seal the gas line penetration and any exposed exterior sheeting at this time. Secure the wall plate to the wall using the four included lag bolts (see Figure 6) or other suitable means. Once the wall plate is in place, you may wish to seal the area around the perimeter of the wall plate if it is exposed to weather (see Figure 7). Make sure the sealant does not interfere with the cover plate – wipe off any excess sealant before proceeding.



Figure 5



Figure 6



Figure 7



Tempest™ Wall Mount

(sku 94800820)

5. Place the wall plate on a suitable work surface and remove the four nuts (and washers) that hold the post bracket in place (see Figure 8). Remove the post bracket (see Figure 9).



Figure 8



Figure 9

6. Remove the control cover and mounting bracket on the bottom of the tempest torch (see Figure 10). Keep the screws and nuts. Remove the hinged control cover from the front of the stock cover and install it on the cover included with the wall mount kit.

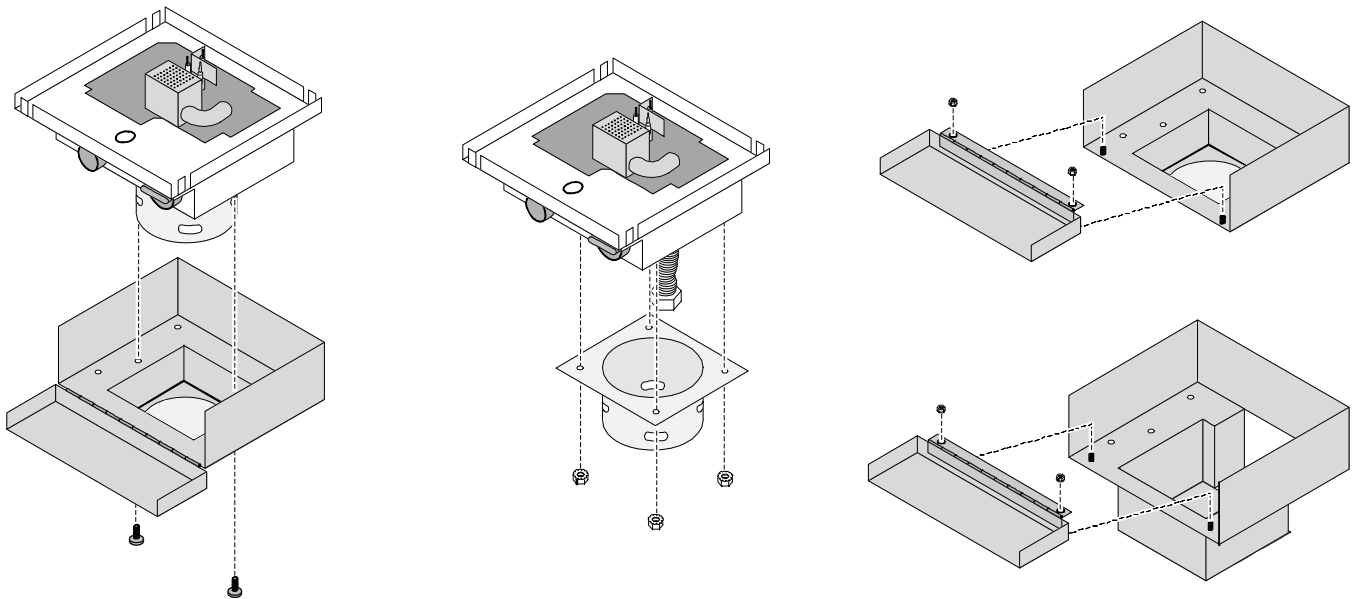


Figure 10



Tempest™ Wall Mount

(sku 94800820)

7. Place the post on a suitable work surface and remove the four nuts and two nuts that are used to secure the post bracket to the post. Use the two through-bolts (with washers) and nuts to secure the post bracket to the post (see Figure 11). Attach the two thread-cutting bolts through the leveling bracket (pre-installed on the post bracket) into the post – **DO NOT OVERTIGHTEN THESE BOLTS – THEY THREAD INTO THE ALUMINUM POST** (see Figure 12). Remove the two wall support brackets on the front of the post (see Figure 13).



Figure 11



Figure 12



Figure 13



Tempest™ Wall Mount

(sku 94800820)

8. Position the post assembly over the wall plate and line up the holes in the post bracket with the studs on the wall plate (see Figure 14). Attach the post with the four nuts (and washers) removed in step 4 (see Figure 15). NOTE: You may wish to level and square the wall mount if post does not appear correct. Washers may be placed between the post bracket and wall plate to shim the post to the correct position.



Figure 14



Figure 15

9. Slide the wall plate cover (Figure 16 – **make sure it is positioned correctly – the circular indents are on the sides**), and control cover over the post (Figure 17). Re-attach the wall support brackets (see Figure 18).



Figure 16



Figure 17

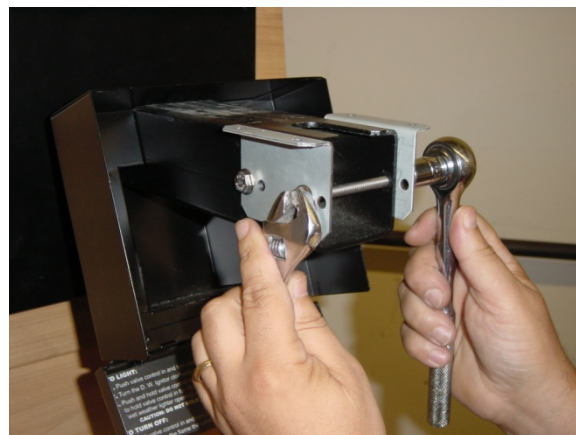


Figure 18



Tempest™ Wall Mount

(sku 94800820)

10. Attach the flex tube and fitting to the gas inlet on the torch. Route the flex tube so it angles back and slightly downward (see Figure 19). Insert the gas line through the post, making sure it goes over the bolts at the front of the post (see Figure 20). Route the gas line through the post, making sure it goes below the bolts at the back of the post (see Figure 21). Grasp the end of the flex tube and pull it through as you position the torch over the wall support brackets. Attach the torch to the wall support brackets using the nuts removed in step 9 (see Figure 22).



Figure 19



Figure 20

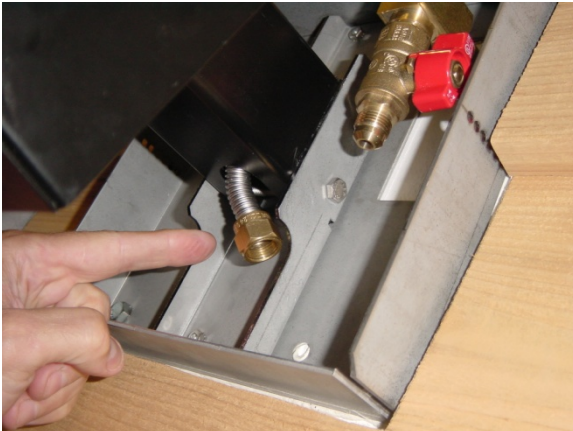


Figure 21

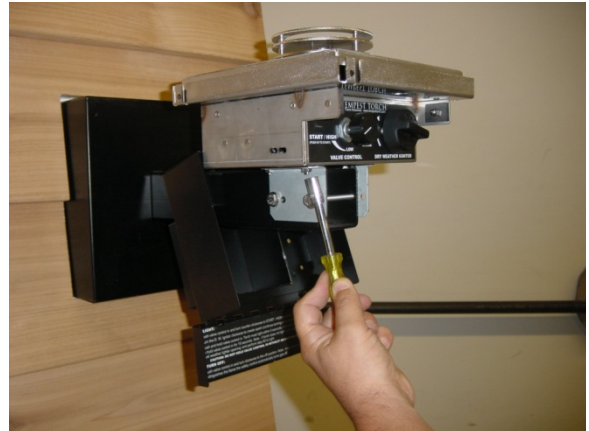


Figure 22



Tempest™ Wall Mount

(sku 94800820)

11. Route flex tube from the post to the shutoff valve (see Figure 23). Attach the flex tube to the shutoff valve (see Figure 24). At this time you should turn on gas to the torch, purge the gas line, and leak test the gas line connections.



Figure 23



Figure 24

12. Attach the control cover to the torch using the thumb screws removed in step 9 (see Figure 25).

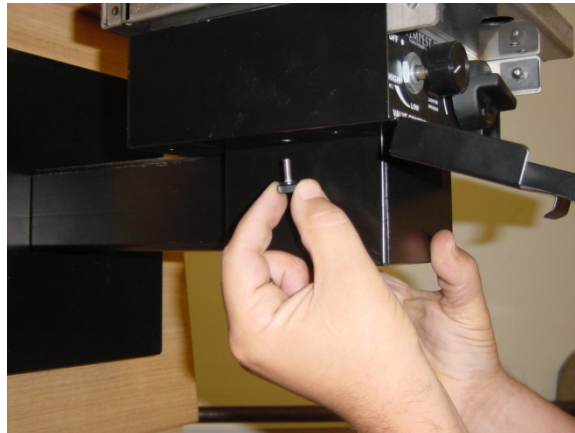


Figure 25

13. Complete assembly of the torch (see the owner's manual for details).