

WOOD | NATURAL STONE | CAST

**mantels & surrounds**  
BY FIRE SIDE FURNISHINGS

Mantels & surrounds **for every décor**  
*Design Series | Signature Series | Select Series*

# Mantels & surrounds to fit any style



Portico mantel with custom stain and absolute black granite

## Design Series

*As a distinctive selection of mantels, the Design Series is for those with an appreciation for design and craftsmanship and those looking to stay ahead of today's current trends.*



Fairfield mantel with custom paint and green granite

## Signature Series

*Timeless and superior in quality, the broad range of mantels in the Signature Series offers designs with something for every décor.*



## It's in the details

Fireside Furnishings is the premier provider of hearth design solutions for finishing around wood, gas and electric fireplaces. With a broad range of wood and cast mantels and natural stone selections, the thoughtful details come together to transform a simple fireplace into a beautiful showpiece, and your room into a natural reflection of your dreams, the way you live – your style.

Inspirational ideas for finishing your fireplace can come from all over. Mantels & Surrounds by Fireside Furnishings incorporate the best details of both Traditional and Transitional home furnishing styles.

**TRADITIONAL STYLE** — Inspired by 18th Century, French, English and Italian designs, the traditional finishing options capture the spirit of history in the details.

**TRANSITIONAL STYLE** — Inspired by Arts & Crafts, Mission, Cottage, Lodge and Shaker, transitional mantel options effortlessly blend styles from the traditional to more contemporary design.

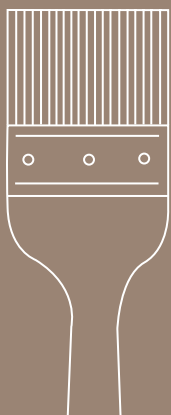
Available ready to finish, Fireside Furnishings mantels are a great value and you can customize with your choice of paint or stain to perfectly match the personal style and décor of your home.

*Offering an easy way to create a dramatic impact without the dramatic cost, the Select Series is the perfect blend of quality, design and value.*

## Select Series



Bridgeport mantel with custom paint and marron brown marble



# Why unfinished is **the best solution**

**YOU'RE IN CONTROL** Why conform to someone else's limited color choices when you can control it from the start?

**TAKES AWAY THE GUESSWORK** of matching décor or current woodwork in your home.

**CUSTOM FINISH IS AVAILABLE** Ask your hearth provider for a quote on the different custom stain options available.

## Four steps to customizing your hearth

### 1 Choose your style

A full range of traditional and transitional styles are found within the Design, Signature and Select Series wood mantels. Easily identified as you browse through the pages, you will be able to choose the style that is perfect for you.

### 2 Pick your mantel ]

Choose from an impressive selection of designs in wood mantels available in either primed MDF, unfinished oak or unfinished maple.

### 3 Match Your Surround ]

With two marble, six granite and one slate selection to choose from, the natural stone frames your fireplace to ensure safety clearances are met and to further enhance the beautiful fire.

### 4 Finish Your Hearth

Ready to finish. With the limitless stain and paint colors available, you can customize your mantel to perfectly match your décor and current woodwork.



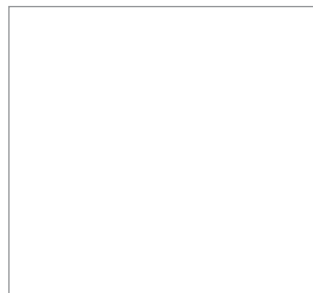
# Wood Species



OAK  
UNFINISHED



MAPLE  
UNFINISHED



MDF  
PRIMED

# Stone Surrounds

## design series



BEIGE MARBLE



MARRON BROWN MARBLE

## signature series



ABSOLUTE BLACK  
GRANITE



GREEN GRANITE



CALEDONIA GRANITE



NEW VENETIAN GRANITE



TAN BROWN GRANITE

## select series



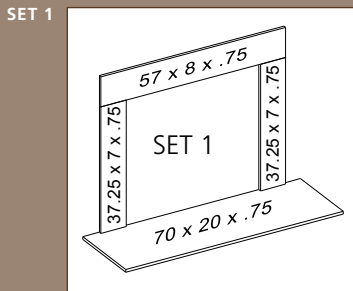
SLATE



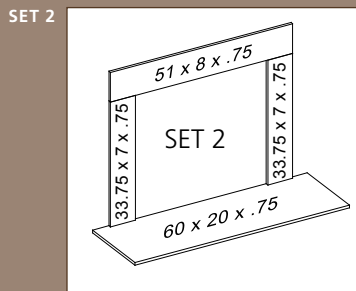
WHEATFIELD GRANITE

## Stone Sets

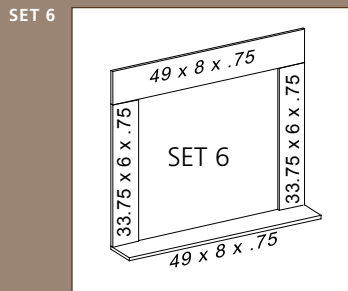
The timeless elegance of natural stone, from the world's finest quarries, is a striking accent to wood mantels. Quality stone facings and hearths are the perfect complement to your fireplace.



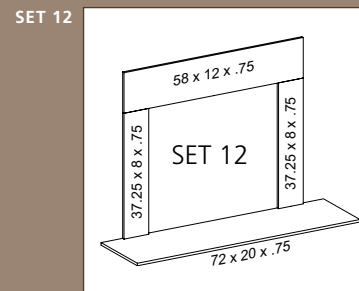
For use with most wood-burning and gas fireplaces



For use with most wood-burning and gas fireplaces



For use with most gas fireplaces



For use when a larger header is required



# Flush Wood Mantels

Capture your unique style by framing your fireplace with a well-crafted **FLUSH WOOD MANTEL** coordinated with beautiful natural stone. Create a warm, welcoming space in your home that showcases your style.

Sonoma mantel with custom chocolate stain and caledonia granite

PHILLIPS HALL *design series*

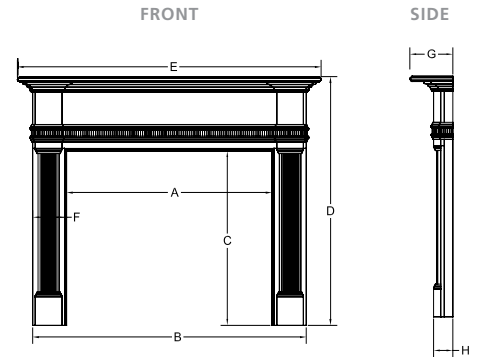


Available in:

**MDF**  
PRIMED

**OAK**  
UNFINISHED

**MAPLE**  
UNFINISHED



- TRANSITIONAL STYLE
- SHOWN WITH CUSTOM HONEY FINISH AND MARRON BROWN MARBLE

Phillips Hall	A OPENING WIDTH	B OUTSIDE WIDTH	C OPENING HEIGHT	D OUTSIDE HEIGHT	E TOP WIDTH	F LEG WIDTH	G SHELF DEPTH	H LEG DEPTH	I RECOMMENDED SET SIZE
B SIZE	48"	64"	39-1/2"	56-1/4"	71"	7-1/2"	10"	4-1/2"	1
C SIZE	53"	68"	42"	58-3/4"	76"	7"	10"	4-1/2"	1

PARSONS *design series*

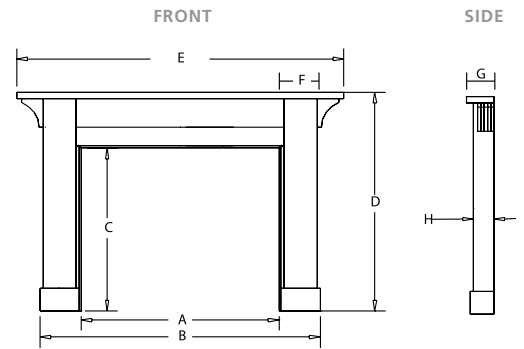


Available in:

**MDF**  
PRIMED

**OAK**  
UNFINISHED

**MAPLE**  
UNFINISHED



- TRANSITIONAL STYLE
- SHOWN WITH CUSTOM CHOCOLATE FINISH AND NEW VENETIAN GRANITE

Parsons	A OPENING WIDTH	B OUTSIDE WIDTH	C OPENING HEIGHT	D OUTSIDE HEIGHT	E TOP WIDTH	F LEG WIDTH	G SHELF DEPTH	H LEG DEPTH	I RECOMMENDED SET SIZE
B SIZE	48"	68"	39-1/2"	53"	79-3/8"	9-1/2"	6-3/4"	5"	1
C SIZE	53"	70"	42"	55-1/2"	81-3/8"	8"	6-3/4"	5"	1



**A** • TRANSITIONAL STYLE  
 • PORTICO MANTEL WITH INSET FINISHED TO MATCH MANTEL SHOWN WITH CUSTOM PAINT AND MARRON BROWN MARBLE



**B** • TRANSITIONAL STYLE  
 • PORTICO MANTEL WITH INSET FINISHED TO MATCH WALL COLOR SHOWN WITH CUSTOM PAINT AND MARRON BROWN MARBLE

## Portico Mantel Features

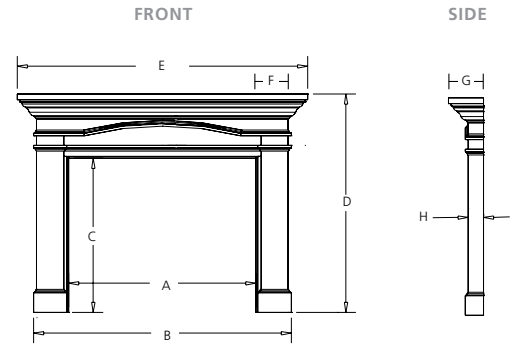
The Portico mantel features an open arch design that can be finished in one of three ways: A) Inset finished to match mantel, B) Inset painted to match wall color, or C) with custom natural stone inset.



**C** • TRANSITIONAL STYLE  
 • PORTICO MANTEL WITH CUSTOM NATURAL STONE INSET SHOWN WITH CUSTOM PAINT AND MARRON BROWN MARBLE

Available in:

- MDF**  
PRIMED
- OAK**  
UNFINISHED
- MAPLE**  
UNFINISHED



Portico	A OPENING WIDTH	B OUTSIDE WIDTH	C OPENING HEIGHT	D OUTSIDE HEIGHT	E TOP WIDTH	F LEG WIDTH	G SHELF DEPTH	H LEG DEPTH	I RECOMMENDED SET SIZE
B SIZE	48"	66"	39-1/2"	56"	74-1/2"	8-1/2"	9"	4"	1
C SIZE	53"	70"	42"	59"	78-1/2"	8"	9"	4"	1

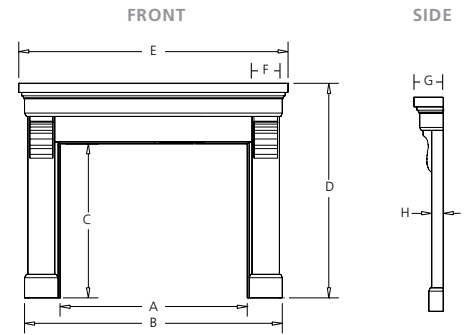


**SONOMA** *design series*



Available in:

- MDF**  
PRIMED
- OAK**  
UNFINISHED
- MAPLE**  
UNFINISHED



- TRANSITIONAL STYLE
- SHOWN WITH CUSTOM CHOCOLATE FINISH AND CALEDONIA GRANITE

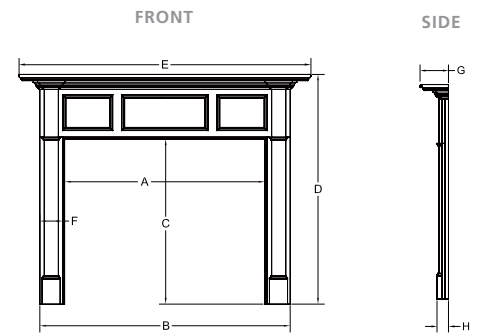
Sonoma	A OPENING WIDTH	B OUTSIDE WIDTH	C OPENING HEIGHT	D OUTSIDE HEIGHT	E TOP WIDTH	F LEG WIDTH	G SHELF DEPTH	H LEG DEPTH	I RECOMMENDED SET SIZE
B SIZE	48"	66"	39-1/2"	55"	69"	8-1/2"	7-5/8"	3"	1
C SIZE	53"	70"	42"	57-1/2"	73"	8"	7-5/8"	3"	1

**BELAIR** *signature series*



Available in:

- MDF**  
PRIMED
- OAK**  
UNFINISHED
- MAPLE**  
UNFINISHED



- TRANSITIONAL STYLE
- SHOWN WITH CUSTOM PAINT AND SLATE

Belair	A OPENING WIDTH	B OUTSIDE WIDTH	C OPENING HEIGHT	D OUTSIDE HEIGHT	E TOP WIDTH	F LEG WIDTH	G SHELF DEPTH	H LEG DEPTH	I RECOMMENDED SET SIZE
A SIZE	44"	56"	36-1/2"	52"	66"	5-1/2"	7-3/8"	3"	6
B SIZE	48"	60"	39-1/2"	55"	70"	5-1/2"	7-3/8"	3"	2
C SIZE	53"	65"	42"	57-1/2"	75"	5-1/2"	7-3/8"	3"	1

**FAIRFIELD** signature series

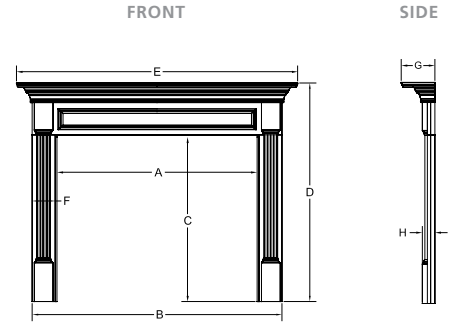


Available in:

**MDF**  
PRIMED

**OAK**  
UNFINISHED

**MAPLE**  
UNFINISHED



- TRADITIONAL STYLE
- SHOWN WITH CUSTOM PAINT AND GREEN GRANITE

Fairfield	A OPENING WIDTH	B OUTSIDE WIDTH	C OPENING HEIGHT	D OUTSIDE HEIGHT	E TOP WIDTH	F LEG WIDTH	G SHELF DEPTH	H LEG DEPTH	I RECOMMENDED SET SIZE
A SIZE	44"	56"	36-1/2"	48-3/4"	63-1/2"	5-1/2"	8"	2-3/4"	6
B SIZE	48"	60"	39-1/2"	51-3/4"	67-1/2"	5-1/2"	8"	2-3/4"	2
C SIZE	53"	65"	42"	54-1/4"	72-1/2"	5-1/2"	8"	2-3/4"	1

**MT. VERNON** signature series

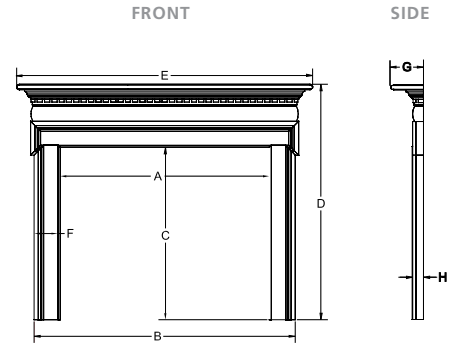


Available in:

**MDF**  
PRIMED

**OAK**  
UNFINISHED

**MAPLE**  
UNFINISHED



- TRADITIONAL STYLE
- SHOWN WITH CUSTOM NATURAL FINISH AND ABSOLUTE BLACK GRANITE

Mt. Vernon	A OPENING WIDTH	B OUTSIDE WIDTH	C OPENING HEIGHT	D OUTSIDE HEIGHT	E TOP WIDTH	F LEG WIDTH	G SHELF DEPTH	H LEG DEPTH	I RECOMMENDED SET SIZE
A SIZE	44"	56"	36-1/2"	51"	64"	5-1/2"	7-1/2"	2-7/16"	6
B SIZE	48"	60"	39-1/2"	54"	68"	5-1/2"	7-1/2"	2-7/16"	2
C SIZE	53"	65"	42"	56-1/2"	73"	5-1/2"	7-1/2"	2-7/16"	1

**KENWOOD** signature series



- TRANSITIONAL STYLE
- SHOWN WITH OPTIONAL BASE IN CUSTOM PAINT AND WHEATFIELD GRANITE

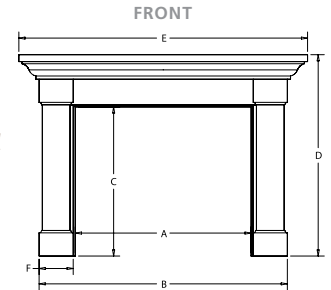
Available in:

**MDF**  
PRIMED

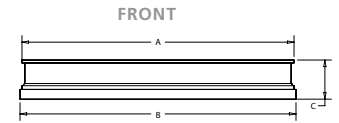
**OAK**  
UNFINISHED

**MAPLE**  
UNFINISHED

kenwood  
mantel



optional  
base



Optional Base	A TOP WIDTH	B BOTTOM WIDTH	C HEIGHT	D TOP DEPTH	E BOTTOM DEPTH
A SIZE	62-3/4"	63-3/4"	10"	11-1/4"	11-3/4"
B SIZE	69-1/2"	70-1/2"	10"	11-1/4"	11-3/4"
C SIZE	74"	75"	10"	11-1/4"	11-3/4"

Kenwood (Without Base)	A OPENING WIDTH	B OUTSIDE WIDTH	C OPENING HEIGHT	D OUTSIDE HEIGHT	E TOP WIDTH	F LEG WIDTH	G SHELF DEPTH	H LEG DEPTH	I RECOMMENDED SET SIZE
A SIZE	44"	60"	36-1/2"	48-3/4"	69-1/2"	8"	9-3/4"	4-3/4"	6
B SIZE	48"	65"	39-1/2"	51-3/4"	74-1/2"	8"	9-3/4"	4-3/4"	1
C SIZE	53"	70"	42"	54-1/4"	79-1/2"	8"	9-3/4"	4-3/4"	1

**PLYMOUTH** signature series



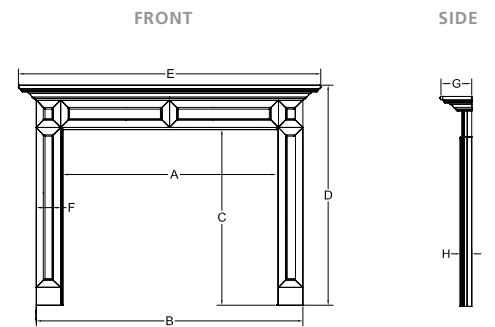
- TRANSITIONAL STYLE
- SHOWN WITH CUSTOM NATURAL FINISH AND NEW VENETIAN GRANITE

Available in:

**MDF**  
PRIMED

**OAK**  
UNFINISHED

**MAPLE**  
UNFINISHED



Plymouth	A OPENING WIDTH	B OUTSIDE WIDTH	C OPENING HEIGHT	D OUTSIDE HEIGHT	E TOP WIDTH	F LEG WIDTH	G SHELF DEPTH	H LEG DEPTH	I RECOMMENDED SET SIZE
A SIZE	44"	56"	36-1/2"	46-1/2"	64"	5-1/2"	7-3/8"	2-1/4"	6
B SIZE	48"	60"	39-1/2"	49-1/2"	68"	5-1/2"	7-3/8"	2-1/4"	2
C SIZE	53"	65"	42"	52"	73"	5-1/2"	7-3/8"	2-1/4"	1

## ROSEVILLE *signature series*



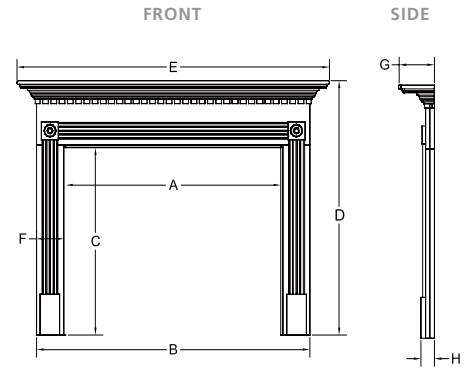
- TRADITIONAL STYLE
- SHOWN WITH CUSTOM AUBURN FINISH AND BEIGE MARBLE

Available in:

**MDF**  
PRIMED

**OAK**  
UNFINISHED

**MAPLE**  
UNFINISHED



Roseville	A OPENING WIDTH	B OUTSIDE WIDTH	C OPENING HEIGHT	D OUTSIDE HEIGHT	E TOP WIDTH	F LEG WIDTH	G SHELF DEPTH	H LEG DEPTH	I RECOMMENDED SET SIZE
A SIZE	44"	56"	36-1/2"	49-1/2"	64"	5-1/2"	7-3/8"	2-3/4"	6
B SIZE	48"	60"	39-1/2"	52-1/2"	68"	5-1/2"	7-3/8"	2-3/4"	2
C SIZE	53"	65"	42"	55"	73"	5-1/2"	7-3/8"	2-3/4"	1

## BRIDGEPORT *select series*

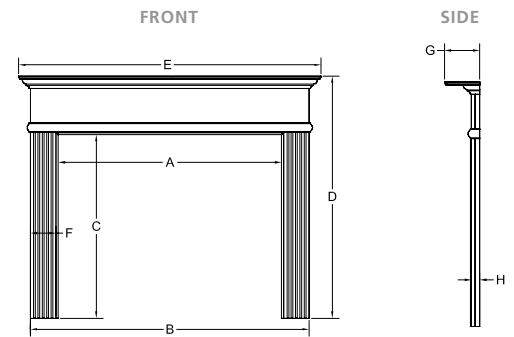


- TRANSITIONAL STYLE
- SHOWN WITH CUSTOM NATURAL FINISH AND GREEN GRANITE

Available in:

**MDF**  
PRIMED

**OAK**  
UNFINISHED



Bridgeport	A OPENING WIDTH	B OUTSIDE WIDTH	C OPENING HEIGHT	D OUTSIDE HEIGHT	E TOP WIDTH	F LEG WIDTH	G SHELF DEPTH	H LEG DEPTH	I RECOMMENDED SET SIZE
A SIZE	44"	56"	36-1/2"	49-3/32"	61"	5-1/2"	7-1/2"	1-15/16"	6
B SIZE	48"	60"	39-1/2"	52-3/32"	65"	5-1/2"	7-1/2"	1-15/16"	2
C SIZE	53"	65"	42"	54-19/32"	70"	5-1/2"	7-1/2"	1-15/16"	1

## HASTINGS *select series*

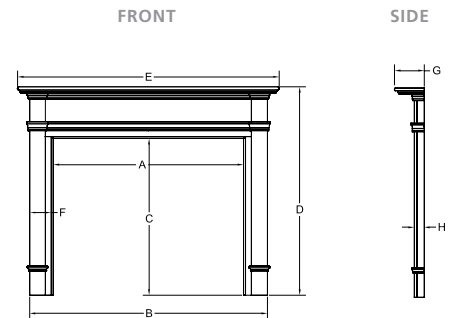


- TRANSITIONAL STYLE
- SHOWN WITH CUSTOM AUBURN FINISH AND TAN BROWN GRANITE

Available in:

**MDF**  
PRIMED

**OAK**  
UNFINISHED



Hastings	A OPENING WIDTH	B OUTSIDE WIDTH	C OPENING HEIGHT	D OUTSIDE HEIGHT	E TOP WIDTH	F LEG WIDTH	G SHELF DEPTH	H LEG DEPTH	I RECOMMENDED SET SIZE
A SIZE	44"	56"	36-1/2"	49-1/2"	62"	5-1/2"	7-3/8"	2-1/2"	6
B SIZE	48"	60"	39-1/2"	52-1/2"	66"	5-1/2"	7-3/8"	2-1/2"	2
C SIZE	53"	65"	42"	55"	71"	5-1/2"	7-3/8"	2-1/2"	1

## NEWPORT *select series*

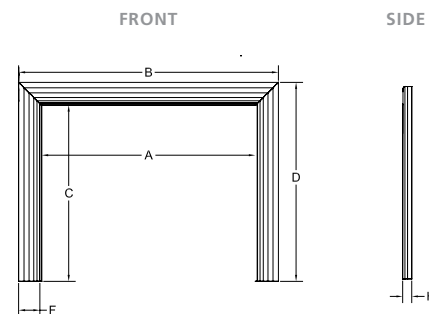


- TRANSITIONAL STYLE
- SHOWN WITH CUSTOM NATURAL FINISH AND TAN BROWN GRANITE

Available in:

**MDF**  
PRIMED

**OAK**  
UNFINISHED



### Newport

	A OPENING WIDTH	B OUTSIDE WIDTH	C OPENING HEIGHT	D OUTSIDE HEIGHT	F LEG WIDTH	H LEG DEPTH	I RECOMMENDED SET SIZE
<b>A SIZE</b>	44"	54-1/4"	36-1/2"	41-5/8"	4-5/8"	2-1/8"	6
<b>B SIZE</b>	48"	58-1/4"	39-1/2"	44-5/8"	4-5/8"	2-1/8"	2
<b>C SIZE</b>	53"	63-1/4"	42"	47-1/8"	4-5/8"	2-1/8"	1

## WINCHESTER *select series*

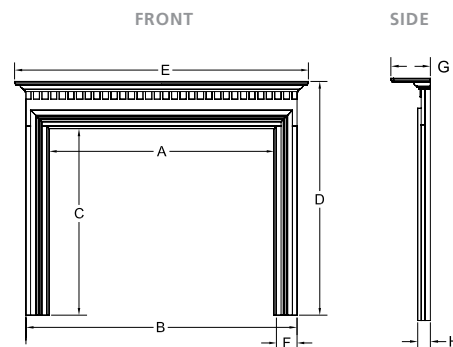


- TRADITIONAL STYLE
- SHOWN WITH CUSTOM AUBURN FINISH AND BEIGE MARBLE

Available in:

**MDF**  
PRIMED

**OAK**  
UNFINISHED



### Winchester

	A OPENING WIDTH	B OUTSIDE WIDTH	C OPENING HEIGHT	D OUTSIDE HEIGHT	E TOP WIDTH	F LEG WIDTH	G SHELF DEPTH	H LEG DEPTH	I RECOMMENDED SET SIZE
<b>A SIZE</b>	44"	53"	36-1/2"	45-3/4"	57-1/2"	4"	7-1/2"	2-7/16"	6
<b>B SIZE</b>	48"	57"	39-1/2"	48-3/4"	61-1/2"	4"	7-1/2"	2-7/16"	2
<b>C SIZE</b>	53"	62"	42"	51-1/4"	66-1/2"	4"	7-1/2"	2-7/16"	1

## YORKTOWN *select series*

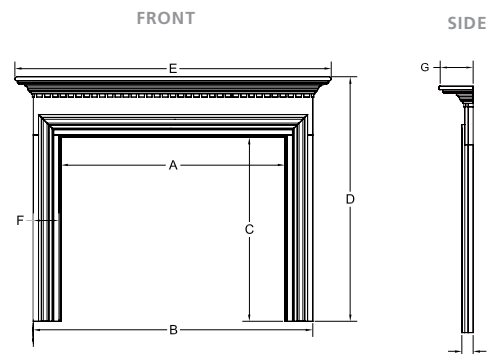


- TRADITIONAL STYLE
- SHOWN WITH CUSTOM HONEY FINISH AND NEW VENETIAN GRANITE

Available in:

**MDF**  
PRIMED

**OAK**  
UNFINISHED



### Yorktown

	A OPENING WIDTH	B OUTSIDE WIDTH	C OPENING HEIGHT	D OUTSIDE HEIGHT	E TOP WIDTH	F LEG WIDTH	G SHELF DEPTH	H LEG DEPTH	I RECOMMENDED SET SIZE
<b>A SIZE</b>	44"	56"	36-1/2"	49-1/2"	64"	5-1/2"	7-3/8"	2-7/16"	6
<b>B SIZE</b>	48"	60"	39-1/2"	52-1/2"	68"	5-1/2"	7-3/8"	2-7/16"	2
<b>C SIZE</b>	53"	65"	42"	55"	73"	5-1/2"	7-3/8"	2-7/16"	1



# Wood Shelf Mantels

The **SHELF MANTEL** is the perfect accent to a brick fireplace and a place to showcase some of your most cherished mementos. Available either in 48", 59" or 72" lengths\*

**ST. CLOUD** *design series*



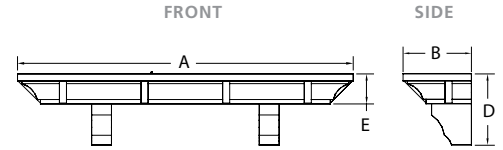
- TRANSITIONAL STYLE
- SHOWN WITH CUSTOM AUBURN FINISH
- AVAILABLE IN 48", 59" & 72" WIDTHS

Available in:

**MDF**  
PRIMED

**OAK**  
UNFINISHED

**MAPLE**  
UNFINISHED



St. Cloud	A WIDTH	B SHELF DEPTH	D HEIGHT WITH CORBELS	E SHELF HEIGHT
SIZE	48", 59" & 72"	12"	12-17/32"	5-5/32"

**BENNINGTON** *signature series*



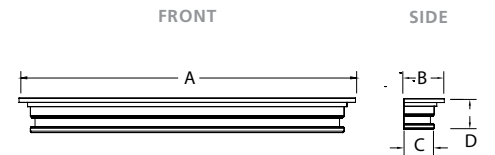
- TRANSITIONAL STYLE
- SHOWN WITH CUSTOM AUBURN FINISH
- AVAILABLE IN 48", 59" & 72" WIDTHS

Available in:

**MDF**  
PRIMED

**OAK**  
UNFINISHED

**MAPLE**  
UNFINISHED



Bennington	A WIDTH	B SHELF DEPTH	C DEPTH	D HEIGHT
SIZE	48", 59" & 72"	8"	6"	6"

**COVINGTON** *select series*

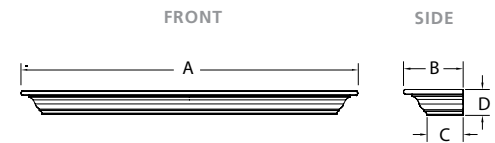


- TRADITIONAL STYLE
- SHOWN WITH CUSTOM AUBURN FINISH
- AVAILABLE IN 48", 59" & 72" WIDTHS

Available in:

**MDF**  
PRIMED

**OAK**  
UNFINISHED



Covington	A WIDTH	B SHELF DEPTH	C DEPTH	D HEIGHT
SIZE	48", 59" & 72"	9-3/8"	5-1/2"	4-1/16"



# Wood Cabinets

Don't be afraid to think beyond the traditional flush fireplace installation. A **CORNER OR FLAT WALL CABINET** is a great way to mix it up. Frame your fireplace perfectly and add a more dramatic look to your room.



## KENWOOD CORNER CABINET *signature series*

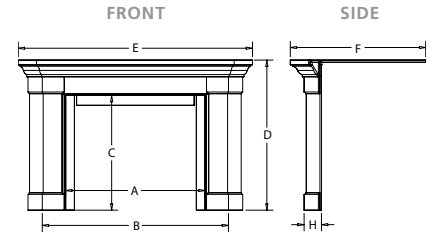
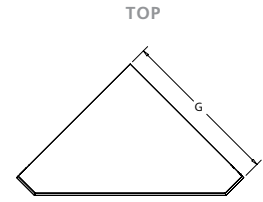


Available in:

**MDF**  
PRIMED

**OAK**  
UNFINISHED

**MAPLE**  
UNFINISHED



- TRANSITIONAL STYLE
- SHOWN WITH CUSTOM PAINT AND CALEDONIA GRANITE

Kenwood Corner (Without Base)	A OPENING WIDTH	B OUTSIDE WIDTH	C OPENING HEIGHT	D OUTSIDE HEIGHT	E TOP WIDTH	F TOP DEPTH	G SHELF DEPTH (ALONG WALL)	H LEG DEPTH	I RECOMMENDED SET SIZE
43HB	43"	58-1/2"	38-1/4"	50-1/2"	71-11/16"	40-5/32"	50-11/16"	6-1/8"	6
44SB	42"	59*-1/8"	36-1/2"	48-11/16"	74-21/32"	43-5/8"	52-25/32"	8-29/32"	6
48DB	48"	60"	39-1/2"	51-11/16"	80-21/32"	46-5/8"	57-1/32"	8-29/32"	6

## KENWOOD CORNER CABINET OPTIONAL BASE *signature series*

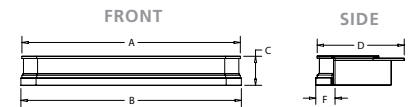
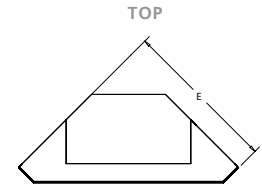


Available in:

**MDF**  
PRIMED

**OAK**  
UNFINISHED

**MAPLE**  
UNFINISHED



- TRANSITIONAL STYLE
- SHOWN WITH CUSTOM PAINT AND ABSOLUTE BLACK GRANITE

Kenwood Corner Optional Base	A TOP WIDTH	B BOTTOM WIDTH	C HEIGHT	D TOP DEPTH	E SHELF DEPTH (ALONG WALL)	F BASE RETURN
43HB	67-3/32"	67-13/16"	10"	26"	47-7/16"	4-31/32"
44SB	69-13/16"	70-1/2"	10"	30"	49-3/8"	7-3/4"
48DB	75-13/16"	76-1/2"	10"	30"	53-19/32"	7-3/4"

## KENWOOD WALL CABINET *signature series*

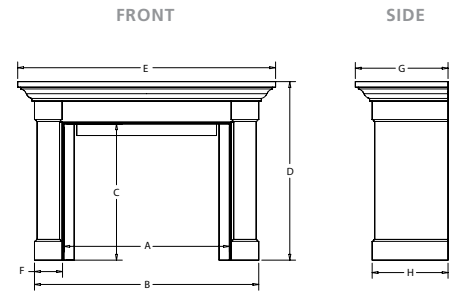


Available in:

**MDF**  
PRIMED

**OAK**  
UNFINISHED

**MAPLE**  
UNFINISHED



- TRANSITIONAL STYLE
- SHOWN WITH CUSTOM PAINT AND MARRON BROWN MARBLE

Kenwood Wall Cabinet	A OPENING WIDTH	B OUTSIDE WIDTH	C OPENING HEIGHT	D OUTSIDE HEIGHT	E TOP WIDTH	F LEG WIDTH	G SHELF DEPTH	H LEG DEPTH	I RECOMMENDED SET SIZE
43HB	43"	60"	38-1/4"	50-1/2"	69-3/4"	8"	29-5/8"	24-3/4"	6
44SB	42"	59"	36-1/2"	48-3/4"	68-3/4"	8"	26-7/8"	22"	6
48SB	48"	65"	39-1/2"	51-3/4"	74-3/4"	8"	26-7/8"	22"	6
48DB	48"	65"	39-1/2"	51-3/4"	74-3/4"	8"	31-5/8"	26-3/4"	6

## KENWOOD WALL CABINET OPTIONAL BASE *signature series*

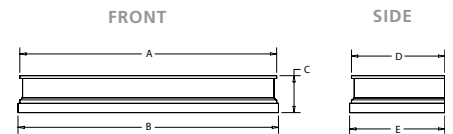


Available in:

**MDF**  
PRIMED

**OAK**  
UNFINISHED

**MAPLE**  
UNFINISHED



- TRANSITIONAL STYLE
- OPTIONAL BASE SHOWN WITH KENWOOD WALL CABINET IN CUSTOM PAINT AND WHEATFIELD GRANITE

Kenwood Wall Optional Base	A TOP WIDTH	B BOTTOM WIDTH	C HEIGHT	D TOP DEPTH	E BOTTOM DEPTH
43HB	64-1/2"	65-1/2"	10"	28"	28-1/2"
44SB	63-1/2"	64-1/2"	10"	25-1/4"	25-3/4"
48SB	69-1/2"	70-1/2"	10"	25-1/4"	25-3/4"
48DB	69-1/2"	70-1/2"	10"	30"	30-1/2"

# Custom Order Stain Options

All mantels & surrounds by Fireside Furnishings are available in primed MDF paint grade or unfinished oak and maple. Unfinished mantels are shipped ready-to-stain and for you to customize with the stain of your choice, or we can finish them for you. These orders are a custom quote based on mantel design and wood species. Your mantel provider can supply you with details on price and lead times of the available stain options.

*oak*

*maple*

*natural*



*honey*



*auburn*



*ginger*



*chocolate*





# Cast Stone Mantels

Showcase distinctive stonework usually reserved for Old World cathedrals with a **CAST STONE MANTEL**. Intricate detail adds prestige to your fireplace, and depth to your décor.

**AVALON** *design series*



- TRADITIONAL STYLE
- SHOWN IN MACCHIATO WITH INSERT PANELS AND HEARTH 2
- MACCHIATO COMES IN TRAVERTINE TEXTURE

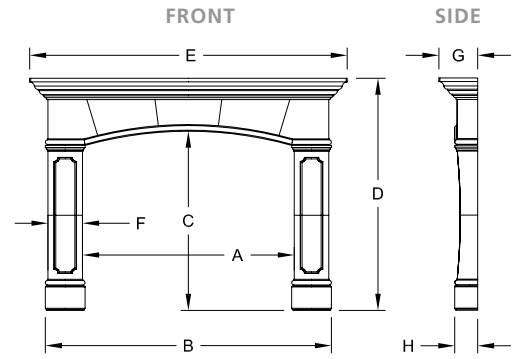
Available in:



MACCHIATO



BEIGE



**Avalon**

AFANTC5244

A OPENING WIDTH	B OUTSIDE WIDTH	C OPENING HEIGHT	D OUTSIDE HEIGHT	E TOP WIDTH	F LEG WIDTH	G SHELF DEPTH	H LEG DEPTH
52"	70-1/4"	44"	57"	78"	8-1/2"	9-1/2"	5-5/8"

**AVALON OVERMANTEL** *design series*



- TRADITIONAL STYLE
- SHOWN IN BEIGE WITH OVERMANTEL FRAME, OVERMANTEL PANELS, INSERT PANELS AND HEARTH 2
- BEIGE COMES IN LIMESTONE TEXTURE

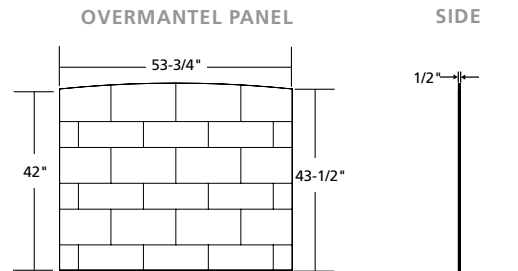
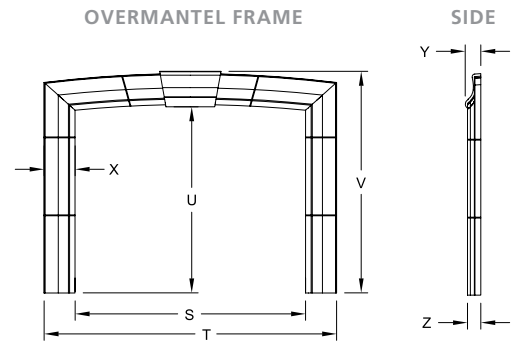
Available in:



MACCHIATO



BEIGE



**Avalon  
Overmantel**

FRAME - AFOL6650,  
PANEL - AFOP5444

S OPENING WIDTH	T OUTSIDE WIDTH	U OPENING HEIGHT	V OUTSIDE HEIGHT	X FRAME WIDTH	Y FRAME DEPTH	Z FRAME DEPTH
52"	66"	42"	50"	7"	3-1/2"	3"

**BILTMORE** *design series*



- TRADITIONAL STYLE
- SHOWN IN BEIGE WITH INSERT PANELS AND HEARTH 2
- BEIGE COMES IN LIMESTONE TEXTURE

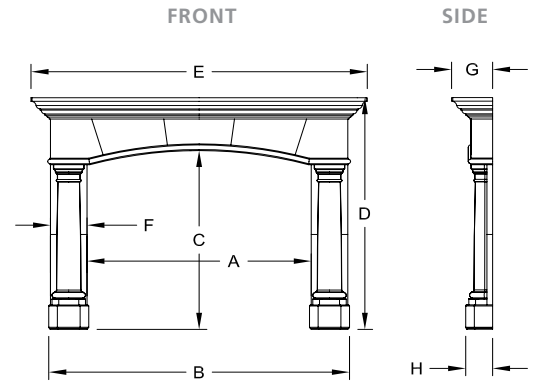
Available in:



MACCHIATO



BEIGE



**Biltmore**

AFBETC5244

A OPENING WIDTH	B OUTSIDE WIDTH	C OPENING HEIGHT	D OUTSIDE HEIGHT	E TOP WIDTH	F LEG WIDTH	G SHELF DEPTH	H LEG DEPTH
52"	69-3/4"	44"	57"	78"	8-1/2"	9-1/2"	6-1/4"

**BILTMORE OVERMANTEL** *design series*



- TRADITIONAL STYLE
- SHOWN IN MACCHIATO WITH OVERMANTEL FRAME, OVERMANTEL PANELS, INSERT PANELS AND HEARTH 2
- MACCHIATO COMES IN TRAVERTINE TEXTURE

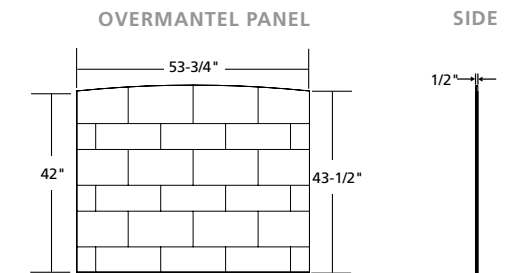
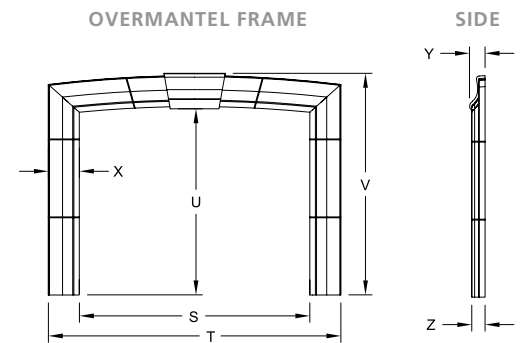
Available in:



MACCHIATO



BEIGE



**Biltmore  
Overmantel**

FRAME - AFOL6650,  
PANEL - AFOP5444

S OPENING WIDTH	T OUTSIDE WIDTH	U OPENING HEIGHT	V OUTSIDE HEIGHT	X FRAME WIDTH	Y FRAME DEPTH	Z FRAME DEPTH
52"	66"	42"	50"	7"	3-1/2"	3"

## HEARST *design series*



- TRADITIONAL STYLE
- SHOWN IN MACCHIATO WITH WITH INSERT PANELS AND HEARTH 2
- MACCHIATO COMES IN TRAVERTINE TEXTURE

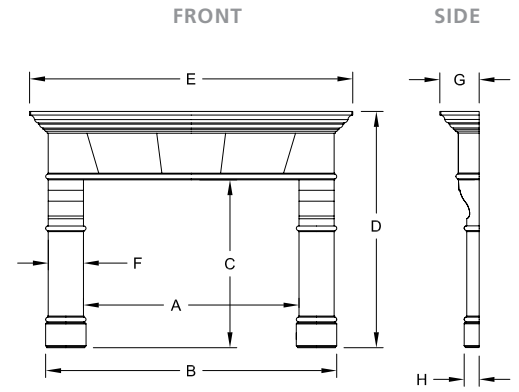
Available in:



MACCHIATO



BEIGE



### Hearst

AFHTTC5244

A  
OPENING  
WIDTH

52"

B  
OUTSIDE  
WIDTH

69-3/4"

C  
OPENING  
HEIGHT

40-1/2"

D  
OUTSIDE  
HEIGHT

57"

E  
TOP  
WIDTH

78"

F  
LEG  
WIDTH

8-1/2"

G  
SHELF  
DEPTH

9-1/2"

H  
LEG  
DEPTH

3-5/8"

## HEARST OVERMANTEL *design series*



- TRADITIONAL STYLE
- SHOWN IN BEIGE WITH OVERMANTEL FRAME, OVERMANTEL PANELS, INSERT PANELS AND HEARTH 2
- BEIGE COMES IN LIMESTONE TEXTURE

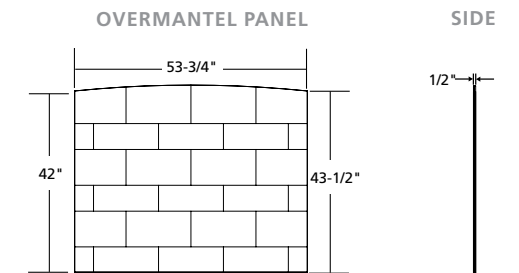
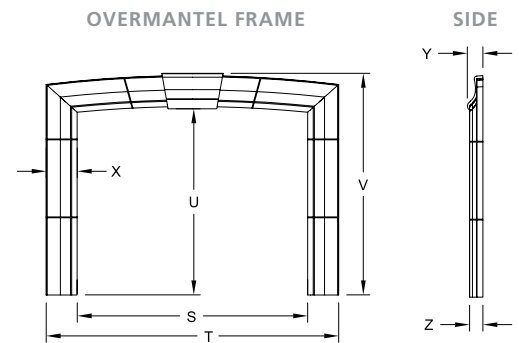
Available in:



MACCHIATO



BEIGE



### Hearst Overmantel

FRAME - AFOL6650,  
PANEL - AFOP5444

S  
OPENING  
WIDTH

52"

T  
OUTSIDE  
WIDTH

66"

U  
OPENING  
HEIGHT

42"

V  
OUTSIDE  
HEIGHT

50"

X  
FRAME  
WIDTH

7"

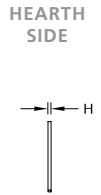
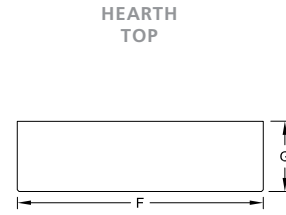
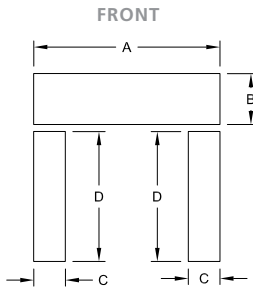
Y  
FRAME  
DEPTH

3-1/2"

Z  
FRAME  
DEPTH

3"

# CAST FACING



- SHOWN IN BEIGE
- BEIGE COMES IN LIMESTONE TEXTURE

Available in:



Cast Facing	A HEADER WIDTH	B HEADER HEIGHT	C LEG WIDTH	D LEG HEIGHT	E TYPICAL THICKNESS	F HEARTH WIDTH	G HEARTH DEPTH	H HEARTH THICKNESS
INSERT PANELS & HEARTH 1	53"	14-1/2"	10"	37"	3/4"	70"	20"	7/8"
INSERT PANELS & HEARTH 2	53"	14-1/2"	10"	37"	3/4"	74"	20"	1-1/4"

## NOTES

7571 215TH STREET WEST  
LAKEVILLE, MN 55044  
800-817-8223

[www.fireplaces.com](http://www.fireplaces.com)



FOR COMPLETE INFORMATION AND VALUABLE ASSISTANCE  
ON THESE MANTELS & SURROUNDS, CONTACT US AT:

All Fireside Furnishings hearths are UL listed for use with specified Hearth & Home Technologies products. For additional information, visit [www.ul.com](http://www.ul.com).

