

DaVinci
Custom Fireplaces™



aVinci Custom Fireplaces™

The most innovative and unique fireplaces ever made

DaVinci is a fusion of fire and iconic, contemporary design – The epitome of the perfect decorative, non-heating custom gas fireplace in all areas of design, innovation and functionality. With DaVinci, there are no design limitations.

The breathtaking beauty and style of a DaVinci Custom Fireplace will create a dramatic focal point in any room. A sleek, contemporary profile features an all-glass viewing area that surrounds a ribbon of rich, dancing flames. DaVinci's signature fire presentation draws you in with its striking presence of mesmerizing flames over a bed of Platinum reflective crushed glass with adjustable vibrant multi-color LED lighting.



60 Inch Single-Sided fireplace with 20" tall glass



ontents

DaVinci Custom Fireplaces® range in length from 3 to 21 feet, and feature four different glass heights of 12, 20, 30 and 36 inches.

Tantalizing Features

Special features of the DaVinci 4-11

Product Information

Single-Sided Fireplaces	12
Right & Left Corner Fireplaces	13
Bay Window Fireplaces	14
Pier Fireplaces	15
See-Thru Fireplaces	16
Island Fireplaces	17
Construction & Venting	18-19
“L”® Fireplaces By DaVinci	20



Watch a short video on how DaVinci Custom Fireplaces are made.



Safe Touch Glass™

Your safety is our number one concern. Innovative engineering keeps our double-pane, crystal clear glass at extraordinarily low temperatures, reducing any potential for injury.

This standard safety feature on every DaVinci Custom Fireplace makes them ideal for decorative home applications and high traffic commercial installations.





Zero Clearance To Combustible Surfaces

The fireplace's exterior remains cool to the touch from the outside air that is ducted to the fireplace. This eliminates the use of expensive non-combustible building materials and gives you the freedom to finish right up to the edge of the glass with any building materials you desire.



Sheetrock

Use the clean finish edge on sheetrock or the custom black painted metal trim along the top edge.



Wood

Any wood finish of your choice can be installed right to the edge of the glass.



Tile or Stone

Use Hardy Board siding or attach stone or tile directly to the fireplace. Stone or tile can go right to the edge of the glass.

Multi-Colored Interior LED Lighting

DaVinci's Platinum crushed glass floor is under-lit with vibrant colored LED lights that take this fireplace to a whole new level when illuminated. An endless array of vivid colors is at your fingertips, allowing you to set the mood and create the perfect ambiance for any occasion. The burst of color adds a mesmerizing glow around the flames and reflects off the crushed glass floor to create a dramatic presentation of fire unlike anything you've ever seen.



Upgrade Options

Choice of Liners

These contemporary liners provide a dramatic backdrop to the dancing flames of your DaVinci.



Standard Black Paint Finish



Silver Paint Finish



Black Porcelain Finish

Choice of Fyre-Art™

Transform the overall look of your DaVinci with one of these transitional Fyre-Art™ options. We craft our Fyre-Art™ based on pieces of driftwood and time worn stones to offer the most detailed and realistic media available.



Driftwood Log Set



Twig & Stone Kit

Choice of Trim

The hand-hammered IronWorks™ Trim is both a study in craftsmanship and a true work of art individually made by our talented in-house blacksmiths. Each IronWorks™ Trim features hammered, textured surfaces and intricate detailing that provides a stunning accent to the fire.

The IronWorks™ Trim is available in your choice of hand-rubbed Bronze Patina or Burnished Patina. These finishes are hand-applied by skilled artisans and are absorbed deep into the metal, giving a rich luster and imparting a unique look with no two finishes exactly alike.



IronWorks™ Trim is available in Bronze Patina and Burnished Patina

Heat Exchanger

While the DaVinci is primarily designed as a non-heating fireplace, there are occasions where heat is desired. DaVinci Custom Fireplace makes a heat exchanger add-on option that allows you to vent heat in the room where the fireplace is located, or into a nearby location within the building.

Seven Models

Single-Sided



Right Corner



Left Corner



Bay Window



Pier



DaVinci Custom Fireplaces™ are available in seven different models, allowing you to create a fireplace with a design configuration that will architecturally complement any space.

- Single-Sided & See-Thru models:
Lengths range from 3 feet to 20 feet.
- Right Corner, Left Corner & Pier Models:
Lengths range from 3.5 feet to 20.5 feet.
- Bay Window & Island Models:
Lengths range from 4 feet to 21 feet.

Island



See-Thru





our Glass Heights

All seven DaVinci models feature the choice of four different glass heights, which range from a sleek 12 inches tall up to a massive 36 inches tall.



12" Glass Height



20" Glass Height




30" Glass Height



36" Glass Height

eatures

- Manufactured in Mukilteo, WA by Travis Industries, North America's premier manufacturer of hearth products.
- Winner of the prestigious Hearth Industry VESTA Award for Best New Gas Fireplace in North America for 2014. 
- Manufacturing is extremely efficient, cutting lead times down to 4-6 weeks, which is half of the custom fireplace industry standard!
- 14,500 BTUs per foot input.
- More than 500 individual custom fireplace designs to choose from.
 - 12", 20", 30 or 36" glass heights.
 - Order by the foot lengths from 3 to 21 feet.
 - 7 Fireplace Designs:
 - Single-Sided Fireplaces
 - Right Corner Fireplaces
 - Left Corner Fireplaces
 - See-Thru Fireplaces
 - Bay Window Fireplaces
 - Pier Fireplaces
 - Island Fireplaces
- Platinum reflective crushed glass floor with multi-colored LED lighting.

- DaVinci Custom Fireplaces are the finest engineered fireplaces, and feature heavy gauge steel construction and the highest quality materials available.
- Innovative modular design makes DaVinci the easiest custom fireplace to deliver and install at the jobsite.
- Approved for covered outdoor installation. See-Thru models can be built into an exterior wall using our Exterior Window Kit
- Zero clearance to combustible surfaces.
- Quiet power vent exhaust system accommodates vent runs up to 150 feet long. The exhaust vent can terminate above, to the sides or below the fireplace.
- Choice of vertical or inline horizontal power vent fans.
- Non-heater decorative fireplace rated. Tested and listed to:
ANSI Z21.50b-2014 / CSA 2.22b-2014
- Optional heat exchanger available for applications requiring room heat.
- U. S. and Foreign Patents Pending.





*144" (12 foot) See-Thru fireplace with 20" tall glass .
Enjoy the beauty of the fire without the heat or add the optional heat exchanger if heat is desired.*

Single-Sided

The sleek simplicity of this fireplace lends itself to a wide range of applications and has the ability to complement any residential or commercial space with its clean, dynamic view, and a fire that will not overheat your dinner guests. Available in one foot lengths from 3 feet to 20 feet. Choose 12", 20", 30" or 36" tall glass.



This restaurant setting features a 168 inch (14 Ft) Single-Sided Fireplace with 20" tall glass

R ight or Left Corner

This eye-catching corner design adds visual depth and dimension to the fireview, while architecturally complementing a variety of applications. The modular design of the DaVinci allows us to custom build Corner Fireplaces in lengths up to 246 inches (20.5 feet) and glass in 12", 20", 30" or 36" heights.



120 Inch (10 ft) Left Corner fireplace with 12" tall glass

Bay Window

This fireplace features a contemporary three-sided glass design that showcases the fire from multiple view points and provides a dramatic focal point to any room. Available in one foot lengths from 4 feet to 21 feet and your choice of 12", 20", 30" or 36" tall glass.



72 Inch (6 ft) Bay Window fireplace with 12" tall glass



The unique architectural design of this fireplace serves as a beautiful focal point that can be used to divide a large living space or integrate two smaller spaces. Available in lengths up to 246 inches (20.5 feet) and glass in 12", 20", 30" or 36" heights.



54 Inch (4.5 ft) Pier fireplace with 20" tall glass



See-Thru

The See-Thru can serve as a stylish viewing window between two rooms, or provide a breathtaking display of fire to the center of large rooms and outdoor living spaces. Available in one foot lengths from 3 feet to 20 feet. Choose 12", 20", 30" or 36" tall glass.



Indoor/Outdoor 60 Inch (5 ft) See-Thru fireplace with 36" tall glass



The Island makes a stunning focal point for the center of any living space, as it features a 360 degree wrap-around fire view that can be enjoyed from any angle in the room. Available in one foot lengths from 4 feet to 21 feet and choice of 12", 20", 30" or 36" tall glass.



72 Inch (6 ft) Island fireplace with 20" tall glass

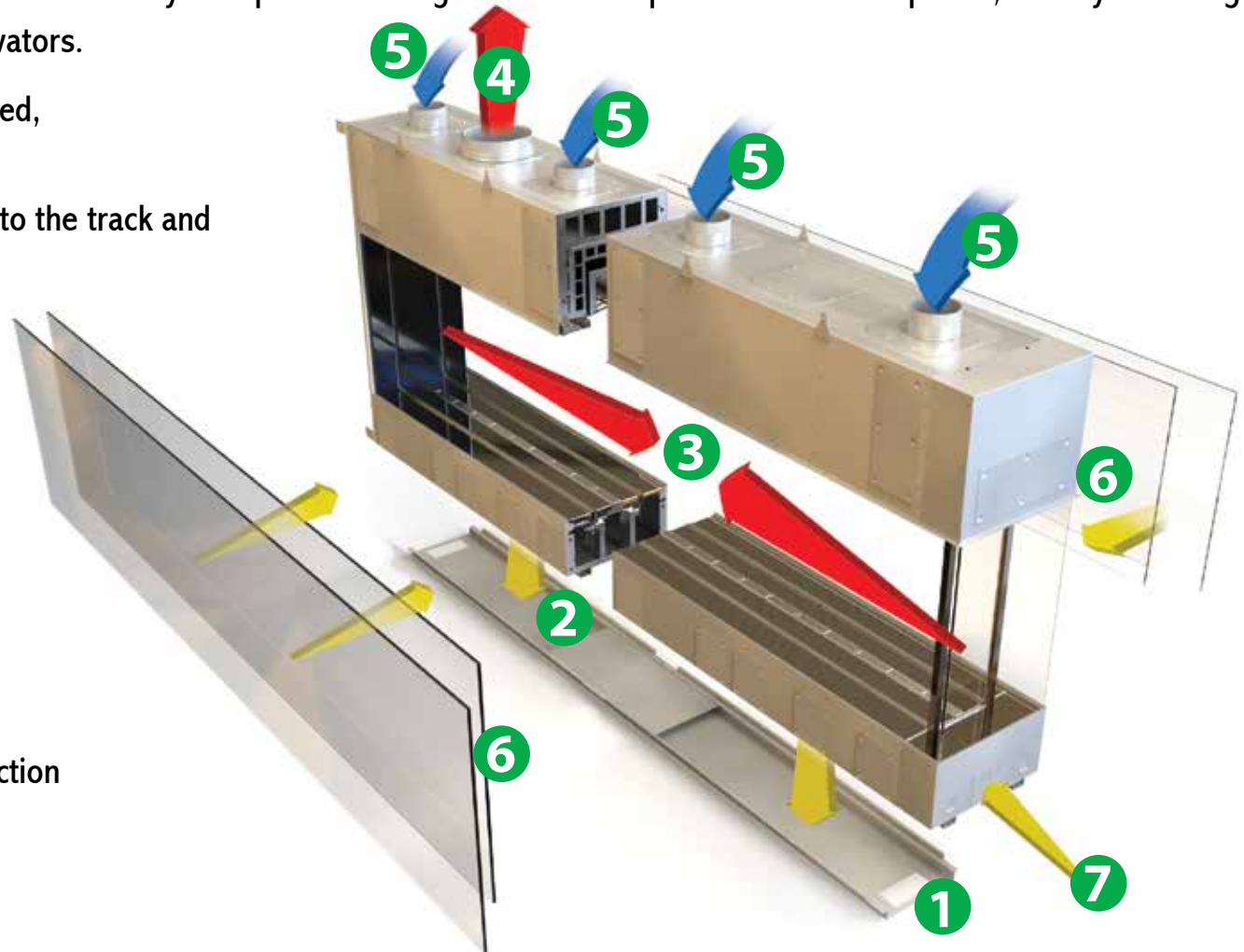
onstruction -Modular Construction

The World's First Modular Fireplace

DaVinci Custom Fireplaces up to 21 feet long can be easily and efficiently transported and installed on the job site.

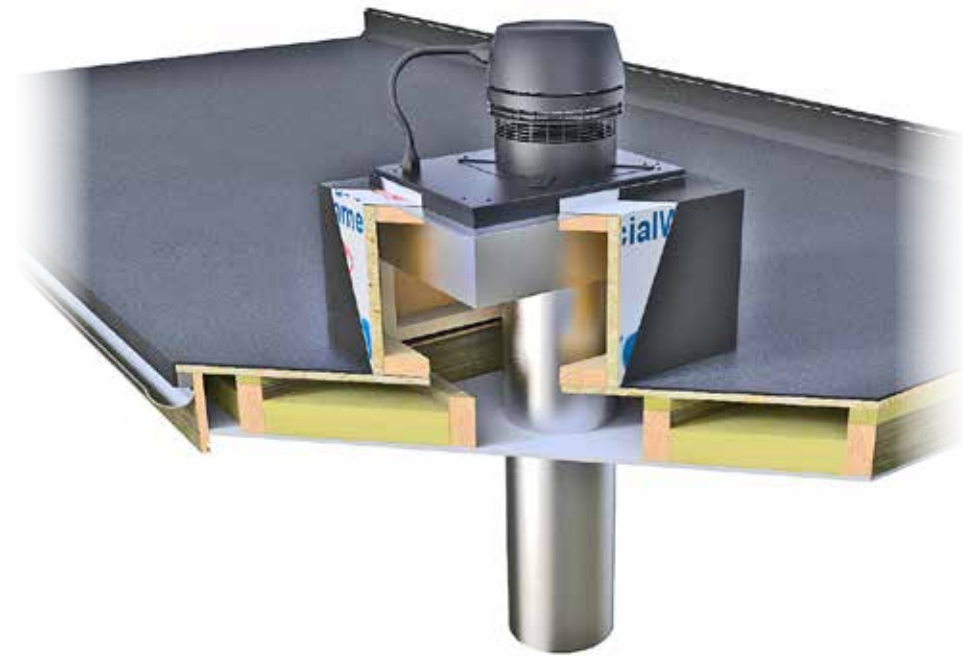
DaVinci features the revolutionary, patent pending Titan Lock System™ that allows these fireplaces to be bolted together without any additional framing, wall support or machinery. No special building entries are required for these fireplaces, as they fit through normal doorways, stairwells and elevators.

1. The Leveling Track can be delivered, set and leveled ahead of time.
2. The fireplace segments are set into the track and simply slide together.
3. These segments are then bolted together with the Titan Lock™ System
4. B-Vent chimney connects to the Power Vent Exhaust system
5. Combustion Air Intakes
6. Cut-to-size glass panels
7. 110 electrical and gas line connection



venting

All DaVinci Custom Fireplaces are power vented. A quiet power vent exhaust system pulls combustion air into and around the fireplace while at the same time exhausting combustion gases through the exhaust vent and out of the building. This system solves all venting challenges and accommodates vent runs up to 150 feet long or 3 feet below the unit, allowing you to install a DaVinci anywhere your imagination pictures it.



Vertical (Roof Top) Power Exhaust Vent Fan Termination
Check with your local building codes for snow pack height requirements.



Horizontal Termination (Inline Power Exhaust Fan)



Custom “L” Fireplaces By DaVinci - No Limitation!



The “L” is a larger than life new fireplace by DaVinci. As the name “L” suggests, this fireplace features a 90 degree turn of dancing flames extending in opposite directions, creating a stunning and architecturally unique presentation of fire.

With The “L” you have the ability to feature a fireplace with single or multiple 90 degree right and left corners of fire that can be configured as a Single-Sided, See-Thru, Bay Window, Island, Pier or Corner fireplace with any length sides you desire and glass heights ranging from 12 – 36 inches tall.

For more information on the “L” Custom Fireplaces By DaVinci call Shelby Rumens at 1-800-654-1177.



See our complete line of fireplaces
Visit us online: davincifireplace.com

We reserve the right to change and improve our product at any time without prior notification. Please refer to the Owner's Installation Manual for complete installation requirements.
Photos and illustrations are for descriptive purposes only. Copyright T. I. 9/2015

ARCAT

ARCAT.com is the most used FREE building product information website. All of DaVinci's spec information along with DWG and DFX drawings are listed on ARCAT and can easily be downloaded.

Search under Travis Industries or use this QR Code on your phone or tablet.

