



# Category 1 Owner's Manual

**⚠ WARNING:**

If the information in these instructions is not followed exactly, a fire or explosion may result causing property damage, personal injury or loss of life.

- Do not store or use gasoline or other flammable vapors and liquids in the vicinity of this or any other appliance.
- **WHAT TO DO IF YOU SMELL GAS**
  - Do not try to light any appliance.
  - Do not touch any electrical switch; do not use any phone in your building.
  - Immediately call your gas supplier from a neighbor's phone. Follow the gas supplier's instructions.
  - If you cannot reach your gas supplier, call the fire department.
- Installation and service must be performed by a qualified installer, service agency or the gas



Tested and Listed by



Report # 100884872PRT-001  
ANSI Z21.50b-2014 /  
CSA 2.22b-2014  
Gas-Fired Domestic and Commercial Heating  
Equipment "Vented Gas Fireplace"

This appliance may be installed in an aftermarket, permanently located, manufactured home (USA only) or mobile home, where not prohibited by local codes.

This appliance is only for use with the type of gas indicated on the rating plate. This appliance is not convertible for use with other gases, unless a certified kit is used.

**INSTALLER:** Leave this manual with the appliance.

**CONSUMER:** Retain this manual for future reference.

**Overview**

This manual details the DaVinci category 1 fireplace.

**Listing Details**

This appliance was listed by Intertek (Warnock Hersey) to ANSI Z21.50b-2014 / CSA 2.22b-2014. The listing label is chained to the appliance near the glass frame. A copy is shown to the right.

**Massachusetts Approval**

This manual has been submitted to the Massachusetts Board of State Examiners of Plumbers and Gas Fitters

**National Fireplace Institute**



We suggest that our gas hearth products be installed and serviced by professionals who are certified in the U.S. by the National Fireplace Institute® (NFI) as NFI Gas Specialists.

[www.nficertified.org](http://www.nficertified.org)

**Dealer Information**

Please record your dealer information here for future reference:

Dealer Name: \_\_\_\_\_

Dealer Address: \_\_\_\_\_

Dealer E-Mail: \_\_\_\_\_

Dealer Phone #: \_\_\_\_\_

<p>Minimum Clearances to Combustibles</p> <p>Fireplace to Adjacent Wall: 1" (26mm)</p> <p>Wood Floor Beneath Fireplace: 0" (0mm)</p> <p>Back to Enclosure: 0" (0mm)</p> <p>Top to Enclosure: 5.5" (140mm)</p> <p>Sides to Enclosure: 0" (0mm)</p> <p>Base of Fireplace to a Mantel: See Owner's Manual</p>	<p>Electrical Rating: 120V, 60 Hz., Less than 7.0 Amps</p> <p>DANGER Risk of Electric Shock. Disconnect power before servicing unit.</p> <p>Input Rate on -HR (BTU/HR): #56 #49</p> <p>Orifice Sizes - (DMS): #56 #49</p> <p>Minimum Inlet Pressure (inches W.C.): 13"</p> <p>Maximum Inlet Pressure (inches W.C.): 13"</p> <p>Manifold Pressure on -HR (inches W.C.): 10"</p> <p>Minimum Inlet Pressure (inches W.C.): 13"</p> <p>Maximum Inlet Pressure (inches W.C.): 13"</p> <p>Manifold Pressure on -HR (inches W.C.): 10"</p>
--	---

**DaVinci L.P.**

**DaVinci N.G.**

**Vented Gas Fireplace Heater**

Tested to: ANSI Z21.50-2014/CSA 2.22-2014 Gas-Fired Domestic and Commercial Heating Equipment "Vented Gas Fireplace"

This appliance must be installed in accordance with local codes, if any, if none, follow the National Fuel Gas Code, ANSI Z223.1/NFPA 54, or National Gas and Propane Installation Codes, CSA B149.1.

This appliance must be installed in accordance with the Standard for Manufactured Homes, CAN/CSA Z240 MH Series, or with the Manufactured Home Construction and Safety Standard, Title 24 CFR, Part 3280, or when such standard is not applicable, the Standard for Fire Safety Criteria for Manufactured Home Installations, Sites and Communities, NFPA 501A.

This vented gas fireplace heater is equipped at the factory for use with gas fuel marked above. No conversion is allowed.

This appliance is only for use with the type of gas indicated on the rating plate and may be installed in an aftermarket, permanently located, manufactured home (USA only) or mobile home, where not prohibited by local codes. See owner's manual for details. This appliance is not convertible for use with other gases, unless a certified kit is used.

This vented gas fireplace heater is not for use with air fillers.

Keep burner and control compartment clean. See installation and operating instructions accompanying appliance.

This appliance must be properly connected to a venting system in accordance with the manufacturer's installation instructions. See owner's manual for approved brands of venting.

**WARNING:** Improper installation, adjustment, alteration, service or maintenance can cause injury or property damage. Refer to the owner's information manual provided with this appliance. For assistance or additional information consult a qualified installer, service agency or the gas supplier.

**MANUFACTURE DATE:**

<input type="checkbox"/> 2014	<input type="checkbox"/> Jan.	<input type="checkbox"/> Apr.	<input type="checkbox"/> Jul.	<input type="checkbox"/> Oct.
<input type="checkbox"/> 2015	<input type="checkbox"/> Feb.	<input type="checkbox"/> May	<input type="checkbox"/> Aug.	<input type="checkbox"/> Nov.
<input type="checkbox"/> 2016	<input type="checkbox"/> Mar.	<input type="checkbox"/> Jun.	<input type="checkbox"/> Sep.	<input type="checkbox"/> Dec.

**WARNING:** Failure to install this appliance per the manufacturer's instructions or failure to use only parts specifically approved with this appliance may result in property damage or personal injury.

**CAUTION:** Do not operate this appliance with glass removed, cracked or broken. Replacement of the panel(s) should be done by a licensed or qualified service person.

**VENTED GAS FIREPLACE HEATER - NOT FOR USE WITH SOLID FUEL**

XXXX

Overview .....	2	Vent Clearances .....	41
Listing Details .....	2	Altitude Considerations .....	41
Installation Options .....	6	Approved Vent .....	41
BTU Specifications .....	6	Vent Installation .....	41
Decimal Conversions .....	6	Approved Vent Configurations .....	42
Dimensions – Single Sided or See Through Configurations	7	Maximum Vent Run and Rise .....	42
Horizontal Dimensions .....	7	Rheostat Adjustment .....	43
Dimensions – Pier Configuration .....	8	Restrictor Installation .....	43
Horizontal Dimensions .....	8	Termination Requirements .....	44
Dimensions – Island Configuration .....	9	Power Vent – Dimensions and Framing .....	45
Horizontal Dimensions .....	9	Power Exhaust Dimensions – Low Volume 94400903	45
Dimensions – Full Bay Configuration .....	10	Power Exhaust Dimensions – High Volume 94400904	46
Horizontal Dimensions .....	10	Framing For Exhaust Box .....	47
Dimensions – Right Side Configuration .....	11	Hearth Requirements .....	48
Horizontal Dimensions .....	11	Facing Requirements .....	48
Dimensions – Left Side Configuration .....	12	Do Not Drill or Screw Zone .....	49
Horizontal Dimensions .....	12	Mantel Requirements .....	49
Packing List .....	13	Fireback Installation .....	50
Recommended Installation Procedure .....	14	Fireback Quantity Needed – Category 1 Fireplaces	50
Massachusetts Requirements .....	15	Fireback Installation Order .....	50
Requirements for the Commonwealth of Massachusetts	15	Identifying the Firebacks .....	51
MANUFACTURER REQUIREMENTS .....	15	Installing the 12" Firebacks .....	52
Fireplace Placement Requirements .....	16	Installing the Bay Firebacks .....	52
Clearances .....	16	Installing the Divider and End Firebacks .....	53
Raised Fireplaces .....	16	Glass Pane Installation and Removal .....	54
Typical Framing Dims. – One Sided Configuration .....	17	Suction Cups .....	54
Minimum Framing Dimensions .....	17	When to Install the Glass Panes .....	54
Typical Framing Dims. – See Through Configuration .....	18	Overview of Glass Panes – Category 1 Fireplaces	54
Minimum Framing Dimensions .....	18	Attaching the Suction Cups to the Glass Panes	55
Typical Framing Dims. – Pier Configuration .....	19	Installing the Glass Panes Into the Fireplace	56
Minimum Framing Dimensions .....	19	Steps for Finalizing the Installation .....	57
Typical Framing Dims. – Island Configuration .....	20	Air Shutter Adjustment .....	57
Minimum Framing Dimensions .....	20	Crushed Glass Installation .....	58
Typical Framing Dims. – Full Bay Configuration .....	21	Placing Crushed Glass on the Burner and Center Media	58
Minimum Framing Dimensions .....	21	Trays .....	58
Typical Framing Dims – Right-Sided Corner .....	22	Placing Crushed Glass in the Intake Channel (Between	59
Minimum Framing Dimensions .....	22	Panels of Glass) - OPTIONAL .....	59
Typical Framing Dims – Left-Sided Corner .....	23	Wiring Diagram .....	60
Minimum Framing Dimensions .....	23	Before You Begin .....	61
Nailing Brackets .....	24	<b>Starting the Heater for the First Time</b> .....	61
Accessing Internal Components .....	25	Location of Controls .....	61
Internal Shut Off Valve Access .....	25	Fireplace On/Off Operation .....	61
Burner Removal .....	26	LED Operation .....	61
Gas Line Requirements .....	27	Yearly Service Procedure .....	62
Fuel .....	27	Glass Cleaning .....	62
Gas Line Connection .....	27	Replacement Parts .....	62
Gas Inlet Pressure .....	27	CONDITIONS & EXCLUSIONS .....	63
Directions for Connecting a Gas Pressure Test Gauge	27	IF WARRANTY SERVICE IS NEEDED: .....	63
Gas Inlet Location .....	28		
Electrical Input Connection .....	29		
Connecting the Power Exhaust Damper Harness to the			
Fireplace .....	30		
Connecting the Power Exhaust Lead to the Fireplace .....	31		
Wiring the Power Exhaust Assembly .....	32		
Wiring the Power Exhaust Assembly (continued) .....	33		
Connecting the On-Off LED Harness to the Fireplace .....	34		
Installing the On-Off Switch and LED Controller .....	35		
Air Intake Requirements .....	36		
Air Intake Ducts .....	36		
Intake Dampers .....	37		
Air intakes in Warm Environments .....	37		
Air Intake Installation – Horizontal with Termination .....	38		
Air Intake Installation (continued) .....	39		
Air Intake Dampers (for Hori. or Vert. Termination) .....	40		
Vent Requirements .....	41		

## ***Safety Warnings:***

- Failure to follow all of the requirements may result in property damage, bodily injury, or even death.

**Young children should be carefully supervised when they are in the same room as the appliance. Toddlers, young children and others may be susceptible to accidental contact burns. A physical barrier is recommended if there are at-risk individuals in the house. To restrict access to a fireplace or stove, install an adjustable safety gate to keep toddlers, young children and other at-risk individuals out of the room and away from hot surfaces.**

**Children and adults should be alerted to the hazards of high surface temperature and should stay away to avoid burns or clothing ignition. Do not touch the hot surfaces of the heater. Educate all children of the danger of a high-temperature heater.**

**Due to the high temperature, the heater should be located out of traffic and away from furniture and draperies.**

- This unit must be installed by a qualified installer to prevent the possibility of an explosion.
- This appliance must be installed in accordance with all local codes, if any; if not, in U.S.A. follow ANSI Z223.1 and NFPA 54(88), in Canada follow CSA B149.1.
- A manufactured home (USA only) or mobile home OEM installation must conform with the Manufactured Home Construction and Safety Standard, Title 24 CFR, Part 3280, or, when such a standard is not applicable, the Standard for Manufactured Home Installations, ANSI/NCSCBS A225.1, or Standard for Gas Equipped Recreational Vehicles and Mobile Housing, CSA Z240.4. This appliance may be installed in Manufactured Housing only after the home is site located.
- All exhaust gases must be vented outside the structure of the living-area. Combustion air is drawn from outside the living-area structure. The venting must not be connected to a chimney flue serving a separate solid-fuel burning appliance.
- Notify your insurance company before hooking up this fireplace.
- The instructions in this manual must be strictly adhered to. Do not use makeshift methods or compromise in the installation. Improper installation will void the warranty and safety listing.
- This heater is approved for use with natural gas (NG) or propane (LP). Burning the incorrect fuel will void the warranty and safety listing and may cause an extreme safety hazard. Direct questions about the type of fuel used to your dealer.
- Contact your local building officials to obtain a permit and information on any installation restrictions or inspection requirements in your area.
- If the flame becomes sooty, dark orange in color, or extremely tall, do not operate the heater. Call your dealer and arrange for proper servicing.
- It is imperative that control compartments, screens, or circulating air passageways of the heater be kept clean and free of obstructions. These areas provide the air necessary for safe operation.
- Do not operate the heater if it is not operating properly in any fashion or if you are uncertain. Call your dealer for a full explanation of your heater and what to expect.
- Do not store or use gasoline or other flammable liquids in the vicinity of this heater.
- Do not operate if any portion of the heater was submerged in water or if any corrosion occurs. Immediately call a qualified service technician to inspect the appliance and to replace any part of the control system and any gas control which has been under water.

**Safety Warnings (continued)**

- Because this heater can be controlled by a thermostat there is a possibility of the heater turning on and igniting any items placed on or near the appliance.
- Light the heater using the built-in igniter. Do not use matches or any other external device to light your heater.
- Never remove, replace, modify or substitute any part of the heater unless instructions are given in this manual. All other work must be done by a trained technician. Don't modify or replace orifices.
- The viewing glass should be opened only for conducting service.
- Allow the heater to cool before carrying out any maintenance or cleaning.
- Operate the heater according to the instructions included in this manual.
- If the main burners do not start correctly turn the gas off and call your dealer for service.
- This unit is not for use with solid fuel.
- Do not place anything inside the firebox (except the optional artwork).
- **Warning:** Do not operate appliance with the glass front removed, cracked or broken. Replacement of the glass should be done by a licensed or qualified service person.
- Do not throw this manual away. This manual has important operating and maintenance instructions that you will need at a later time. Always follow the instructions in this manual.
- Instruct everyone in the house how to shut gas off to the appliance and at the gas main shutoff valve. The gas main shutoff valve is usually next to the gas meter or propane tank and requires a wrench to shut off.
- Clothing or other flammable material should not be placed on or near the appliance.
- Any safety screen, guard, or barrier removed for servicing an appliance must be replaced prior to operating the appliance.
- Installation and repair should be done by a qualified service person. The appliance should be inspected before use and at least annually by a professional service person. More frequent cleaning might be required due to excessive lint from carpeting, bedding material, et cetera. It is imperative that control compartments, burners, and circulating air passageways of the appliance be kept clean.
- **Travis Industries, Inc. grants no warranty, implied or stated, for the installation or maintenance of your heater, and assumes no responsibility of any consequential damage(s).**

**Proposition 65 Warning:** Fuels used in gas, woodburning or oil fired appliances, and the products of combustion of such fuels, contain chemicals known to the State of California to cause cancer, birth defects and other reproductive harm.  
California Health & Safety Code Sec. 25249.6

**Installation Options**

- 
- Residential or Commercial Installations
  - Raised or Floor Placement
  - Internal or External Chase
  - Horizontal or Vertical Vent
  - Bedroom Approved

**BTU Specifications**


---

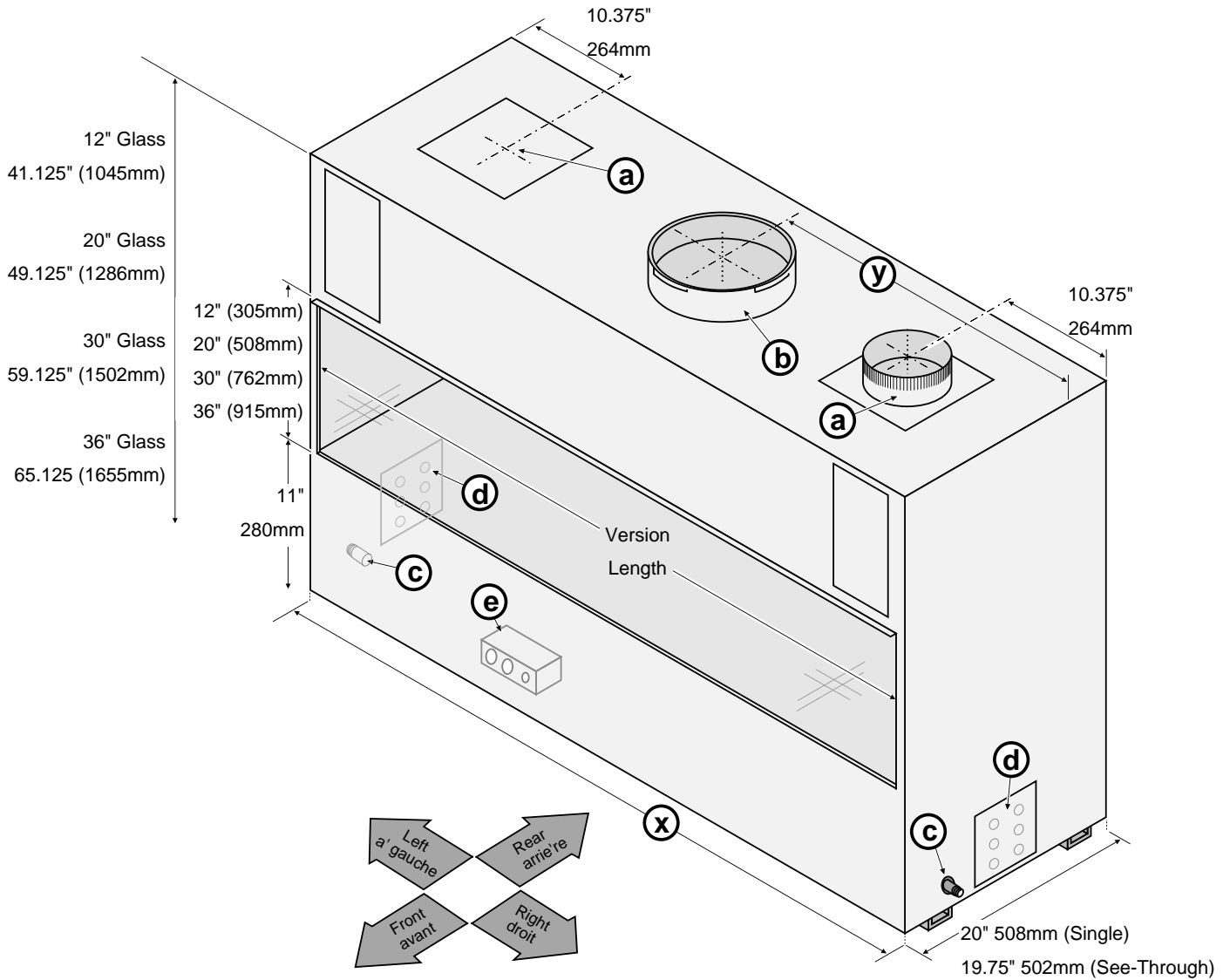
	<b>Natural Gas</b>	<b>Propane</b>
3' Burner - BTU Input Per Hour	43,500	43,500
4' Burner - BTU Input Per Hour	58,000	58,000
5' Burner - BTU Input Per Hour	72,500	72,500

**Decimal Conversions**


---

0.125"	1/8"
0.25"	1/4"
0.375"	3/8"
0.5"	1/2"
0.625"	5/8"
0.75"	3/4"
0.875"	7/8"

## Dimensions – Single Sided or See Through Configurations

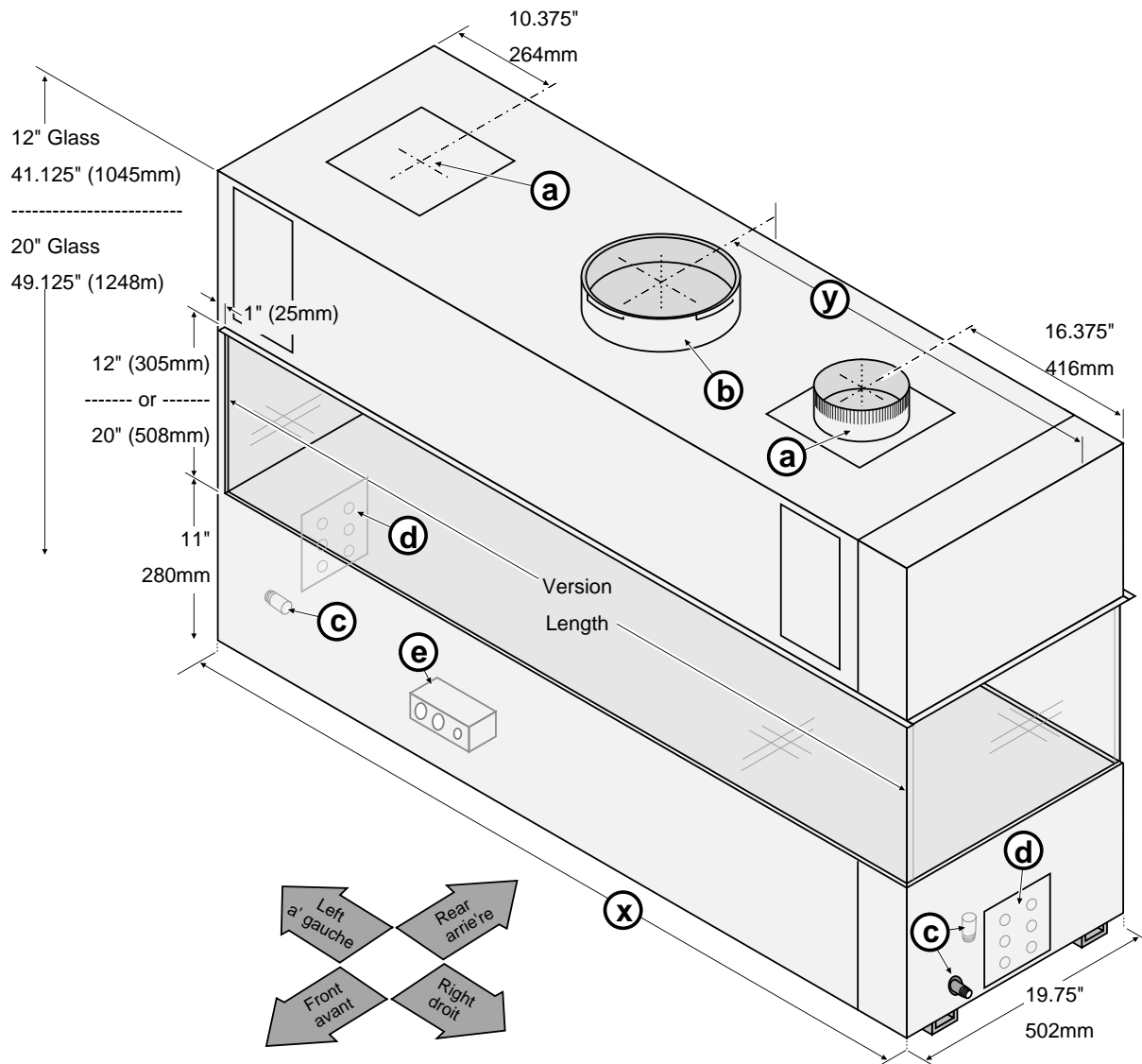


- (a) **Air Intake** - 6" Diameter, Centered on Fireplace, Left or Right Side (determined at time of order)
- (b) **Exhaust** - 10" or 8" Diameter B-Vent (determined by exhaust blower type), Centered on Fireplace
- (c) **Gas Inlet** – Location is determined at time of order (can be relocated)
- (d) **Electrical Junction Box** – On both sides (location determined at time of order – can be relocated), includes 120v input, exhaust vent power/harness, on-off LED harness
- (e) **Gas Control Valve**

### Horizontal Dimensions

Version	Overall Width (x)	Exhaust Location (y)	BTUs
36" Single Sided / See Through	38" (966mm)	19" (483mm)	43,500
48" Single Sided / See Through	50" (1270mm)	25" (635mm)	58,000
60" Single Sided / See Through	62" (1575mm)	31" (788mm)	72,500

### Dimensions – Pier Configuration



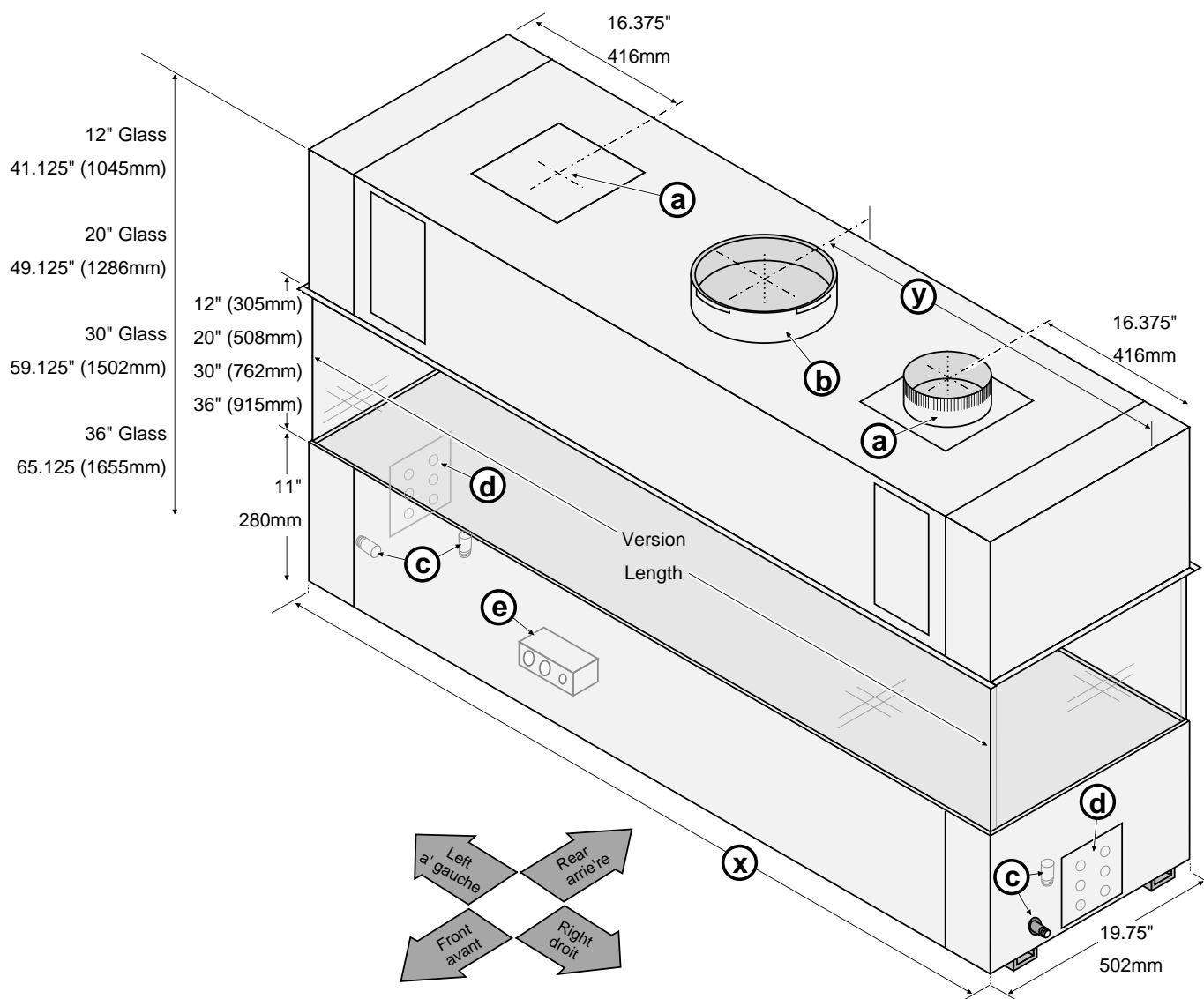
- (a) **Air Intake** - 6" Diameter, Centered on Fireplace, Left or Right Side (determined at time of order)
- (b) **Exhaust** - 10" or 8" Diameter B-Vent (determined by exhaust blower type), Centered on Fireplace
- (c) **Gas Inlet** – Location is determined at time of order (can be relocated)
- (d) **Electrical Junction Box** – On both sides (location determined at time of order – can be relocated), includes 120v input, exhaust vent power/harness, on-off LED harness
- (e) **Gas Control Valve**
- NOTE:** When using a 2-sided fireplace, the front is determined by the gas control valve (it is to the front).

### Horizontal Dimensions

Version	Overall Width (x)	Exhaust Location (y)	BTUs
42" Pier	43" (1093mm)	24" (610mm)	43,500
54" Pier	55" (1397mm)	30" (762mm)	58,000
66" Pier	67" (1702mm)	36" (915mm)	72,500



## Dimensions – Island Configuration

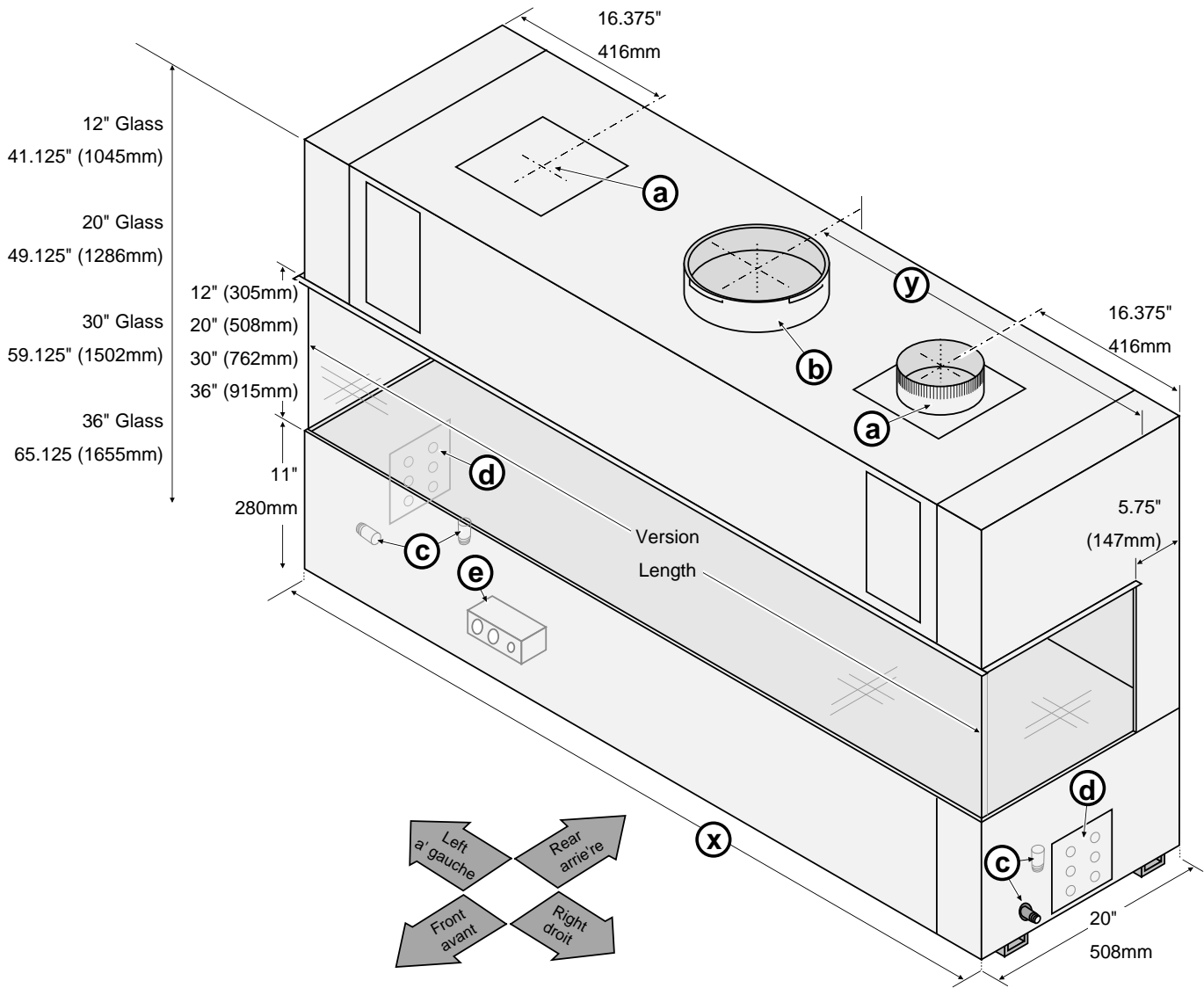


- (a) **Air Intake** - 6" Diameter, Centered on Fireplace, Left or Right Side (determined at time of order)
- (b) **Exhaust** - 10" or 8" Diameter B-Vent (determined by exhaust blower type), Centered on Fireplace
- (c) **Gas Inlet** – Location is determined at time of order (can be relocated)
- (d) **Electrical Junction Box** – On both sides (location determined at time of order – can be relocated), includes 120v input, exhaust vent power/harness, on-off LED harness  
**NOTE:** When using an island fireplace, the harnesses will need to be long (typically 50' to 150')
- (e) **Gas Control Valve**  
**NOTE:** When using a 2-sided fireplace, the front is determined by the gas control valve (it is to the front).

### Horizontal Dimensions

Version	Overall Width (x)	Exhaust Location (y)	BTUs
48" Island	48.125" (1223mm)	24" (610mm)	43,500
60" Island	60.125" (1528mm)	30" (762mm)	58,000
72" Island	72.125" (1832mm)	36" (915mm)	72,500

Dimensions – Full Bay Configuration

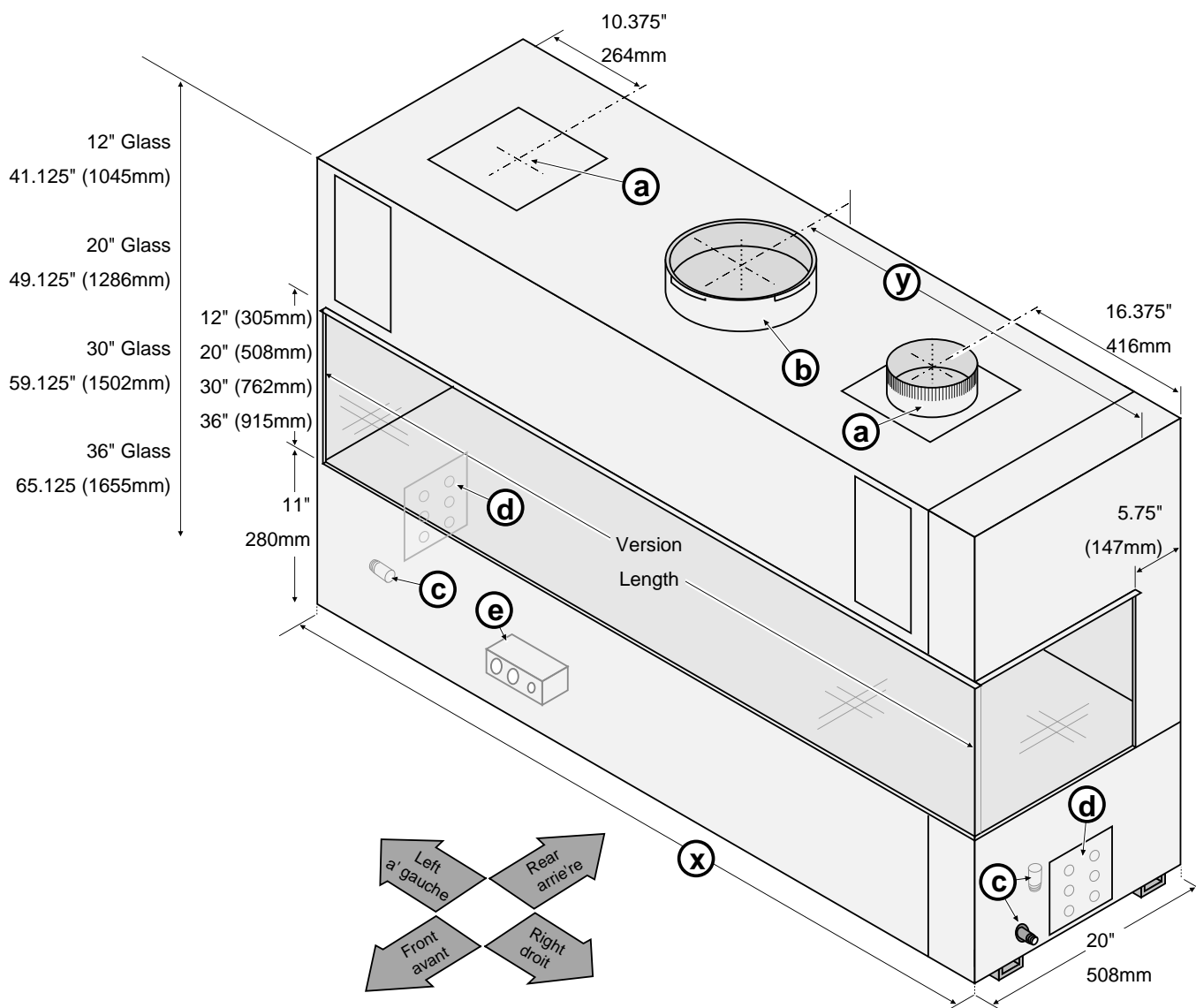


- (a) **Air Intake** - 6" Diameter, Centered on Fireplace, Left or Right Side (determined at time of order)
- (b) **Exhaust** - 10" or 8" Diameter B-Vent (determined by exhaust blower type), Centered on Fireplace
- (c) **Gas Inlet** – Location is determined at time of order (can be relocated)
- (d) **Electrical Junction Box** – On both sides (location determined at time of order – can be relocated), includes 120v input, exhaust vent power/harness, on-off LED harness
- (e) **Gas Control Valve**

Horizontal Dimensions

Version	Overall Width (x)	Exhaust Location (y)	BTUs
48" Full Bay	48.125" (1223mm)	24" (610mm)	43,500
60" Full Bay	60.125" (1528mm)	30" (762mm)	58,000
72" Full Bay	72.125" (1832mm)	36" (915mm)	72,500

## Dimensions – Right Side Configuration

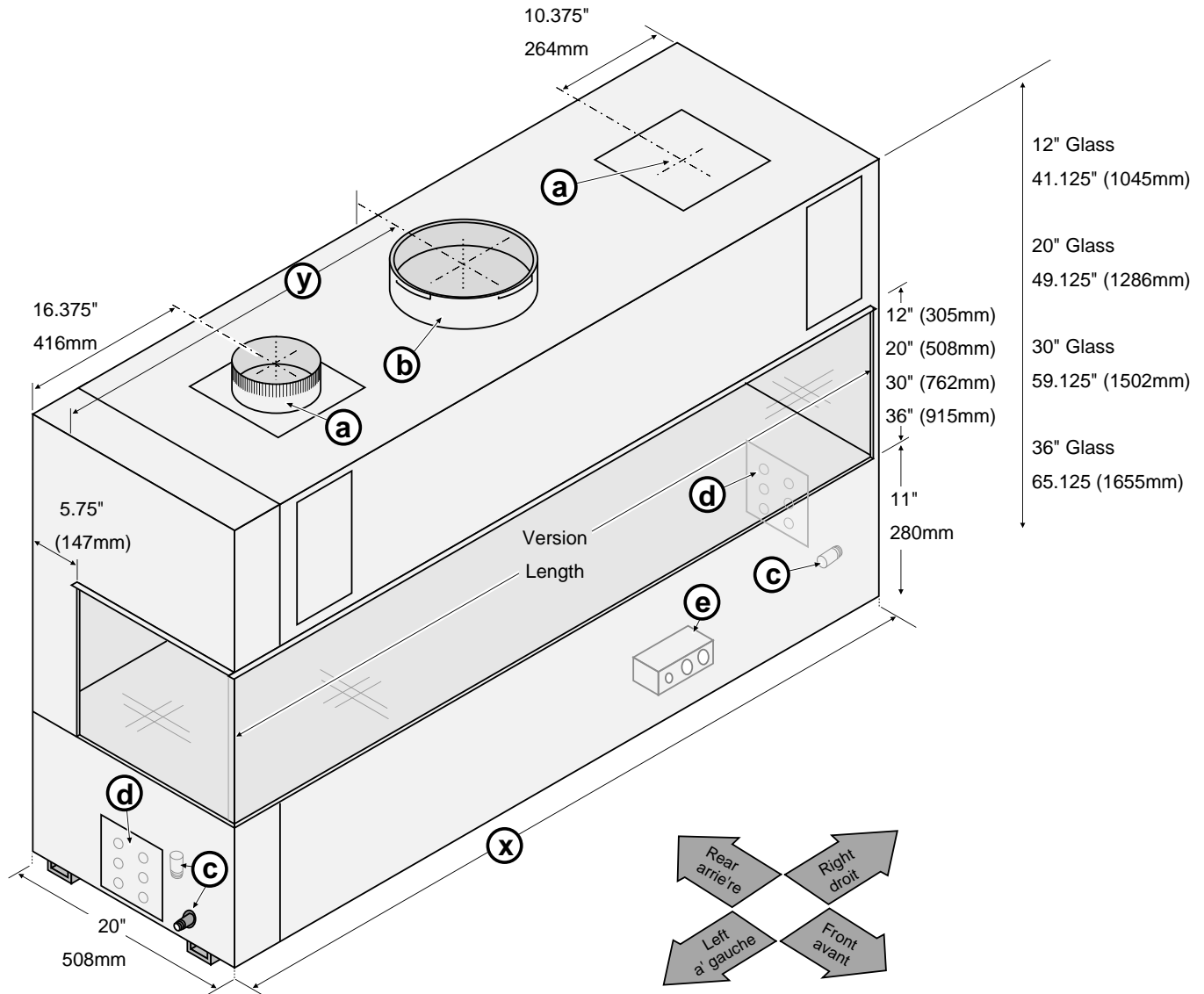


- (a) **Air Intake** - 6" Diameter, Centered on Fireplace, Left or Right Side (determined at time of order)
- (b) **Exhaust** - 10" or 8" Diameter B-Vent (determined by exhaust blower type), Centered on Fireplace
- (c) **Gas Inlet** – Location is determined at time of order (can be relocated)
- (d) **Electrical Junction Box** – On both sides (location determined at time of order – can be relocated), includes 120v input, exhaust vent power/harness, on-off LED harness
- (e) **Gas Control Valve**

### Horizontal Dimensions

Version	Overall Width (x)	Exhaust Location (y)	BTUs
42" Left or Right Side	43" (1093mm)	24" (610mm)	43,500
54" Left or Right Side	55" (1397mm)	30" (762mm)	58,000
66" Left or Right Side	67" (1702mm)	36" (915mm)	72,500

Dimensions – Left Side Configuration



- (a) **Air Intake** - 6" Diameter, Centered on Fireplace, Left or Right Side (determined at time of order)
- (b) **Exhaust** - 10" or 8" Diameter B-Vent (determined by exhaust blower type), Centered on Fireplace
- (c) **Gas Inlet** – Location is determined at time of order (can be relocated)
- (d) **Electrical Junction Box** – On both sides (location determined at time of order – can be relocated), includes 120v input, exhaust vent power/harness, on-off LED harness
- (e) **Gas Control Valve**

Horizontal Dimensions

Version	Overall Width (x)	Exhaust Location (y)	BTUs
42" Left or Right Side	43" (1093mm)	24" (610mm)	43,500
54" Left or Right Side	55" (1397mm)	30" (762mm)	58,000
66" Left or Right Side	67" (1702mm)	36" (915mm)	72,500

## Packing List

### Included Hardware (for Set & Vent)

ITEM	Qty	Location	Notes
Manual	1	You're looking at it baby!	
On-Off LED Harness (8 wires)	1	Hardware Box	10, 25, or 50 Length
On/Off Switch	1	Hardware Box	
LED Controller	1	Hardware Box	Labeled "Elemental LED"
Double-Gang Junction Box	1	Hardware Box	
Double-Gang Cover Plate	1	Hardware Box	
Exhaust Blower Assembly (B)	1	On its own pallet	Low Volume 94400903 (B) High Volume 94400904 (B)

### Additional Equipment Required (for Set & Vent)

ITEM	REQUIRED	WHERE SHIPPED	SKU
Suction Cups For Glass	Yes	Ordered separately	94400914 (includes 2 suction cups)
Fireback Liners (see "Firebacks" on page 50 for qty.)	Yes	In its own box	Gloss Black Enamel Silver Painted Matte Black Painted
Exhaust Damper Wiring Harness	Yes	?	50 Foot 94700887 150 Foot 94700888 250 Foot 94700889
10" B-Vent	Yes	In its own box(s)	36" Section 98900060 18" Section 98900061 90° Elbow 98900062 45° Elbow 98900063 12" Adjustable Section 98900064 Wall Strap 98900065 Fire Stop 98900066
Optional Intake Damper(s)	(A)	Hardware Box	Hori w Term 6" (98900093) Hori w Term 8" (98900094) Inline Dmpr 6" (98900078) Inline Dmpr 8" (98900079)
Air Intakes (6" or 8" Dia.)	(A)		
Intake Wiring Harness (if using intake damper)	(A)	Hardware Box	25' Length (Black and White Wire)

(A) Category 1 Fireplaces have 1 intake. Category 2 Fireplaces have up to 3 intakes. Refer to the configuration of your appliance to determine the number of intakes required.

(B) Category 1 Fireplaces use the smaller exhaust blower.  
Category 2 Fireplaces use the larger exhaust blower.

### Finalization Hardware (install after fireplace is in place – you may hold at dealership)

ITEM	Location	Notes
Crushed Glass	Hardware Box	Center Channel uses 1.5 Lbs. (cups) per foot Outer Channel uses 1 Lbs. (cups) per foot

***Recommended Installation Procedure*****Important Notes Regarding Framing**

**We strongly suggest framing around the fireplace after it is in place.** Because this fireplace is especially large and requires hookups from the side (or bottom), framing is best installed after the fireplace and vent are in place.. The header and framing above the fireplace is best installed after the vent is installed (this allows for proper framing placement to ensure all clearances are met).

1. Prepare the installation location. If placing the fireplace on a platform, build the platform, making sure to accommodate the weight of the fireplace and venting. Verify the platform is level and plumb.
2. Install the periphery components:
  - a) Install the power exhaust vent (and power exhaust blower assembly).
  - b) Install the air intake(s).
  - c) Install the gas line.
  - d) Install the electrical line, on/off switch, and LED controller.
3. Test operation of the fireplace before attaching facing or drywall (this can be done with no crushed glass and the outer glass panes removed). This allows the installer to verify all connections and diagnose issues with the fireplace exterior accessible.
4. Frame the area around the fireplace.
5. Install the drywall and/or facing.
6. Install the hearth (if applicable).
7. Install the mantel (if applicable).
8. Finalize the installation (see page 57).

## Massachusetts Requirements

NOTE: The following requirements reference various Massachusetts and national codes not contained in this document.

### Requirements for the Commonwealth of Massachusetts

For all side wall horizontally vented gas fueled equipment installed in every dwelling, building or structure used in whole or in part for residential purposes, including those owned or operated by the Commonwealth and where the side wall exhaust vent termination is less than seven (7) feet above finished grade in the area of the venting, including but not limited to decks and porches, the following requirements shall be satisfied:

#### Installation of Carbon Monoxide Detectors

At the time of installation of the side wall horizontal vented gas fueled equipment, the installing plumber or gasfitter shall observe that a hard wired carbon monoxide detector with an alarm and battery back-up is installed on the floor level where the gas equipment is to be installed. In addition, the installing plumber or gasfitter shall observe that a battery operated or hard wired carbon monoxide detector with an alarm is installed on each additional level of the dwelling, building or structure served by the side wall horizontal vented gas fueled equipment. It shall be the responsibility of the property owner to secure the services of qualified licensed professionals for the installation of hard wired carbon monoxide detectors.

In the event that the side wall horizontally vented gas fueled equipment is installed in a crawl space or an attic, the hard wired carbon monoxide detector with alarm and battery back-up may be installed on the next adjacent floor level.

In the event that the requirements of this subdivision can not be met at the time of completion of installation, the owner shall have a period of thirty (30) days to comply with the above requirements; provided, however, that during said thirty (30) day period, a battery operated carbon monoxide detector with an alarm shall be installed.

#### Approved Carbon Monoxide Detectors

Each carbon monoxide detector as required in accordance with the above provisions shall comply with NFPA 720 and be ANSI/UL 2034 listed and IAS certified.

#### Signage

A metal or plastic identification plate shall be permanently mounted to the exterior of the building at a minimum height of eight (8) feet above grade directly in line with the exhaust vent terminal for the horizontally vented gas fueled heating appliance or equipment. The sign shall read, in print size no less than one-half (1/2) inch in size, "GAS VENT DIRECTLY BELOW. KEEP CLEAR OF ALL OBSTRUCTIONS".

#### Inspection

The state or local gas inspector of the side wall horizontally vented gas fueled equipment shall not approve the installation unless, upon inspection, the inspector observes carbon monoxide detectors and signage installed in accordance with the provisions of 248 CMR 5.08(2)(a)1 through 4.

#### Exemptions

The following equipment is exempt from 248 CMR 5.08(2)(a)1 through 4:

- The equipment listed in Chapter 10 entitled "Equipment Not Required To Be Vented" in the most current edition of NFPA 54 as adopted by the Board; and
- Product Approved side wall horizontally vented gas fueled equipment installed in a room or structure separate from the dwelling, building or structure used in whole or in part for residential purposes.

## MANUFACTURER REQUIREMENTS

### Gas Equipment Venting System Provided

When the manufacturer of Product Approved side wall horizontally vented gas equipment provides a venting system design or venting system components with the equipment, the instructions provided by the manufacturer for installation of the equipment and the venting system shall include:

- Detailed instructions for the installation of the venting system design or the venting system components; and
- A complete parts list for the venting system design or venting system.

### Gas Equipment Venting System NOT Provided

When the manufacturer of a Product Approved side wall horizontally vented gas fueled equipment does not provide the parts for venting the flue gases, but identifies "special venting systems", the following requirements shall be satisfied by the manufacturer:

- The referenced "special venting system" instructions shall be included with the appliance or equipment installation instructions; and
- The "special venting systems" shall be Product Approved by the Board, and the instructions for that system shall include a parts list and detailed installation instructions.

A copy of all installation instructions for all Product Approved side wall horizontally vented gas fueled equipment, all venting instructions, all parts lists for venting instructions, and/or all venting design instructions shall remain with the appliance or equipment at the completion of the installation.

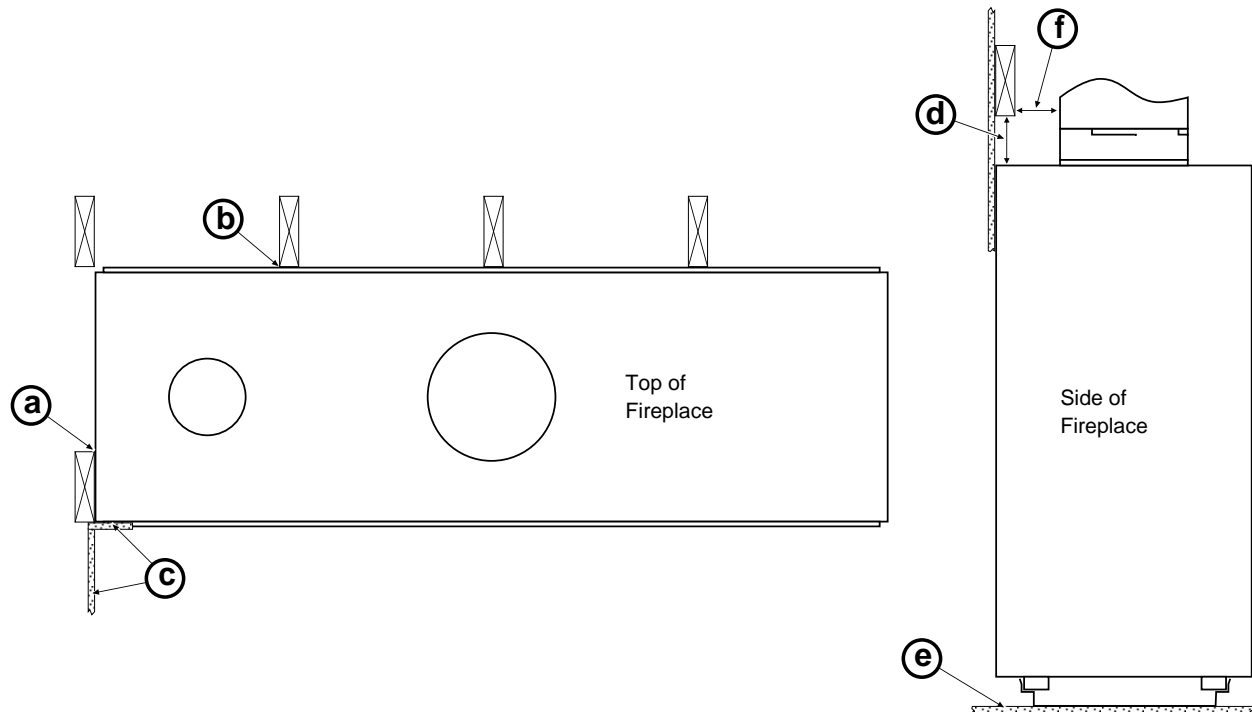
See Gas Connection section for additional Commonwealth of Massachusetts requirements.

## Fireplace Placement Requirements

- This appliance may be installed into a residential or commercial/public space.
- Fireplace must be installed on a level surface capable of supporting the fireplace and vent.
- Fireplace must be placed directly on wood or non-combustible surface (not on linoleum or carpet).
- Fireplace should be located out of traffic and away from furniture and draperies.
- Fireplace may be placed in a bedroom.

### Clearances

- (a) Clearance to Sides of Fireplace: 0"
- (b) Clearance to Back of Fireplace: 0"
- (c) Clearance to Front of Fireplace: 0"
- NOTE: do not cover the glass opening with any material.
- NOTE: Side walls may be placed directly to the side of the fireplace.
- (d) Clearance to Top of Fireplace: 0"
- (e) Clearance to Bottom of Fireplace: 0" (may be placed directly on subfloor).
- (f) Clearance to Vent 1" (25mm)



### Raised Fireplaces

- The fireplace (and hearth, if desired) may be placed on a platform designed to support the fireplace and vent.
- The base of the platform must be a minimum  $\frac{3}{4}$ " plywood (or equivalent). This provides the necessary support for the fireplace runners.

**HINT:** We typically have displayed this fireplace on a 24" to 36" raised platform. Keep in mind that the firebox opening (base of the flames) is 12" above the base. Desired position may vary depending upon room size, typical viewing angle, and aesthetic intent.

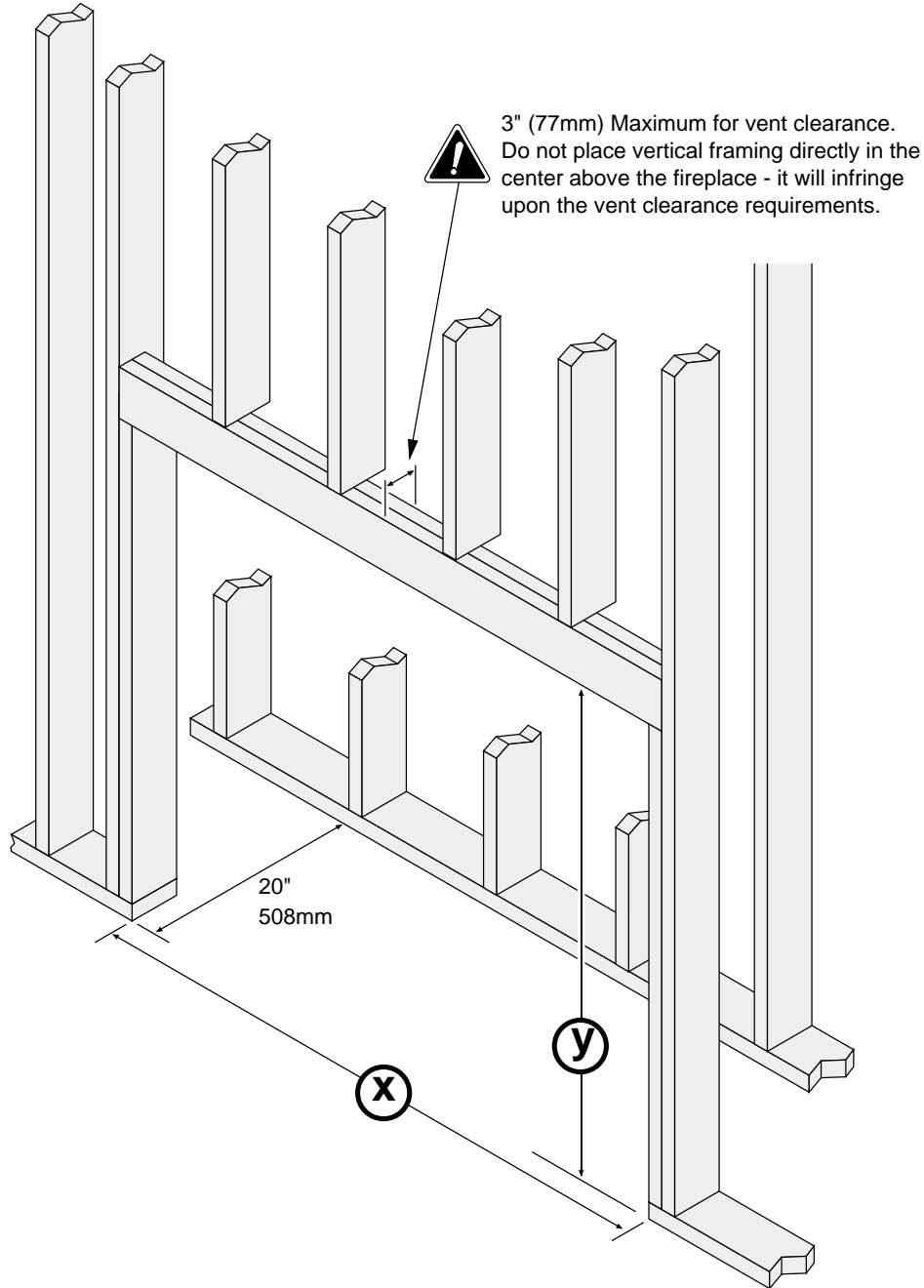


**Typical Framing Dims. – One Sided Configuration**



**Important Notes Regarding Framing**

We strongly suggest framing around the fireplace after it is in place. If you do frame before fireplace placement, add 6" to each side to allow for fireplace access.



**Minimum Framing Dimensions**

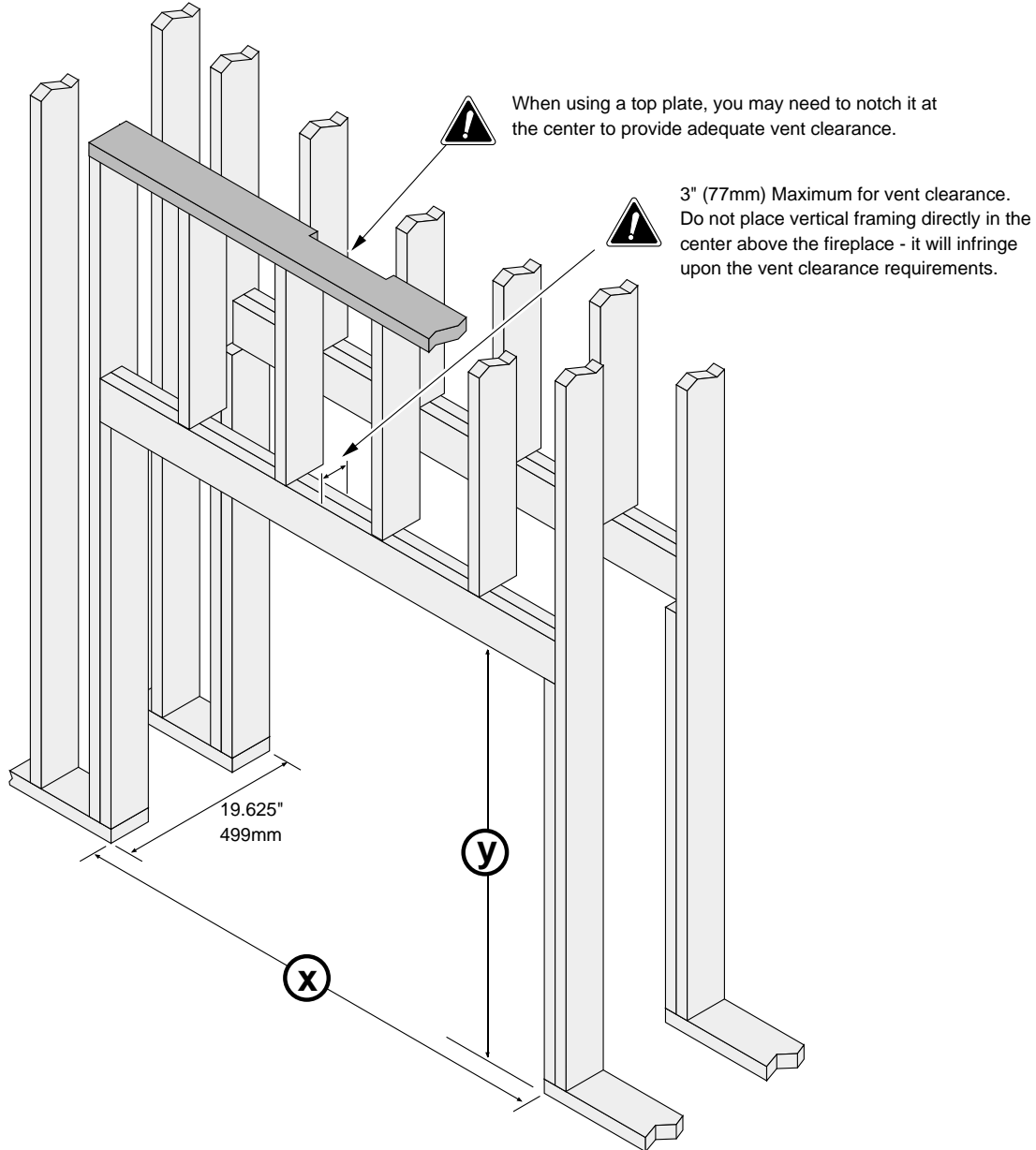
Version	Width (x)	Height (y) – 12" Glass	Height (y) – 20" Glass	Height (y) – 30" Glass	Height (y) – 36" Glass
36" Single Sided	38.5" (978mm)	46.625" (1185mm)	54.625" (1388mm)	64.625" (1642mm)	70.625" (1794mm)
48" Single Sided	50.5" (1283mm)				
60" Single Sided	62.5" (1588mm)				

**Typical Framing Dims. – See Through Configuration**



**Important Notes Regarding Framing**

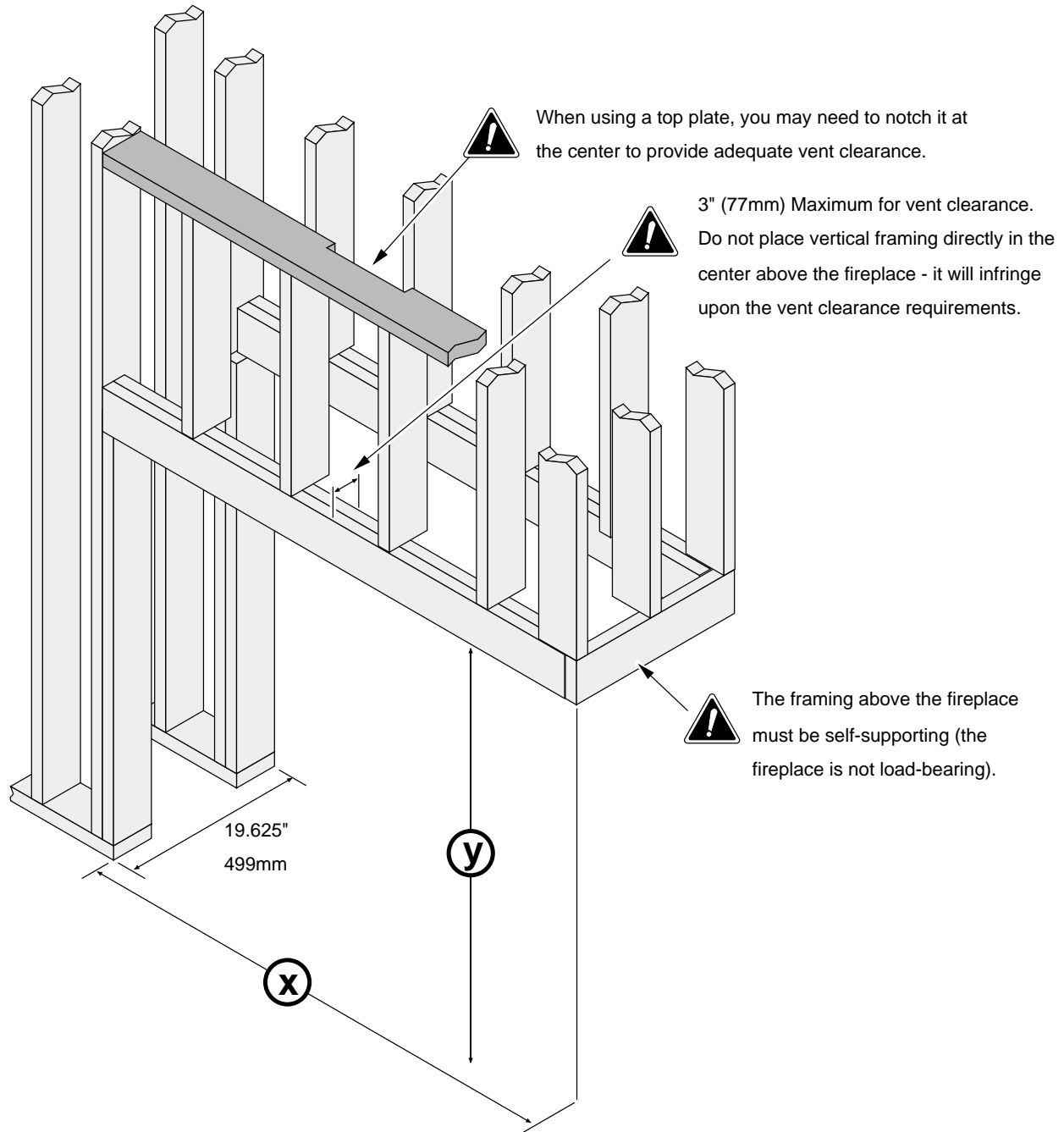
We strongly suggest framing around the fireplace after it is in place. If you do frame before fireplace placement, add 6" to each side to allow for fireplace access.



**Minimum Framing Dimensions**

Version	Width (x)	Height (y) – 12" Glass	Height (y) – 20" Glass	Height (y) – 30" Glass	Height (y) – 36" Glass
36" See Through	38.5" (978mm)	46.625" (1185mm)	54.625" (1388mm)	64.625" (1642mm)	70.625" (1794mm)
48" See Through	50.5" (1283mm)				
60" See Through	62.5" (1588mm)				

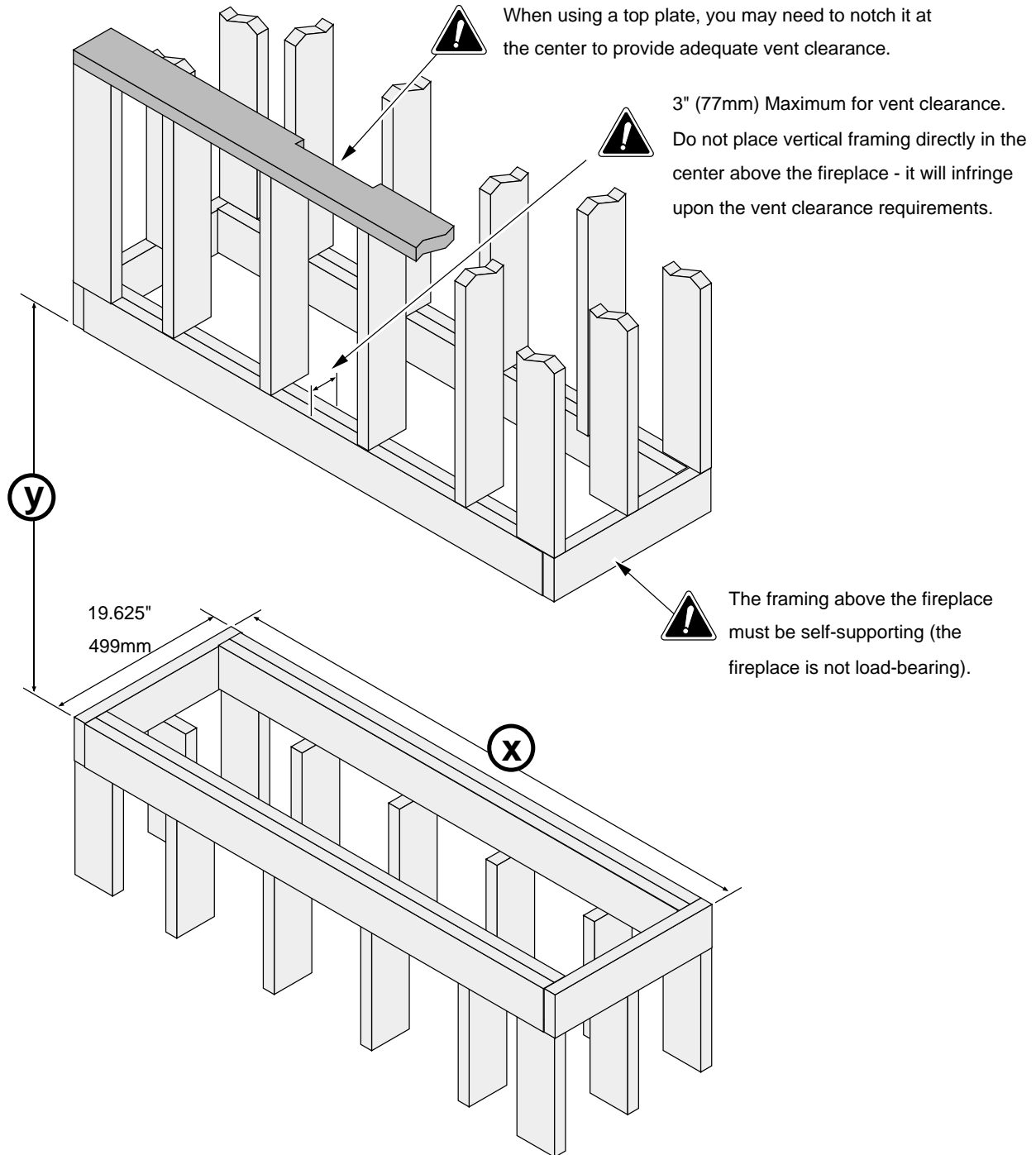
**Typical Framing Dims. – Pier Configuration**



**Minimum Framing Dimensions**

Version	Width (x)	Height (y) – 12" Glass	Height (y) – 20" Glass	Height (y) – 30" Glass	Height (y) – 36" Glass
42" Pier	43.5" (1105mm)	46.625" (1185mm)	54.625" (1388mm)	64.625" (1642mm)	70.625" (1794mm)
54" Pier	55.5" (1410mm)				
66" Pier	67.5" (1715mm)				

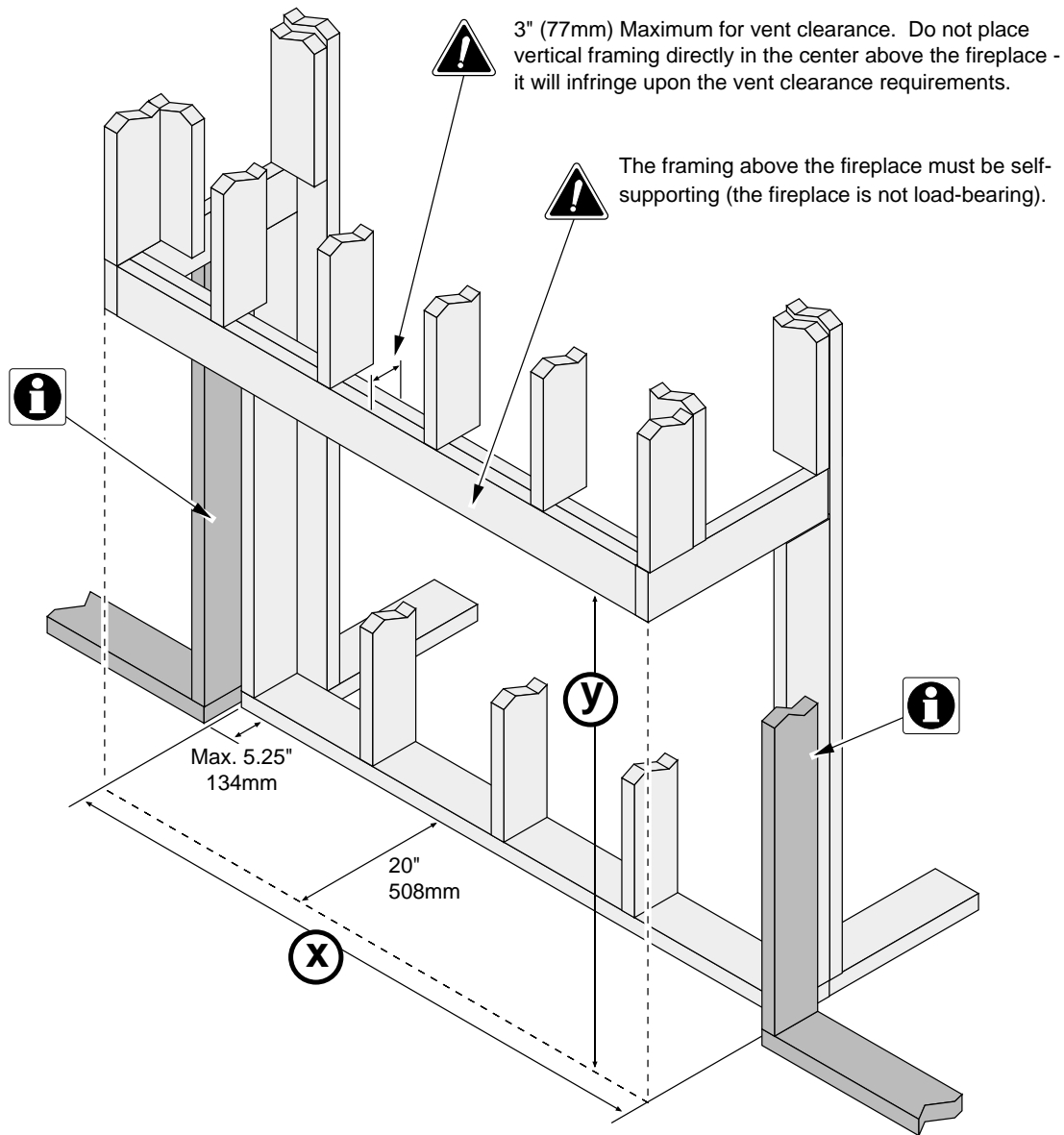
**Typical Framing Dims. – Island Configuration**



**Minimum Framing Dimensions**

Version	Width (x)	Height (y) – 12" Glass	Height (y) – 20" Glass	Height (y) – 30" Glass	Height (y) – 36" Glass
48" Island	48.125" (1223mm)	46.625" (1185mm)	54.625" (1388mm)	64.625" (1642mm)	70.625" (1794mm)
60" Island	60.125" (1528mm)				
72" Island	72.125" (1832mm)				

**Typical Framing Dims. – Full Bay Configuration**



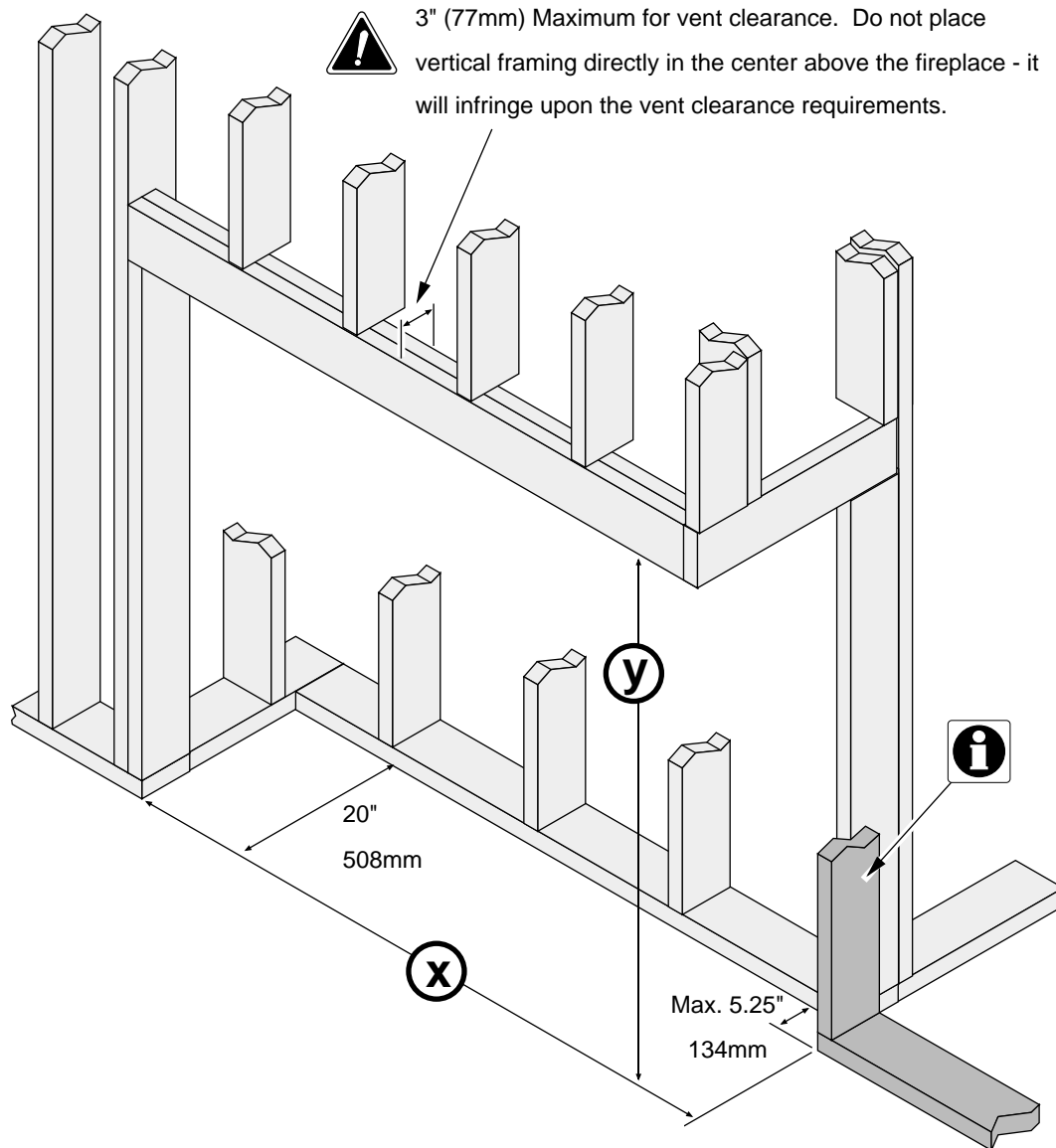
**Recessing the Back Edge of the Fireplace (Optional)**

Installers may wish to recess the back of the fireplace to allow for a more shallow installation, placing the side glass next to the side wall(s). If you decide to recess the back of the fireplace, make sure to accommodate the framing and facing dimensions. The back edge of the glass extends to a location 5.75" (147mm) from the back of the fireplace (see dimensions page for details). Framing for this type of installation may protrude forward from the back wall of the opening a maximum of 5.25" (134mm) when using ½" (13mm) drywall. Consult the dimensions page and plan your installation prior to framing the opening.

**Minimum Framing Dimensions**

Version	Width (x)	Height (y) – 12" Glass	Height (y) – 20" Glass	Height (y) – 30" Glass	Height (y) – 36" Glass
48" Full Bay	48.125" (1223mm)	46.625" (1185mm)	54.625" (1388mm)	64.625" (1642mm)	70.625" (1794mm)
60" Full Bay	60.125" (1528mm)				
72" Full Bay	72.125" (1832mm)				

Typical Framing Dims – Right-Sided Corner



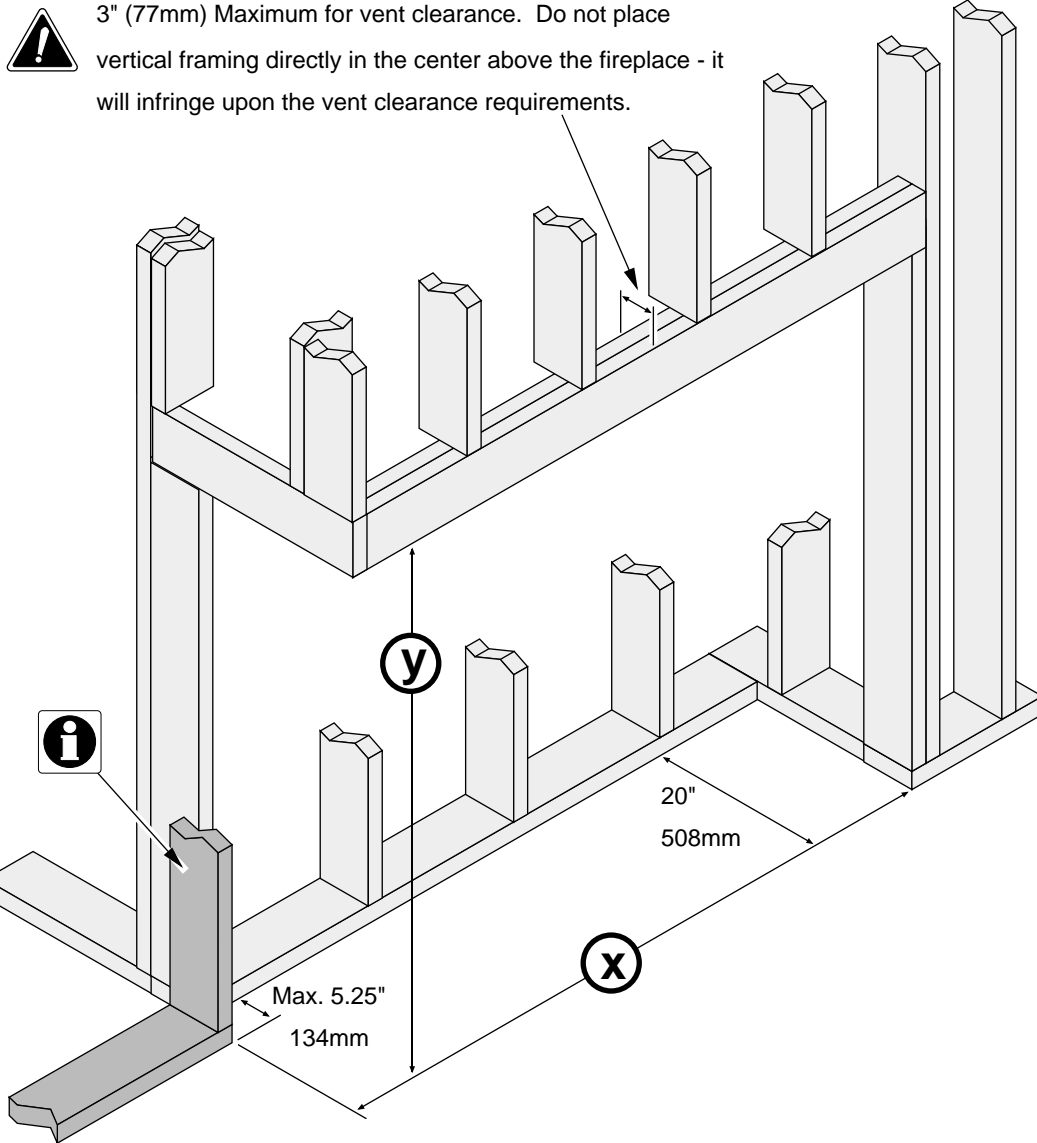
Recessing the Back Edge of the Fireplace (Optional)

Installers may wish to recess the back of the fireplace to allow for a more shallow installation, placing the side glass next to the side wall(s). If you decide to recess the back of the fireplace, make sure to accommodate the framing and facing dimensions. The back edge of the glass extends to a location 5.75" (147mm) from the back of the fireplace (see dimensions page for details). Framing for this type of installation may protrude forward from the back wall of the opening a maximum of 5.25" (134mm) when using 1/2" (13mm) drywall. Consult the dimensions page and plan your installation prior to framing the opening.

Minimum Framing Dimensions

Version	Width (x)	Height (y) – 12" Glass	Height (y) – 20" Glass	Height (y) – 30" Glass	Height (y) – 36" Glass
42" Right Corner	43.5" (1105mm)	46.625" (1185mm)	54.625" (1388mm)	64.625" (1642mm)	70.625" (1794mm)
54" Right Corner	55.5" (1410mm)				
66" Right Corner	67.5" (1715mm)				

**Typical Framing Dims – Left-Sided Corner**



**!** 3" (77mm) Maximum for vent clearance. Do not place vertical framing directly in the center above the fireplace - it will infringe upon the vent clearance requirements.

***i* Recessing the Back Edge of the Fireplace (Optional)**

Installers may wish to recess the back of the fireplace to allow for a more shallow installation, placing the side glass next to the side wall(s). If you decide to recess the back of the fireplace, make sure to accommodate the framing and facing dimensions. The back edge of the glass extends to a location 5.75" (147mm) from the back of the fireplace (see dimensions page for details). Framing for this type of installation may protrude forward from the back wall of the opening a maximum of 5.25" (134mm) when using 1/2" (13mm) drywall. Consult the dimensions page and plan your installation prior to framing the opening.

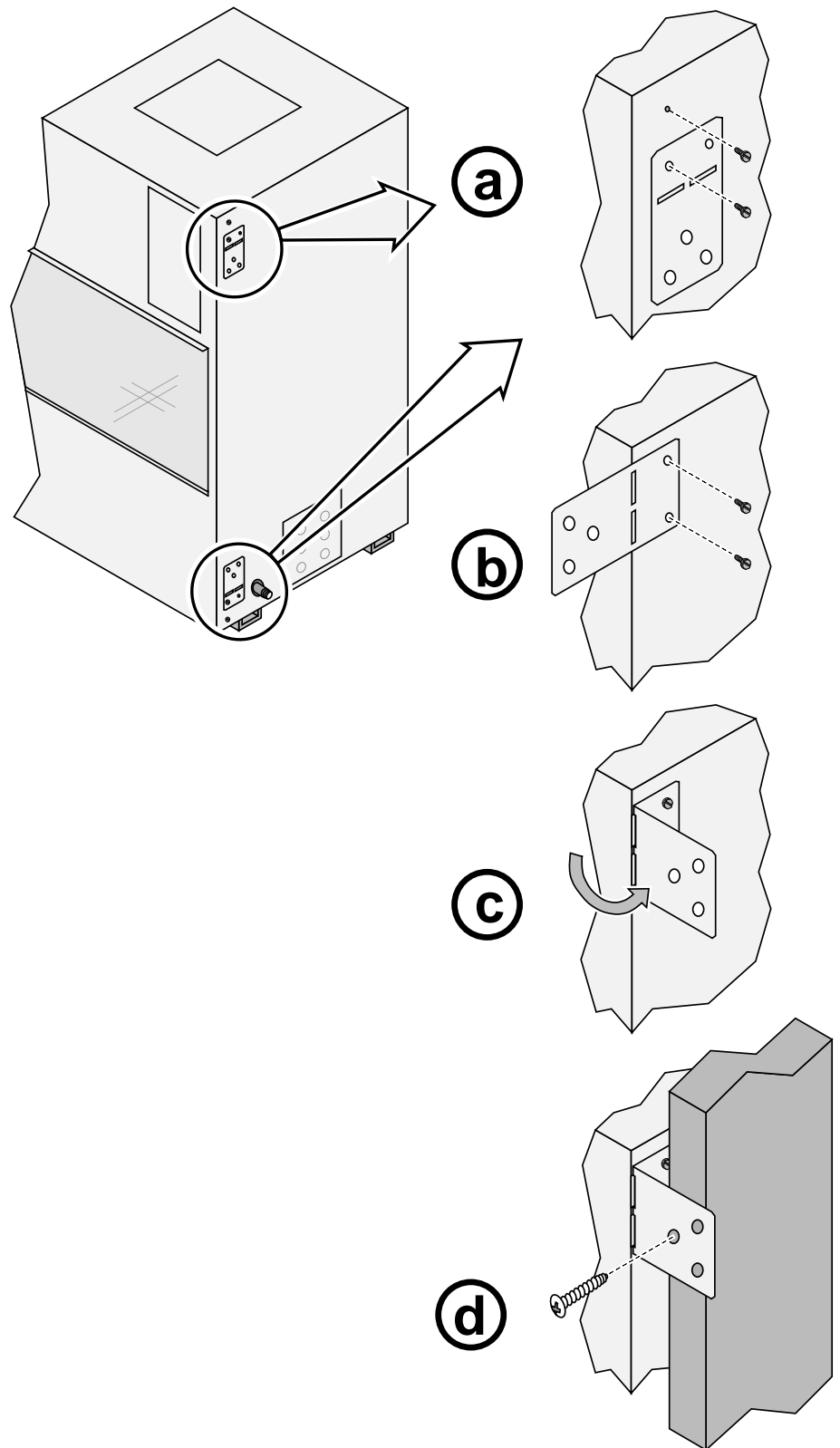
**Minimum Framing Dimensions**

Version	Width (x)	Height (y) – 12" Glass	Height (y) – 20" Glass	Height (y) – 30" Glass	Height (y) – 36" Glass
42" Left Corner	43.5" (1105mm)	46.625" (1185mm)	54.625" (1388mm)	64.625" (1642mm)	70.625" (1794mm)
54" Left Corner	55.5" (1410mm)				
66" Left Corner	67.5" (1715mm)				

### Nailing Brackets

The fireplace has nailing brackets on to secure the fireplace to the framing (each configuration has a different number – the see through has 4, the island has 0). These brackets are shipped flat against the side of the fireplace (see “a” below). Remove the 2 mounting screws, position the bracket, and secure it as shown to the right (“a” and “b”). After the fireplace is in place, bend the bracket back (see “c”) and secure it to the framing with screws (see “d”).

**NOTE:** Make sure the fireplace is square and plumb when placed in the framing. Measured corner-to-corner the fireplace should be square. Use shims to insure the fireplace is square and plumb.





## Accessing Internal Components

Most internal components can be accessed by removing the front glass pane and intake air channel media tray (see instructions below). If more extensive access is required, see "burner removal" on the following page.

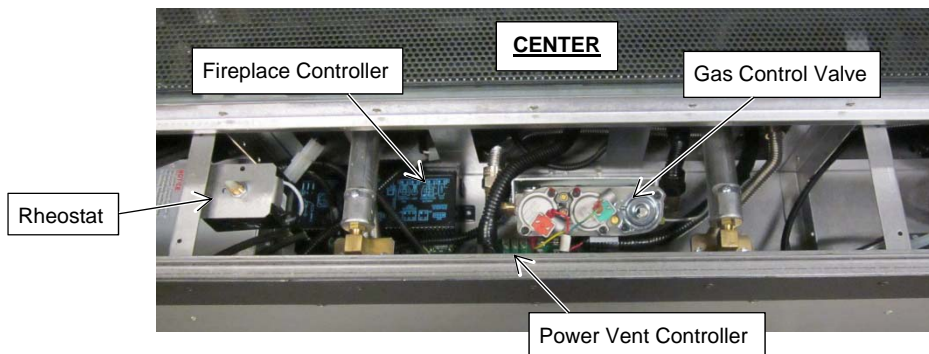
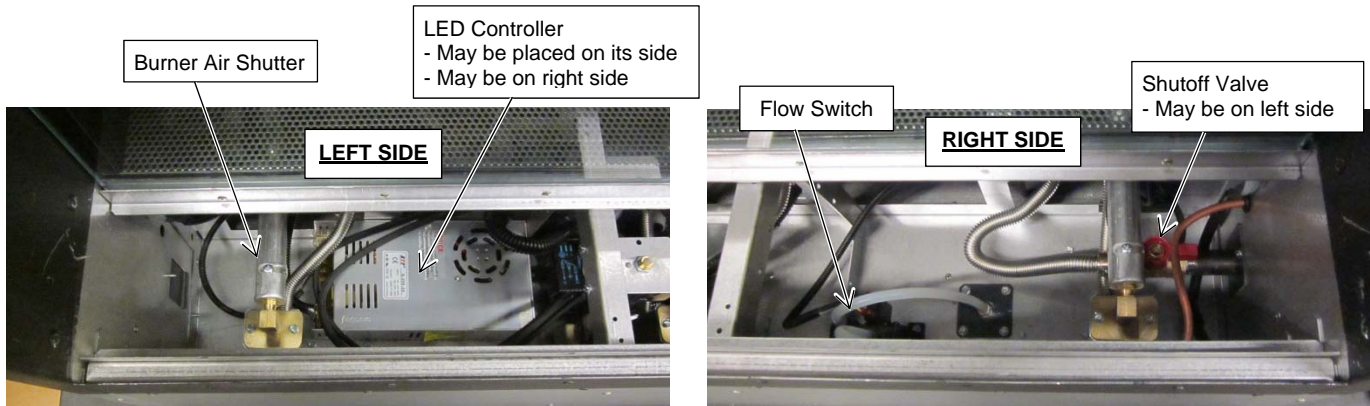


- Turn off gas to the fireplace prior to accessing internal components to prevent accidental ignition.
- Shut off electricity to the fireplace to protect internal circuits.

Remove the front outer glass pane (see page 54). Remove the intake air channel media tray.



At this point most of the internal components may be accessed (see descriptions below).



### Internal Shut Off Valve Access

The internal shutoff is accessed following the directions above. The valve is positioned near the gas inlet (left, right, or bottom).

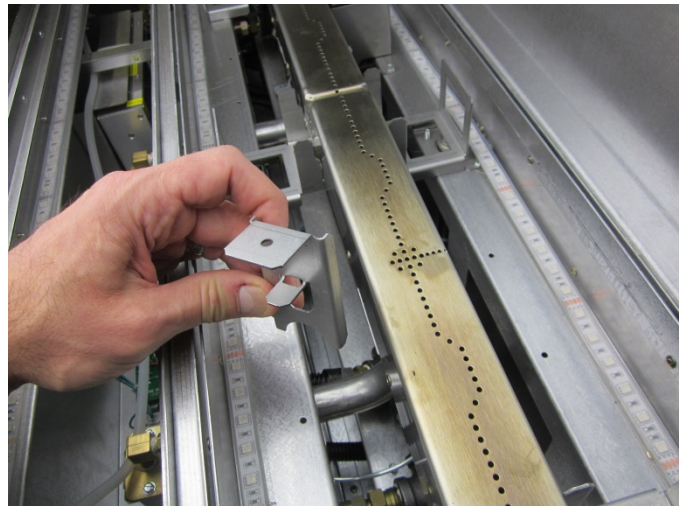
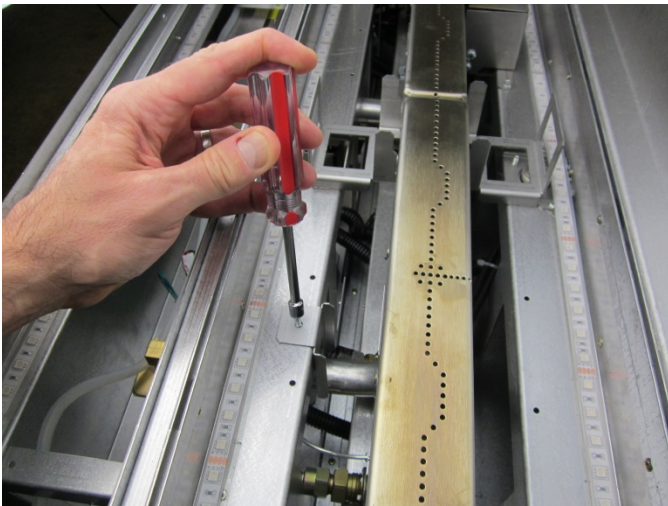
**NOTE:** The shut off valve must be closed while pressure testing the gas line leading to the fireplace.

**Burner Removal**

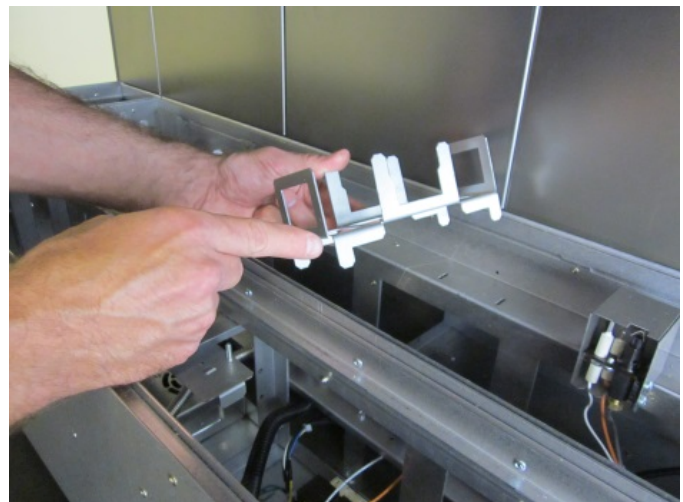
Follow the directions on the previous page for accessing internal components. Next, Remove the front inner glass pane (see page 54). Remove the media trays next to the burners (NOTE: The trays have a notch that must face the burner when re-installed).



Remove the burner lock-down bracket (it is held in place with a single screw).



Lift the burner up and out of the fireplace. Remove the burner supports.



## Gas Line Requirements



**MAKE SURE YOU ARE SUPPLYING AN ADEQUATE SUPPLY OF GAS (NG OR LP)**

This fireplace, depending upon configuration, consumes a large amount of BTUs. Make sure your gas line is properly sized to provide an adequate supply of gas.

**MASSACHUSETTS INSTALLATIONS - WARNING:**

THIS PRODUCT MUST BE INSTALLED BY A LICENSED PLUMBER OR GAS FITTER WHEN INSTALLED WITHIN THE COMMONWEALTH OF MASSACHUSETTS.

**OTHER MASSACHUSETTS CODE REQUIREMENTS:**

- Flexible connector must not be longer than 36 inches.
- Shutoff valve must be a "T" handle gas cock.
- Only direct vent sealed combustion products are approved for bedrooms or bathrooms.
- Fireplace dampers must be removed or welded in the open position prior to the installation of a fireplace insert or gas log.
- A carbon monoxide (CO) detector is required in the same room as the appliance.
- The gas line must be installed in accordance with all local codes, if any; if not, follow ANSI 223.1 and the requirements listed below.
- The fireplace and gas control valve must be disconnected from the gas supply piping during any pressure testing of that system at test pressures in excess of 1/2 psig (3.5 kPA). For pressures under 1/2 psig (3.5 kPA), isolate the gas supply piping by closing the manual shutoff valve.
- Leak test all gas line joints and the gas control valve prior to and after starting the fireplace.
- The fireplace has an internal shutoff valve. An additional shutoff valve is required. It must be accessible and within 6' of the fireplace.

### Fuel

- This fireplace is designed either for natural gas or for propane (but not for both).

### Gas Line Connection

- Installation must be performed by a qualified installer, service agency or the gas supplier (In Massachusetts a licensed plumber/gasfitter).

### Gas Inlet Pressure

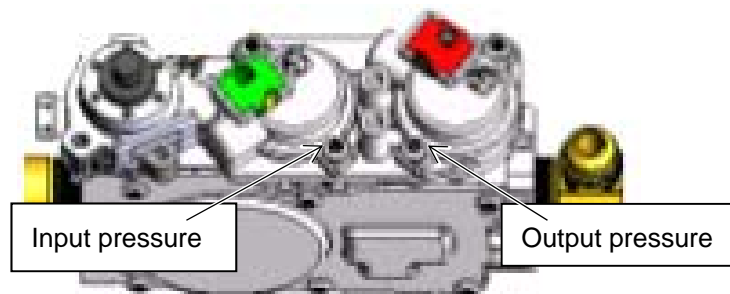
	Maximum Input Pressure	Minimum Input Pressure
Natural Gas	7" W.C. (1.74 kPA)	5.5" W.C. (1.37 kPA)
Propane	13" W.C. (3.23 kPA)	11" W.C. (2.74 kPA)

- If the pressure is not sufficient, make sure the piping used is large enough, the supply regulator is adequately adjusted, and the total gas load for the residence does not exceed the amount supplied.
- The supply regulator (the regulator that attaches directly to the residence inlet or to the propane tank) should supply gas at the input pressure listed above. Contact the local gas supplier if the regulator is at an improper pressure.

### Directions for Connecting a Gas Pressure Test Gauge

The gas control valve (shown to the left) has two accessible ports for testing line pressure and output pressure. Loosen the brass screw on either test port and place a 5/16" i.d. rubber or plastic tubing over the tapered test port. Connect the tubing to the test gauge.

**WARNING:** The brass screw must be tightened after testing to prevent gas leakage.

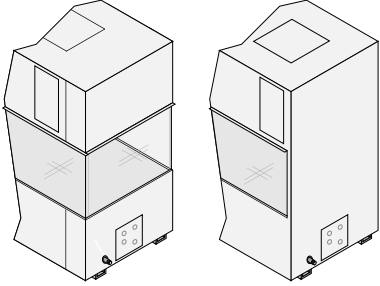
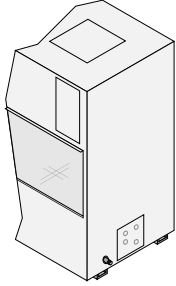




**Gas Inlet Location**

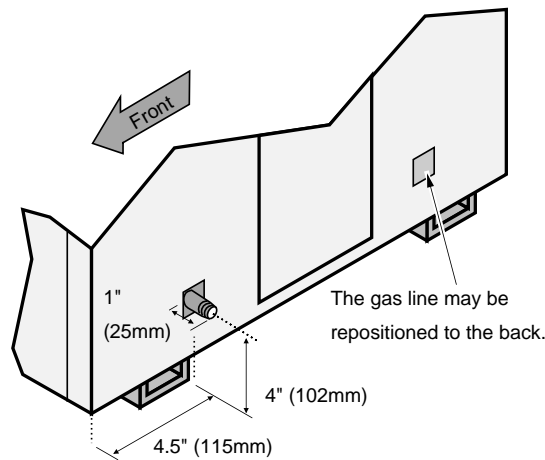
Gas inlet is determined by fireplace configuration and how the fireplace was ordered. Refer to the dimensions pages for the configuration being used to determine what options are available (pages 7 through 12). When ordering the fireplace, the gas inlet is either from the side (left or right) or from the base (left or right).

Gas inlet dimensions are shown below. Make sure to refer to the end style being used.

Type of Fireplace	Type of Ends	Glass End	Steel End
1-Sided	Two Steel Ends		
See Through	Two Steel Ends		
Pier	One Steel, One Glass End		
Full Bay	Two Glass Ends		
Island	Two Glass Ends		

**Gas Inlet – Steel End**

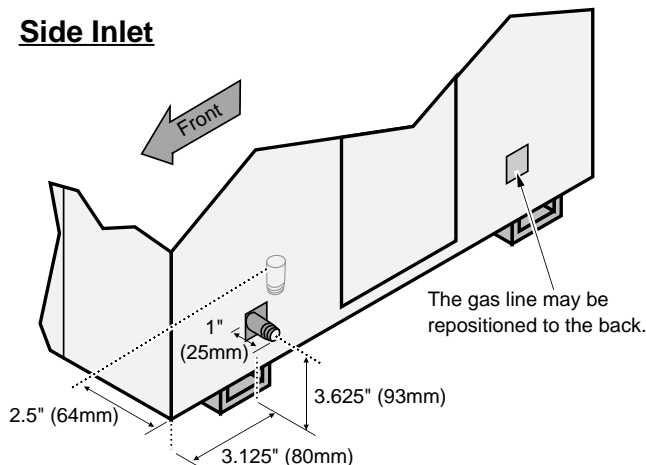
The gas inlet is on the side (not available from the base).



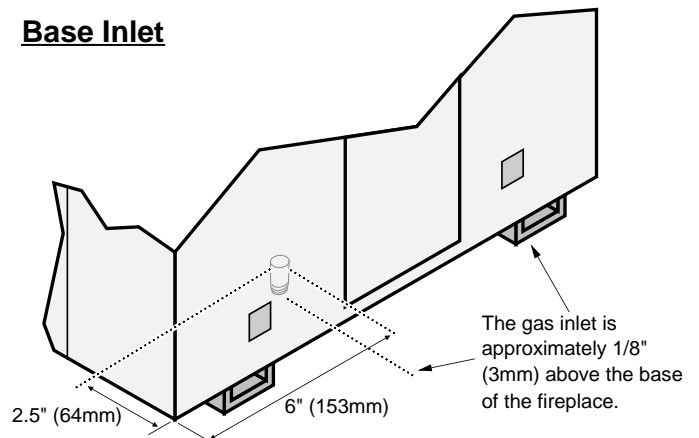
**Gas Inlet – Glass End**

The gas inlet is on the side or the base. NOTE: The gas inlet on the base is only available in one location. When looking from the side, the gas inlet from the base will always be on the left.

**Side Inlet**



**Base Inlet**



## Electrical Input Connection



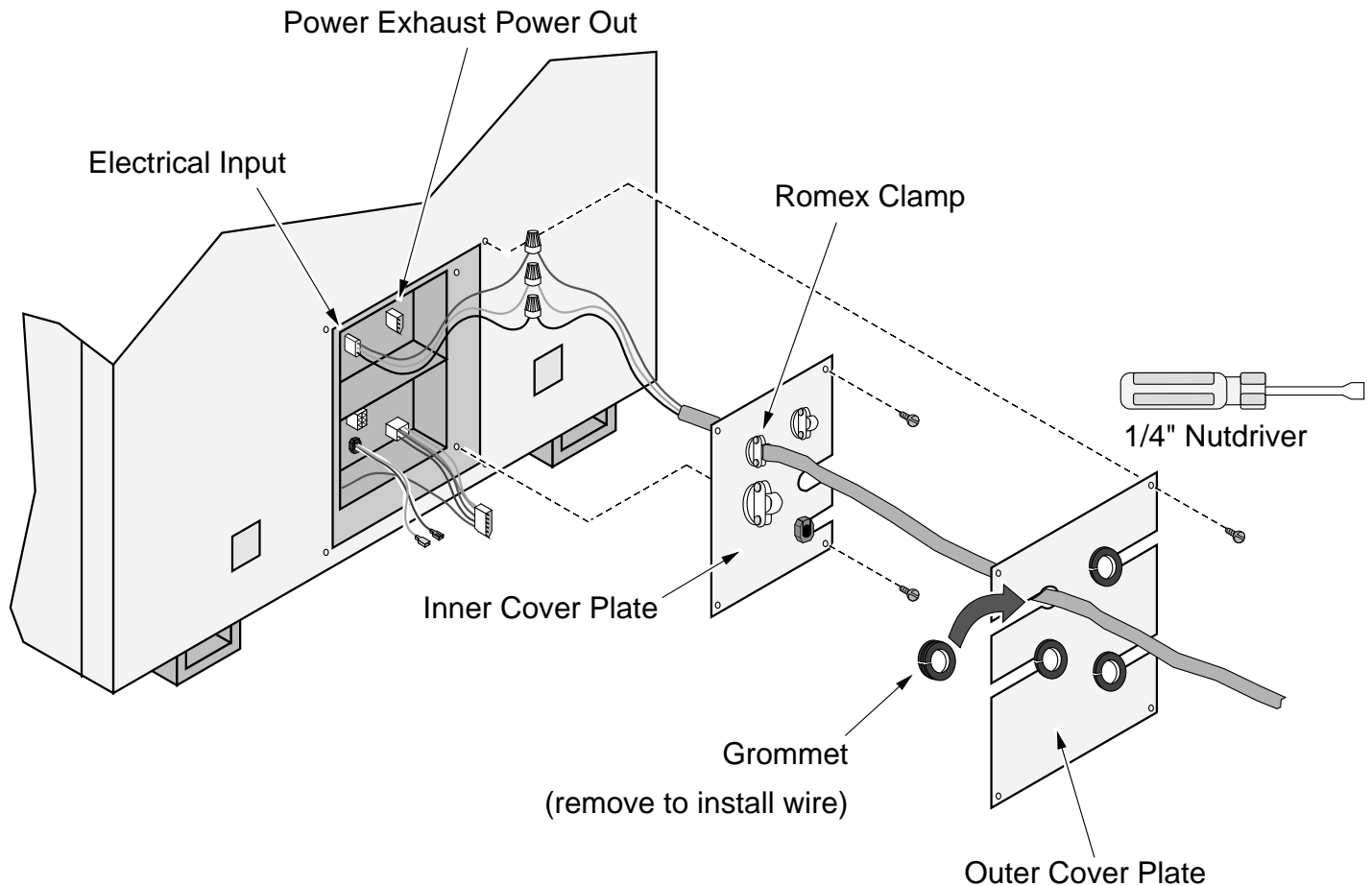
Do not connect 110-120 VAC to the gas control valve or control system of this fireplace.

- The electrical line to the grounded harness inside the fireplace must be installed by a qualified installer and must meet all local codes.
- Make sure the household breaker is shut off prior to working on any electrical connection. Turn the breaker on only after all wiring is in place (power exhaust, on-off LED harness, etc.).
- The appliance, when installed, must be electrically grounded in accordance with local codes or, in the absence of local codes, with the National Electrical Code, ANSI/NFPA 70, or the Canadian Electrical Code, CSA C22.1.
- The electrical line must supply 120 Volts, 60 Hz, and 7 Amps (maximum draw).
- Route the electrical connection through the cover plates and attach to the electrical input wires as shown below.

**Caution:** Label all wires prior to disconnection when servicing controls. Wiring errors can cause improper and dangerous operation.



**HINT:** Keep the cover plates disconnected until all wiring to the fireplace is attached. You may also wish to leave the romex clamps loose until the cover plates are ready to be attached.

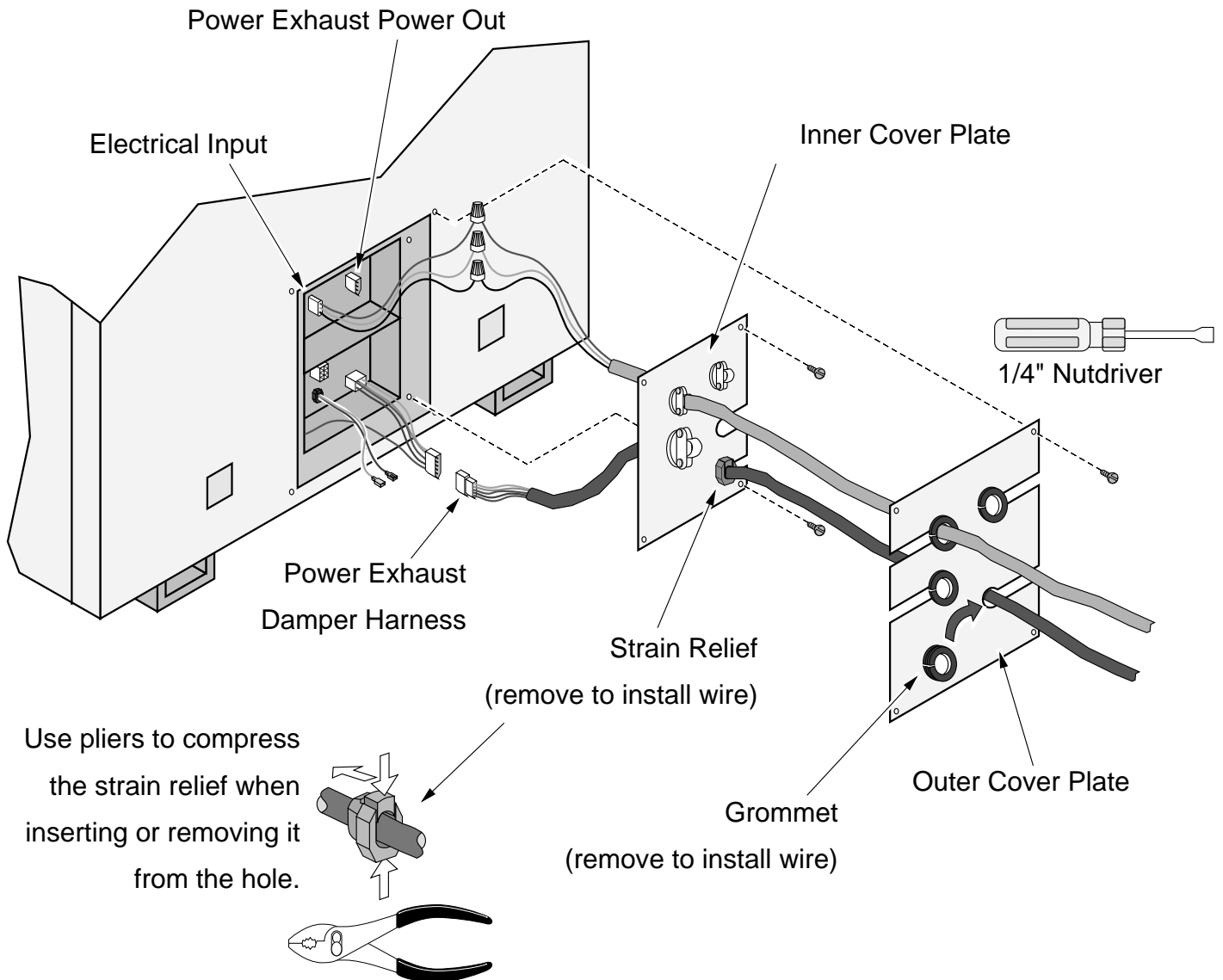


### Connecting the Power Exhaust Damper Harness to the Fireplace

- This fireplace uses a damper near the power exhaust to prevent air from flowing through the fireplace when the fireplace is off.
- The power exhaust damper harness is available in various lengths (see page 13 for details).
- Route the power exhaust damper harness through the cover plates and attach to the moxex connector on the fireplace as shown below.



**HINT:** Keep the cover plates disconnected until all wiring to the fireplace is attached. You may also wish to leave the romex clamps loose until the cover plates are ready to be attached.



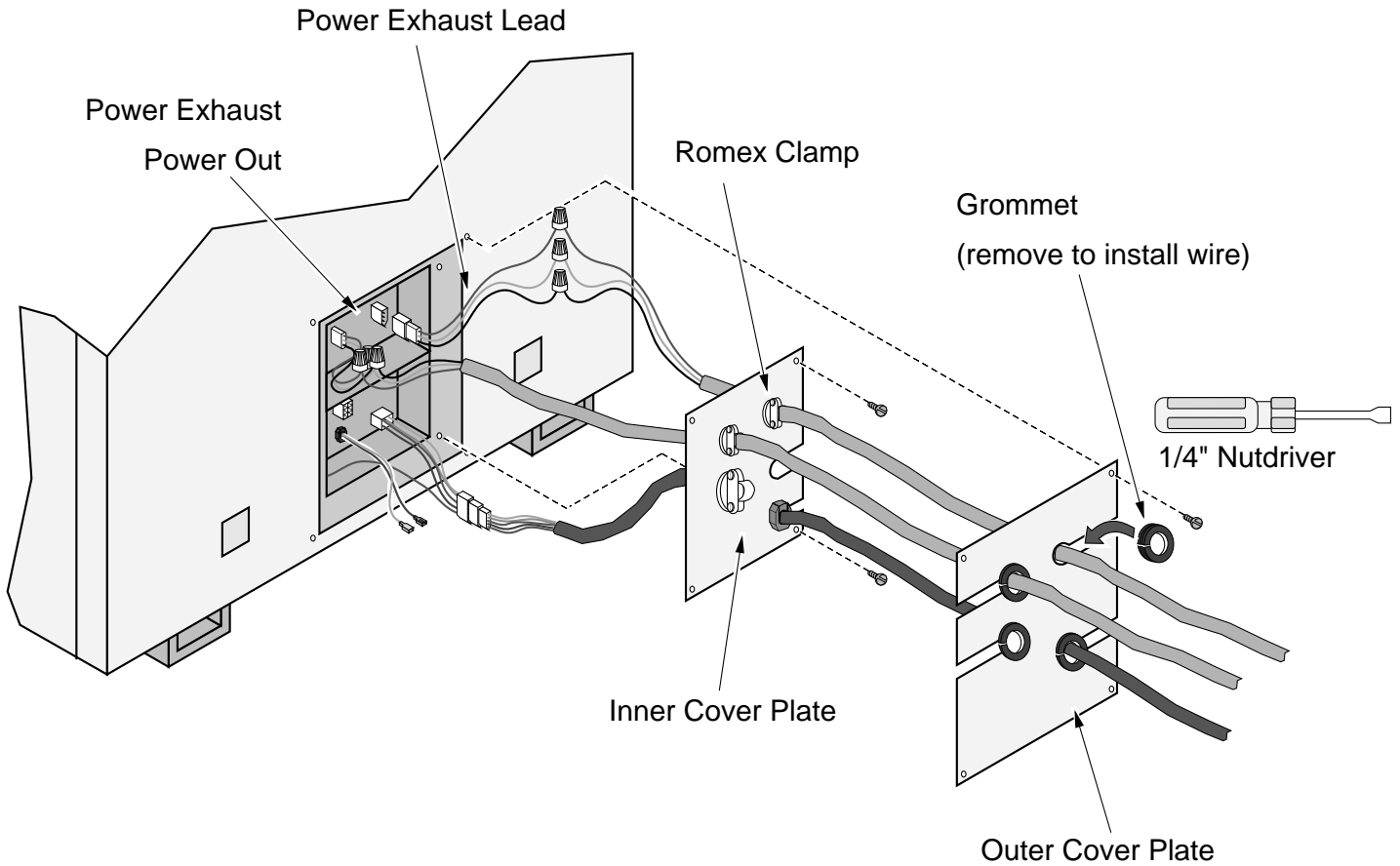
- The opposite end of the damper harness attaches to the power vent assembly (see "Wiring the Power Exhaust Assembly" for details).

**Connecting the Power Exhaust Lead to the Fireplace**

- The power exhaust is wired to the 120v line exiting the exhaust blower rheostat. Connect a minimum 12 gauge sheathed three-wire electrical line to the power exhaust lead (included loose with fireplace) and connect it to the molex connector on the fireplace – see illustration below. This wire is routed to the power exhaust assembly (see “Wiring the Power Exhaust Assembly” for details)..



**HINT:** Keep the cover plates disconnected until all wiring to the fireplace is attached. You may also wish to leave the romex clamps loose until the cover plates are ready to be attached.



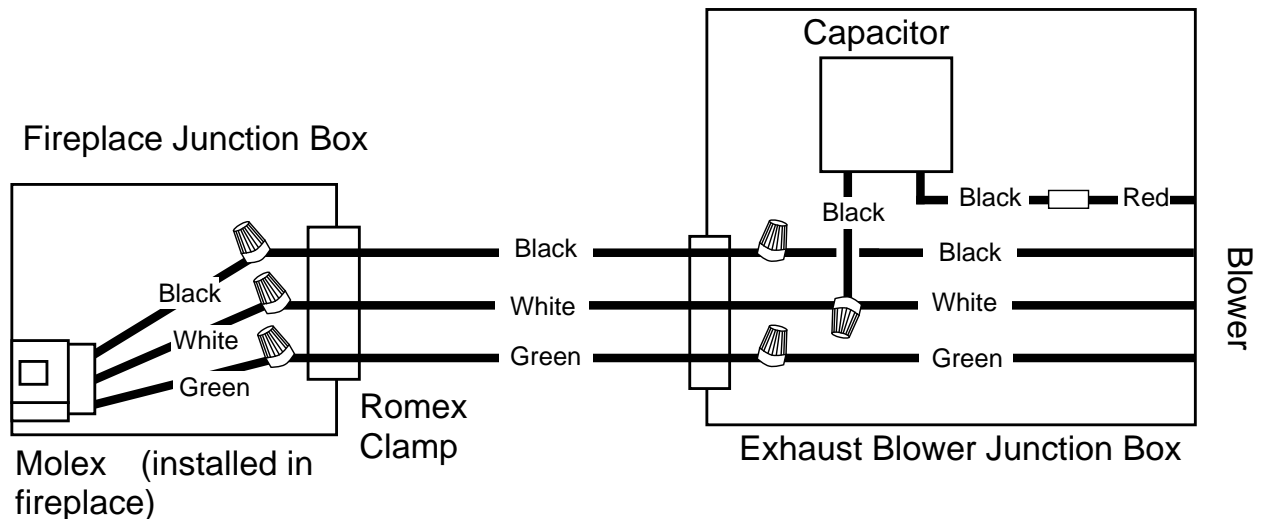
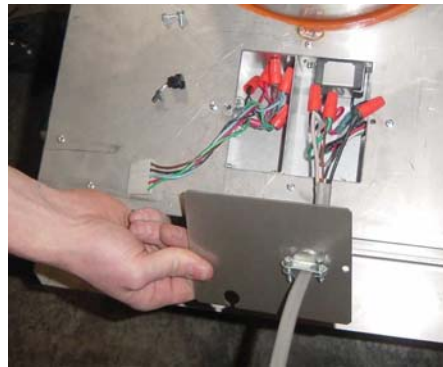
**Wiring the Power Exhaust Assembly**

- The power exhaust assembly consists of a power vent and damper. Refer to the wiring diagram on page 60 for wiring details.
- Connect the power exhaust power line (sheathed three-wire electrical line) to the capacitor and blower as shown below.

Remove the cover plate on the exhaust blower housing.



Route the electrical line through the romex clamp and attach the 120v wiring as detailed in the wiring diagram below. After the cover is replaced, tighten the clamp to secure the wiring.



**WARNING - BLOWER CAPACITOR WILL RETAIN A CHARGE**  
 Once power is supplied to the blower capacitor, it will retain a charge for approximately 5 minutes, even after power is shut off. Take care when working with this circuit, especially with the hot (black) wire and circuit board/wiring inside the fireplace.



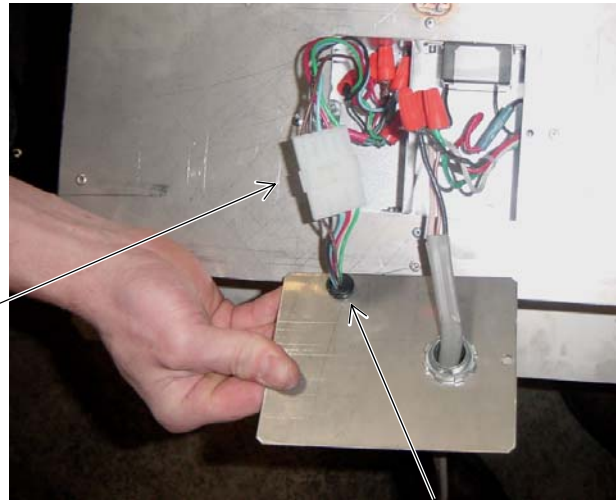
## Wiring the Power Exhaust Assembly (continued)

- In addition to the exhaust blower line, a low-voltage wire harness is routed from the fireplace to the damper inside the power exhaust assembly (see page 6 for wire lengths and part numbers).

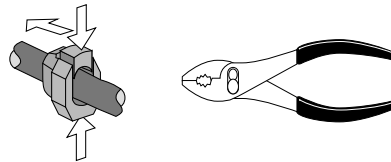
Route the exhaust damper wire harness to the junction box on the power exhaust. Remove the junction box cover plate. Remove the strain relief from the cover plate (see illustration below to the right). Route the wires through the slot on the cover plate and replace the strain relief. Attach the molex connector from the harness to the molex connector inside the exhaust box assembly).

Exhaust Damper Molex Connector

Replace the junction box cover, making sure all wiring is properly inserted.



Use pliers to compress the strain relief from the top and bottom while pushing it into the hole in the bracket.



**Caution:** Label all wires prior to disconnection when servicing controls. Wiring errors can cause improper and dangerous operation.



Test blower operation after attaching the wiring (leave gas off, turn appliance on, verify blower functions correctly).

### Connecting the On-Off LED Harness to the Fireplace

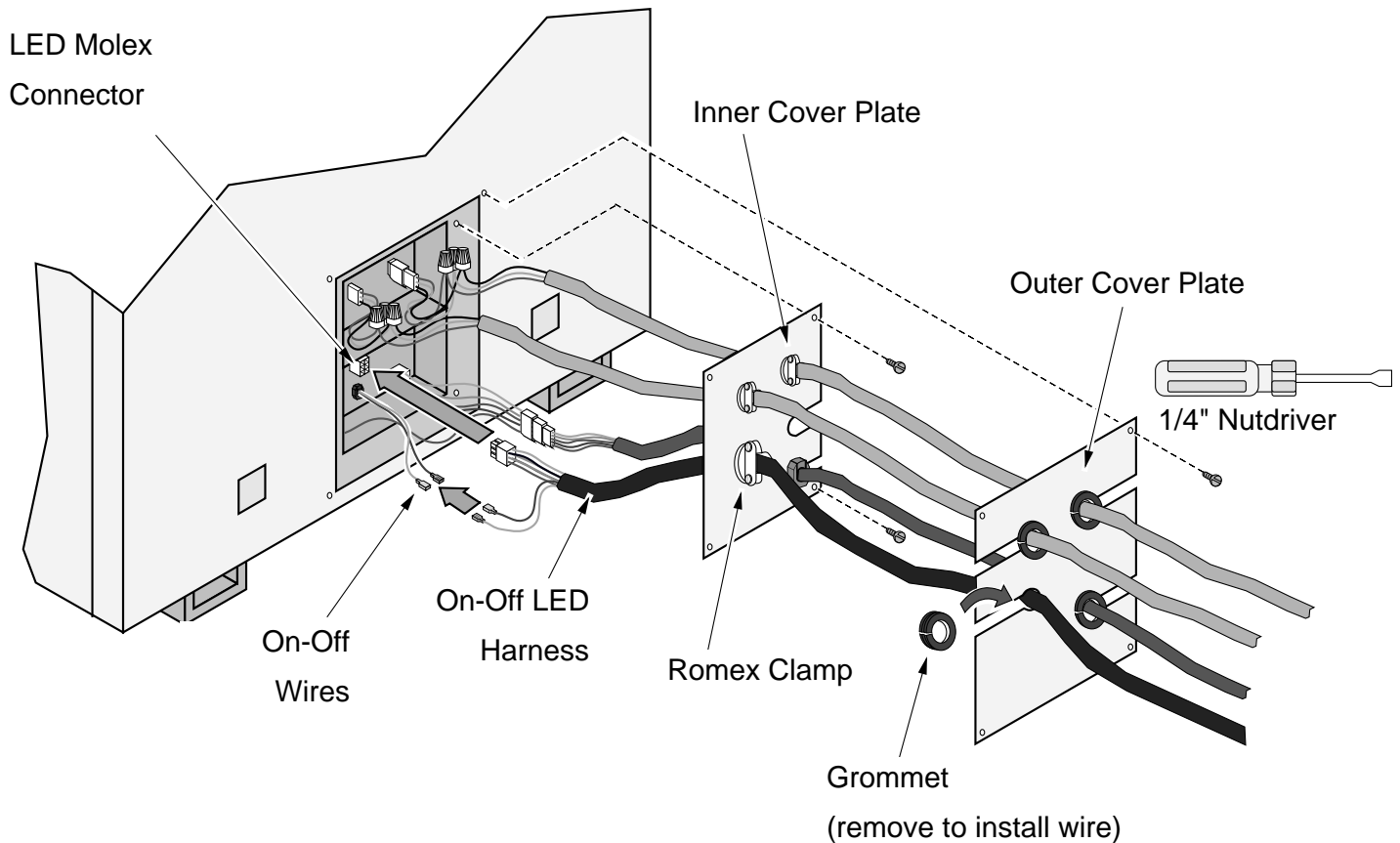


Do not connect 110-120 VAC to the gas control valve or wiring system of this fireplace.

- The On-Off LED harness is available in various lengths (see page 13 for details).
- Route the On-Off LED harness through the cover plates and attach to the molex connector and quick-connects on the fireplace as shown below.



**HINT:** Keep the cover plates disconnected until all wiring to the fireplace is attached. You may also wish to leave the romex clamps loose until the cover plates are ready to be attached.



- The opposite end of the On-Off LED harness attaches to the on-off switch and LED controller (see "Installing the On-Off Switch and LED Controller" on the following page for details).

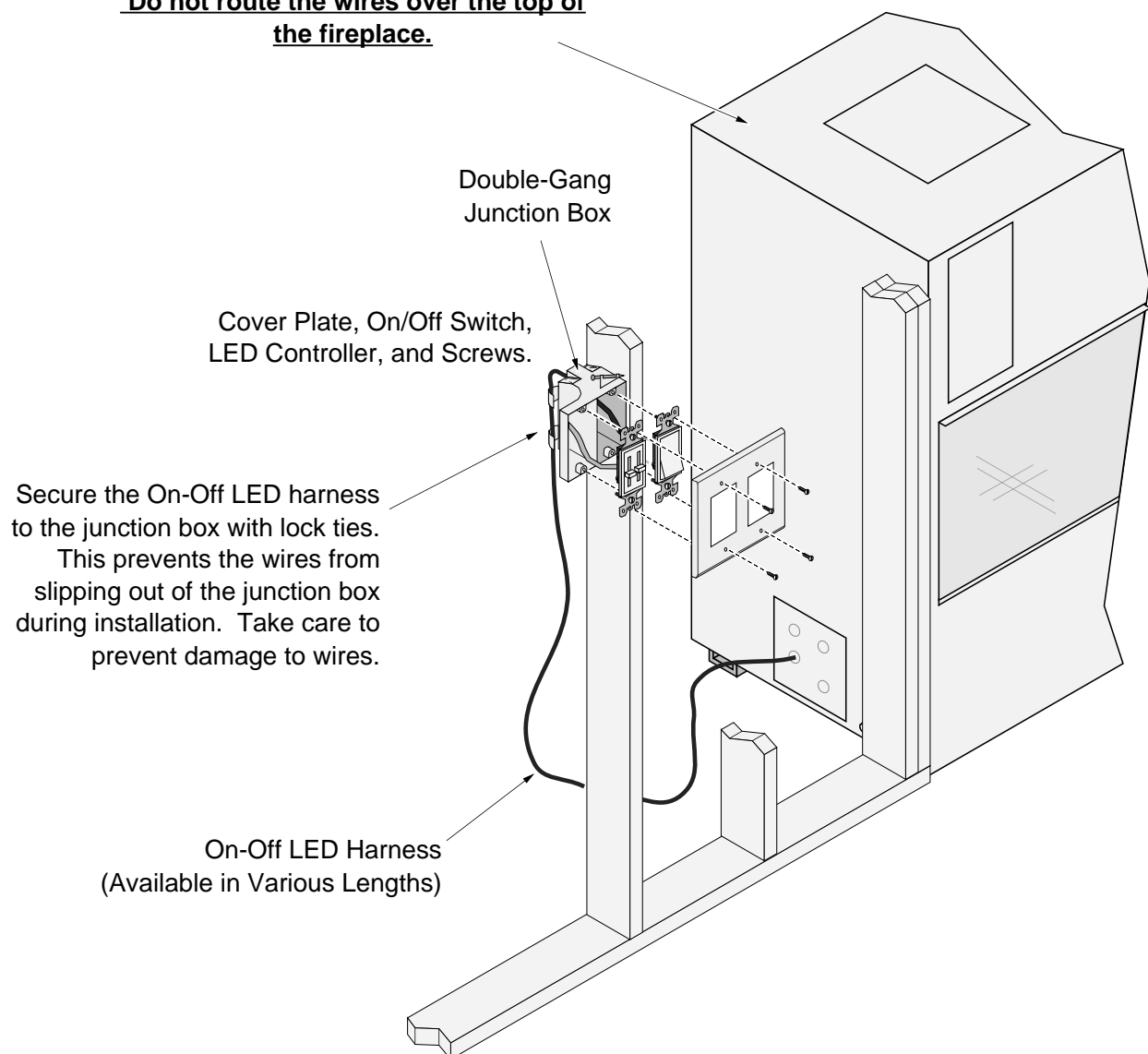
## Installing the On-Off Switch and LED Controller



Do not connect 110-120 VAC to the gas control valve or wiring system of this fireplace.

- The included junction box is used to mount the on-off switch and LED controller. Mount the junction box in an accessible location to allow the user to operate the fireplace.
- Route the On-Off LED harness to the junction box (harness is available in various lengths – see page 13). Route the wires through the junction box and attach the connections to the LED controller and on-off switch. NOTE: Install 3" to 6" of slack in the harness wires to allow for switch/controller access and removal.
- Attach the on-off switch and LED controller to the junction box with the included screws.
- The included cover plate should be installed after the fireplace has been tested and the installation finalized.

**Do not route the wires over the top of the fireplace.**



**Caution:** Label all wires prior to disconnection when servicing controls. Wiring errors can cause improper and dangerous operation. Verify proper operation after servicing.

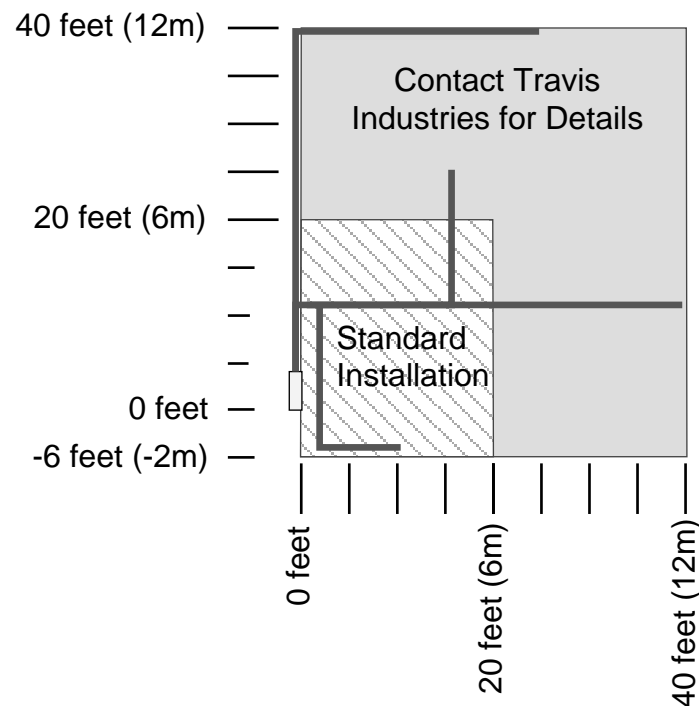
## Air Intake Requirements

The fireplace requires air intake(s) to supply combustion air to the firebox. Requirements for the air intake(s) are listed below:

- The air intake(s) must be routed to the exterior of the structure or to an area that freely conveys air to the outside. Do not draw air from a garage or other area that may be subject to fumes or airborne particles.

### Air Intake Ducts

- Must use 6" or 8" UL 181 Duct (Class 1 or Class 0 – capable of negative pressure reading of 1" water column). Consult your local building department for details on duct installation and requirements in your area. We strongly recommend the use of insulated ducting such as Master Flow™ which is carried at Home Depot™ and other stores that carry HVAC products (insulated ducting is typically R4.2 or greater with vapor barrier). Insulated ducting prevents condensation from forming on the exterior of the ducts or fireplace. This is especially important when the ducts are routed through heated areas that may be subject to humidification.
- The chart below details air intake maximum height and length. If the intake falls within the "Standard Installation" range shown below, the air intakes may be 6" diameter. If the intake falls within the shaded range, you must contact Travis Industries to verify the installation and determine the correct configuration (you may need to use 8" diameter duct).



- Connect the air intake ducts to the fireplace, damper (if used), and termination using a suitable securing method (tape, silicone, etc.). Long duct runs must be properly secured.
- Each air intake termination must be positioned so it does not become blocked by snow, vegetation, or other material. It must be installed with a suitable cap that prevents water or debris from entering. The termination (and damper, if used) must be positioned so it may be accessible for service and verification. If air intake is positioned on a wall, make sure to slope the intake down slightly to prevent water intrusion.

## Intake Dampers

### **WARNING:**

**DO NOT CONNECT THE INTAKE DAMPER WIRES TOGETHER – THIS WILL SHORT THE SYSTEM.**

- Provisions for an intake damper(s) are included with this fireplace (24V AC wires). Intake dampers are recommended for cold areas or locations where air infiltration must be minimized. Connect the intake duct to the damper and route to the termination (if applicable).
- If you live in the shaded regions shown in the illustration to the right, we strongly recommend using intake dampers (except in cases where the air being drawn in is conditioned or part of an air inlet system). In addition, use insulated air ducts and insulate the fireplace enclosure.
- If the fireplace is located in an area with negative pressure, we recommend intake dampers to prevent air from being drawn into the fireplace when it is not in operation.



- The intake damper wires may be routed from the fireplace inside or outside the ducting to the damper. Attach the damper wires to the damper (wire orientation does not matter). These wires may be shortened or extended using suitable wiring. When installing, make sure all excess wire is positioned away from the damper so it does not interfere with damper operation.
- After installation, turn the fireplace on and visually check the intake dampers to verify they open correctly.
- If using intake dampers, they must be located in an area that will allow them to be serviced at a later time. In addition, the dampers should be placed so their operation can be verified.

## Air intakes in Warm Environments

The DaVinci Custom Fireplace™ uses air-cooled glass to ensure proper temperatures near the viewing area. If operating the fireplace when the outside temperature is hot (above 90 deg. F.), you will notice the glass will become warm to the touch. When temperatures are more moderate, the glass will be cooler. Although this is not a safety issue, we do believe all fireplace viewers (and installers) should be aware of this. If you do anticipate operating this fireplace with higher outside temperatures, you may wish to pull the intake air from a cooler location (e.g.: shaded side of the building, conditioned air, etc.).

***Air Intake Installation – Horizontal with Termination***

6" Version 98900093

8" Version 98900094

After removing the inner and outer cover plates, install the starter collar. Bend the tabs down to secure it.



Locate the intake damper wires and make sure they are accessible before proceeding.

**WARNING:**

DO NOT CONNECT THESE WIRES TOGETHER (THIS WILL SHORT THE SYSTEM).



The intake damper requires a framed opening that is 8" (203mm) wide by 9" (229mm) tall. Secure the intake damper plate to the framing.



Slide the intake damper into place.



Secure the intake damper to the intake damper plate.



## ***Air Intake Installation (continued)***

Before attaching the flex duct, make sure to attach the intake damper wires to the damper assembly. Then insert the wires into the flex duct. Pull the wires through the duct, making sure they do not catch any sharp edges.



Slide the flex duct into place.

**NOTE:** In the pictured example, we have crimped the intake damper. You may crimp this or use the included slider plate or connector to attach your flex duct.



Secure the flex duct to the intake damper with two screws

**DO NOT SCREW INTO THE TOP OF THE INTAKE DAMPER – THIS MAY CAUSE DAMAGE TO THE INTAKE DAMPER ACTUATOR.**



Use suitable tape to seal the duct joint.



Route the flex duct to the fireplace air intake. Connect the wires from the air intake damper to the wires from the fireplace.

**NOTE:** The air intake wires may be shortened to ease installation.



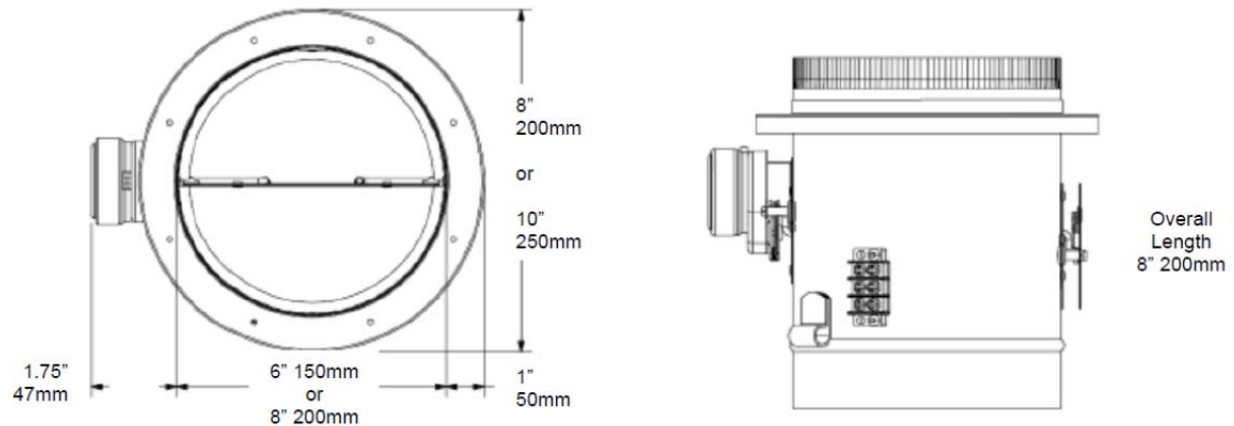


***Air Intake Dampers (for Hori. or Vert. Termination)***

6" Dia. Intake Damper 98900078

8" Dia. Intake Damper 98900079

- 24V AC (orientation of wires does not matter)
- Normally Closed
- Spring Return



- The intake damper wires are located inside the air intake on some fireplaces. Carefully fashion a hole in the intake damper (or fireplace) and route the wires to the exterior of the duct. Make sure the wires do not contact any sharp edges (use grommets if necessary). Seal the duct to ensure proper airflow.
- Route the intake damper wires from the fireplace to the damper. A 20' extension is provided to extend the wiring (if additional wiring is needed, use part 250-02295 or 18 gauge wire).
- You will need to cut the quick-connects off the end of the wire harness. Attach the intake damper wires to the upper and lower posts on the terminal block attached to the intake damper (see pictures below - **orientation of the two wires does not matter**).





## Vent Requirements

---

- The gas appliance and vent system must be vented directly to the outside of the building, and never be attached to a chimney serving a separate solid fuel or gas-burning appliance. Each direct vent gas appliance must use its own separate vent system.
- In addition to the requirements listed here, follow the requirements provided with the vent.
- A firestop is required whenever the vent penetrates a wall, floor, or ceiling (passes through framing members). Firestops may be provided by the vent manufacturer (1" clearance).

## Vent Clearances

- The vent must maintain the required clearance to combustible materials to prevent a fire. Do not fill air spaces with insulation.

Minimum Clearance to Vent	1" (25mm)
---------------------------	-----------

## Altitude Considerations

- This fireplace has been tested at altitudes ranging from sea level to 6,000 feet (1800 M). In this testing we have found that the fireplace, with its standard orifice, burns correctly with just an air shutter adjustment.
- Failure to adjust the air shutter properly may lead to improper combustion which can create a safety hazard. Consult your dealer or installer if you suspect an improperly adjusted air shutter.

## Approved Vent

- Use listed 10" B-Vent (typically 11" 279mm outer diameter). This vent is available from Travis Industries.

## Vent Installation

- Before installing vent sections, place a bead of high-temperature silicone around the joint to ensure an air-tight seal.
- Lock the vent sections together and use screws to secure.
- Horizontal sections require non-combustible support every three feet (e.g.: plumbing strap)

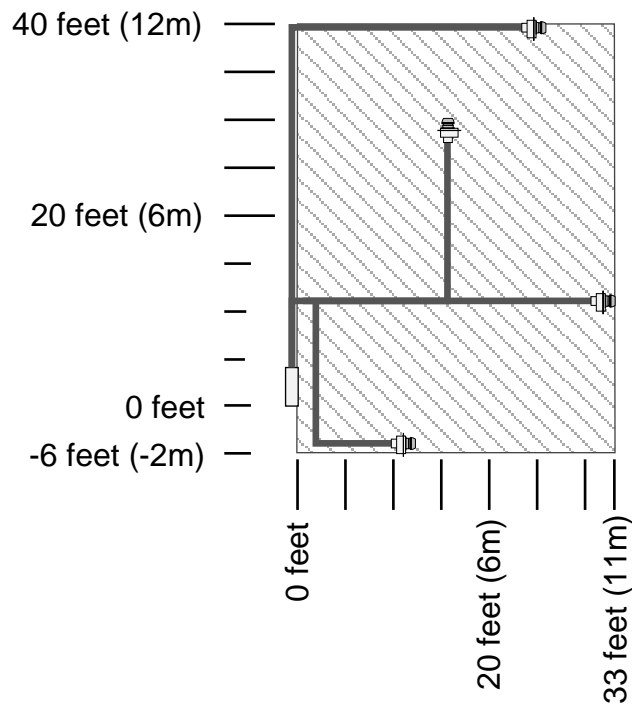
## Approved Vent Configurations

### Maximum Vent Run and Rise

The fireplace vent must meet the following requirements (measured from base of fireplace):

- Minimum Vent Length 3' (1 M)
- Maximum Horizontal Run = 33' (11 M)\*
- Maximum Vertical Rise = 40' (13 M)\*
- Maximum Vertical Drop = 6' (2 M)\*
- Maximum 90° Elbows = 4 (note: two 45° elbows count as one 90° elbow)

\* For installations exceeding this limit, contact Travis Industries for further review and approval.

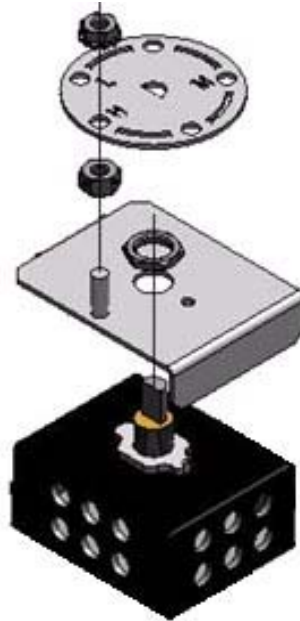


## Rheostat Adjustment

**Most vent configurations will require no adjustment to the rheostat.** If your flame is especially blue or short after 20 minutes, you may need to adjust the rheostat. Contact Travis Industries for further details before adjusting the rheostat.

**NOTE:** The exhaust blower will run on high for approximately 30 seconds once the fireplace is turned on (pre-purge). After 30 seconds the burner will turn on and the rheostat controls the speed of the exhaust blower.

**NOTE:** Make sure to re-install the rotating plate correctly. If you put it on upside-down it will not calibrate correctly.



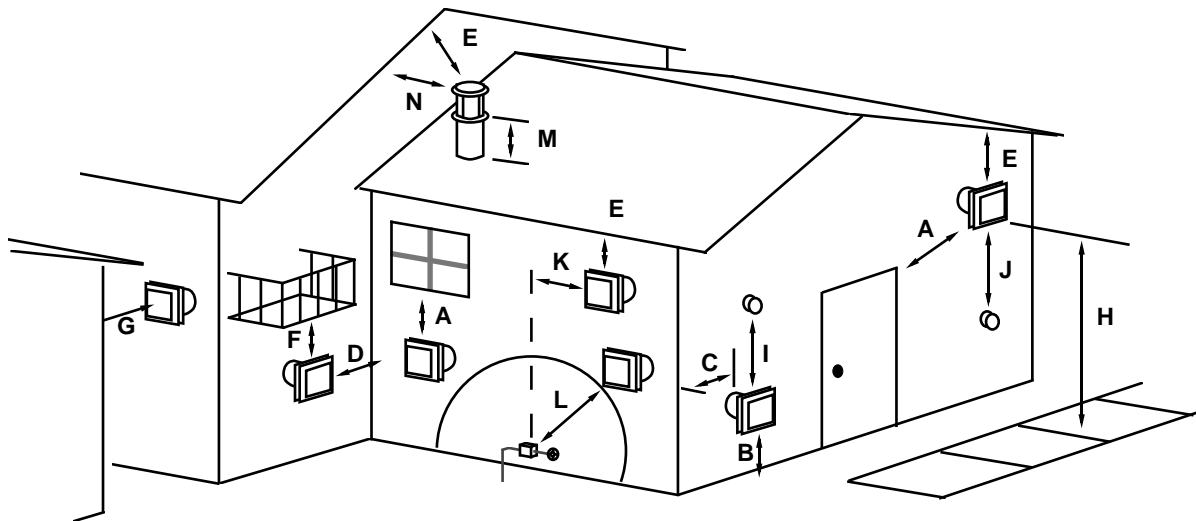
## Restrictor Installation

**Most vent configurations will require no restrictor.** If your flame is especially blue or short after 20 minutes, you may need to install the restrictor (it is shipped loose inside the owner's pack). Contact Travis Industries for further details before installation.

## Termination Requirements

### ! Venting terminals shall not be recessed into a wall or siding.

- A Minimum 9" (229mm) clearance from any door or window
- B Minimum 12" (305mm) above any grade, veranda, porch, deck or balcony
- C Minimum 1" (25mm) from outside corner walls  
**NOTE:** Clearance in accordance with local installation codes and the requirements of the gas supplier.
- D Minimum 24" (610mm) from inside corner walls  
**NOTE:** Clearance in accordance with local installation codes and the requirements of the gas supplier.
- E Minimum 24" (610mm) clearance below ventilated or unventilated soffits or roof surfaces  
**NOTE:** Clearance in accordance with local installation codes and the requirements of the gas supplier.
- F Minimum 12" (305mm) clearance below a veranda, porch, deck or balcony  
**NOTE:** Permitted only if veranda, porch, deck, or balcony is fully open on a minimum of two sides beneath the floor.  
**NOTE:** Clearance in accordance with local installation codes and the requirements of the gas supplier.
- G Minimum 48" (1219mm) clearance from any adjacent building
- H Minimum 84" (2134mm) clearance above any grade when adjacent to public walkways or driveways  
**NOTE:** may not be used over a walkway or driveway shared by an adjacent building
- I Minimum 9" (229mm) clearance to any nonmechanical air supply inlet to the building or the combustion air inlet to any other appliance.
- J Minimum 36" (914mm) clearance above any mechanical air supply inlet if within 10' (3M) horizontally
- K Minimum 36" (914mm) from the area above the meter/regulator (vent outlet) - this extends 15' (4.5M) above the regulator  
**NOTE:** Clearance in accordance with local installation codes and the requirements of the gas supplier.
- L Minimum 36" (914mm) from the meter/regulator (vent outlet)  
**NOTE:** Clearance in accordance with local installation codes and the requirements of the gas supplier.
- M Minimum 12" (305mm) above the roof line (for vertical terminations)
- N Minimum 24" (610mm) horizontal clearance to any surface (such as an exterior wall) – for vertical terminations

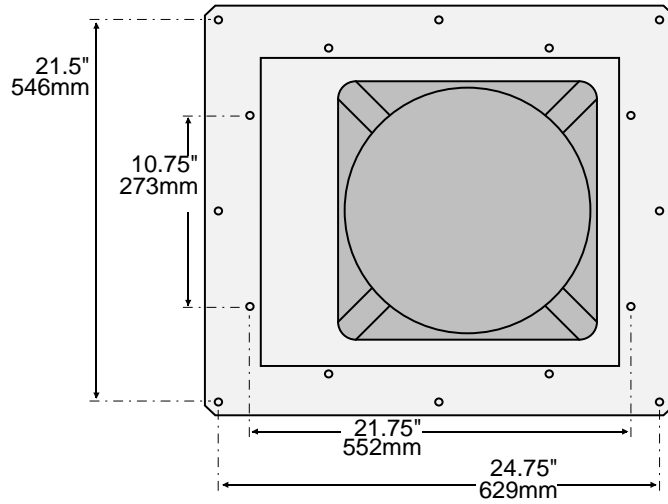
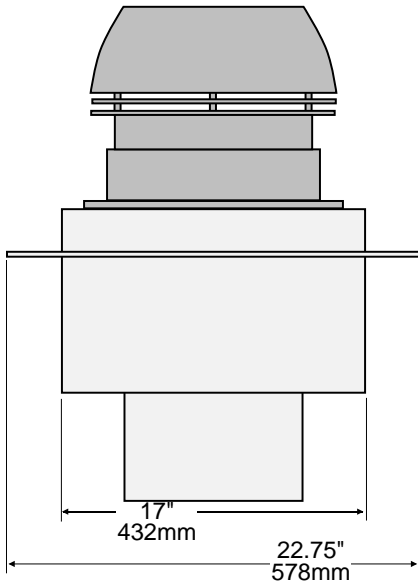
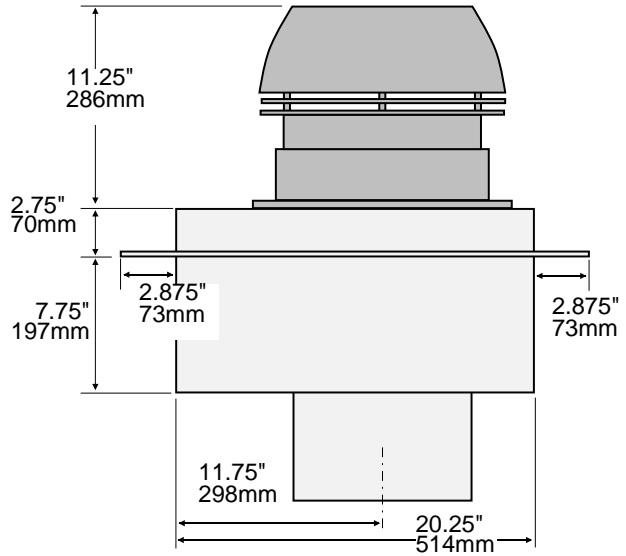
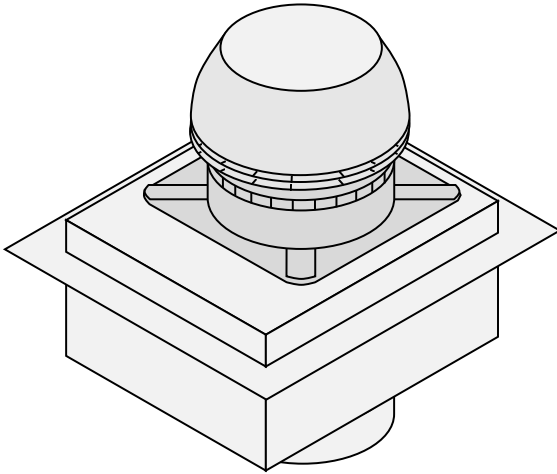


**NOTE: Measure clearances to the nearest edge of the exhaust hood.**

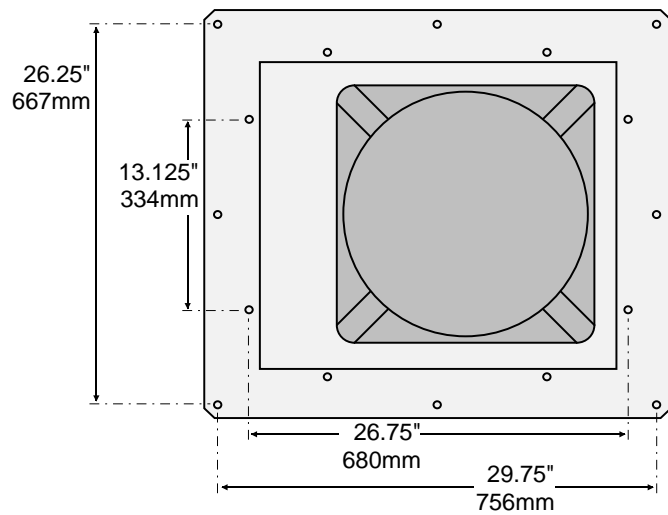
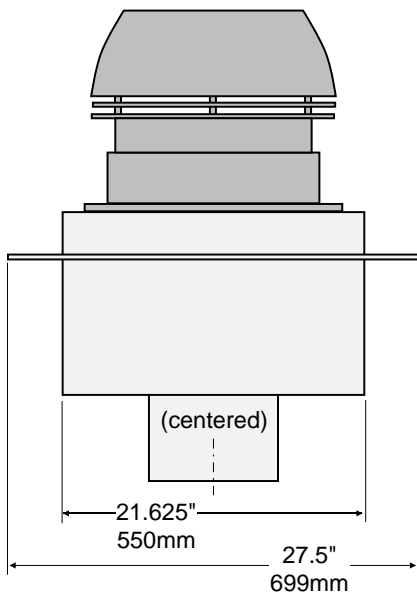
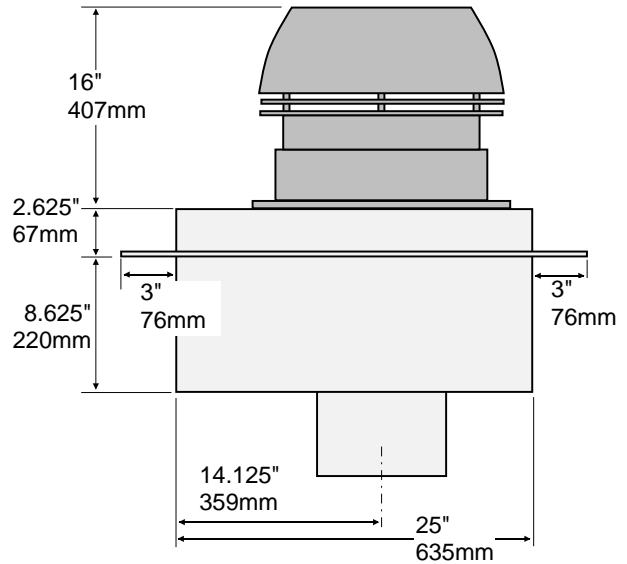
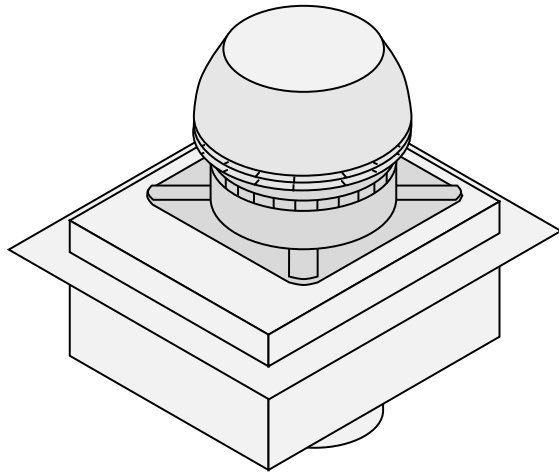
- Vent termination must not be located where it will become plugged by snow or other material

**Power Vent – Dimensions and Framing**

**Power Exhaust Dimensions – Low Volume 94400903**



Power Exhaust Dimensions – High Volume 94400904

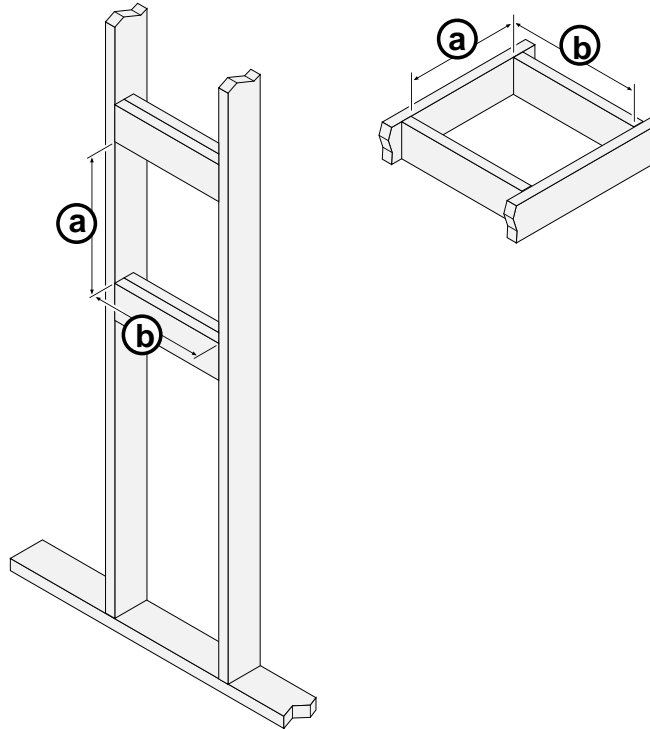


## Framing For Exhaust Box

- The exhaust box must be mounted into framing capable of supporting the weight of the exhaust box and any vent.
- Box must be properly weatherized to prevent rain or snow from entering.
- Framing dimensions are listed below.

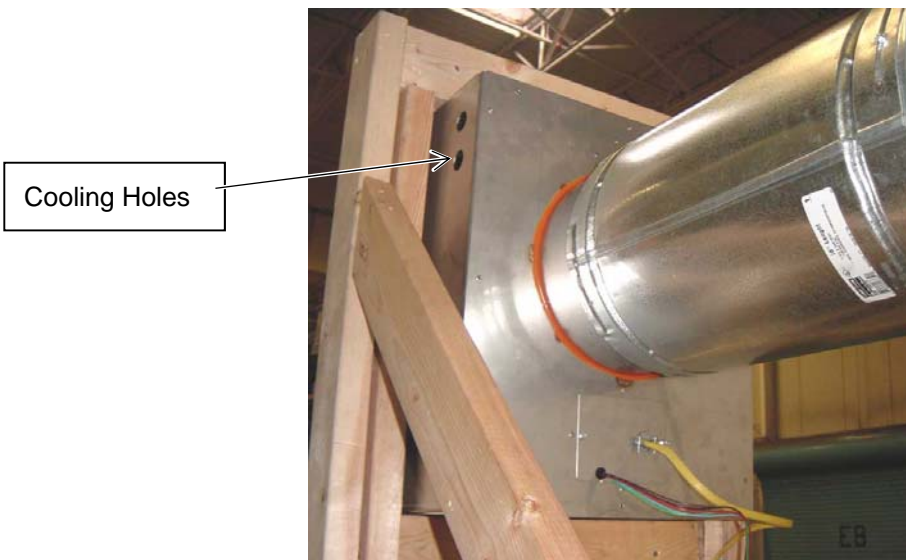
Horizontal Termination

Vertical Termination



	<b>Height (a)</b>	<b>Width (b)</b>
<b>Small Blower</b>	20.5" (521mm)	17.25" (438mm)
<b>Large Blower</b>	25.25" (642mm)	21.875" (556mm)

- Box may be mounted in a vertical or horizontal position. If mounted in a horizontal position, the box must be mounted with the cooling holes on top (to allow for proper airflow).



### Hearth Requirements

A hearth is not required for this fireplace. If a hearth is installed, it must not extend above the glass opening (we recommend the hearth be a minimum 1" below the glass opening to allow for glass installation). The hearth may be combustible or non-combustible.

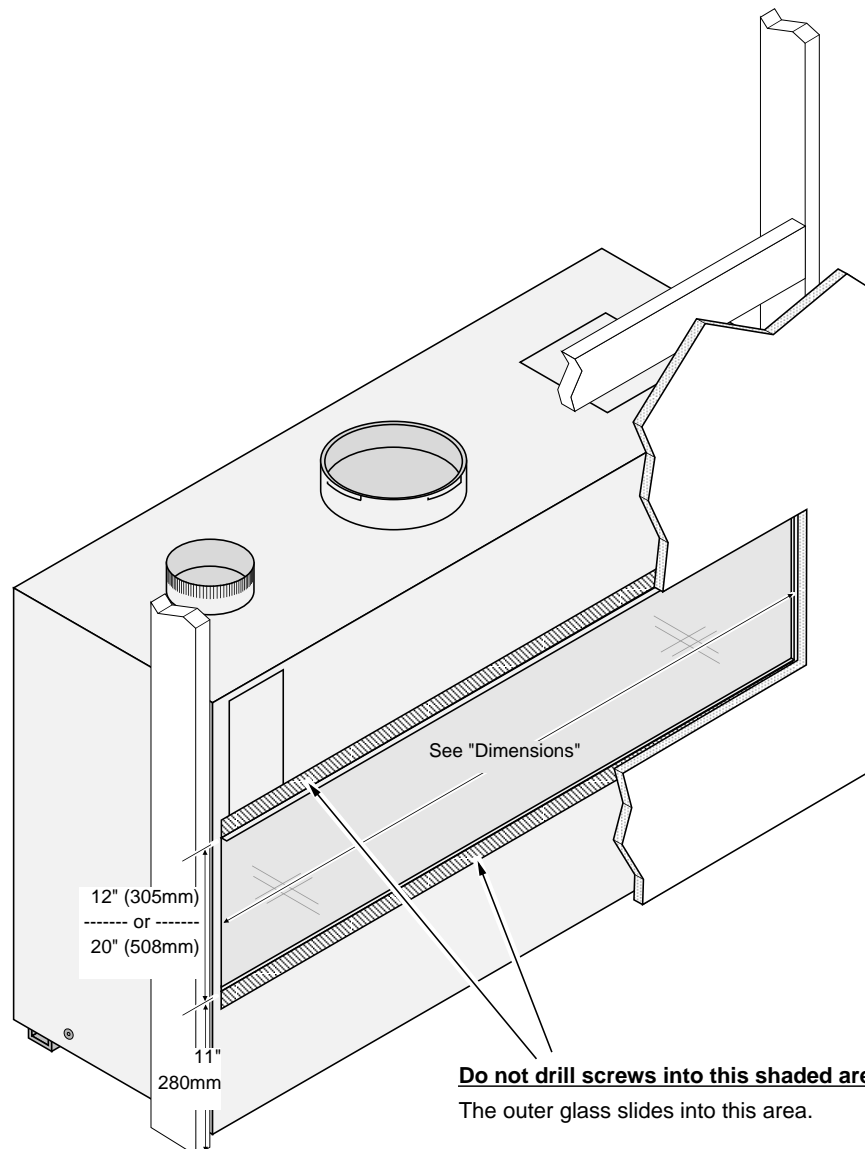
### Facing Requirements

- Drywall, tile, or other facing (combustible or non-combustible) may be placed directly on the face of the fireplace (see "a" below).
- Facing may be placed along the perimeter of glass opening, but must not extend over it. This area must remain open to allow for glass removal and installation.
- Fireplace must not be used to support the facing. Heavy facing must be self-supporting.



**WARNING:** Do not use adhesive to secure the facing. The high temperatures of the fireplace may cause adhesives to emit odors. Use mastic or thin set (or other non-combustible, non-odorous adherent) to attach the facing.

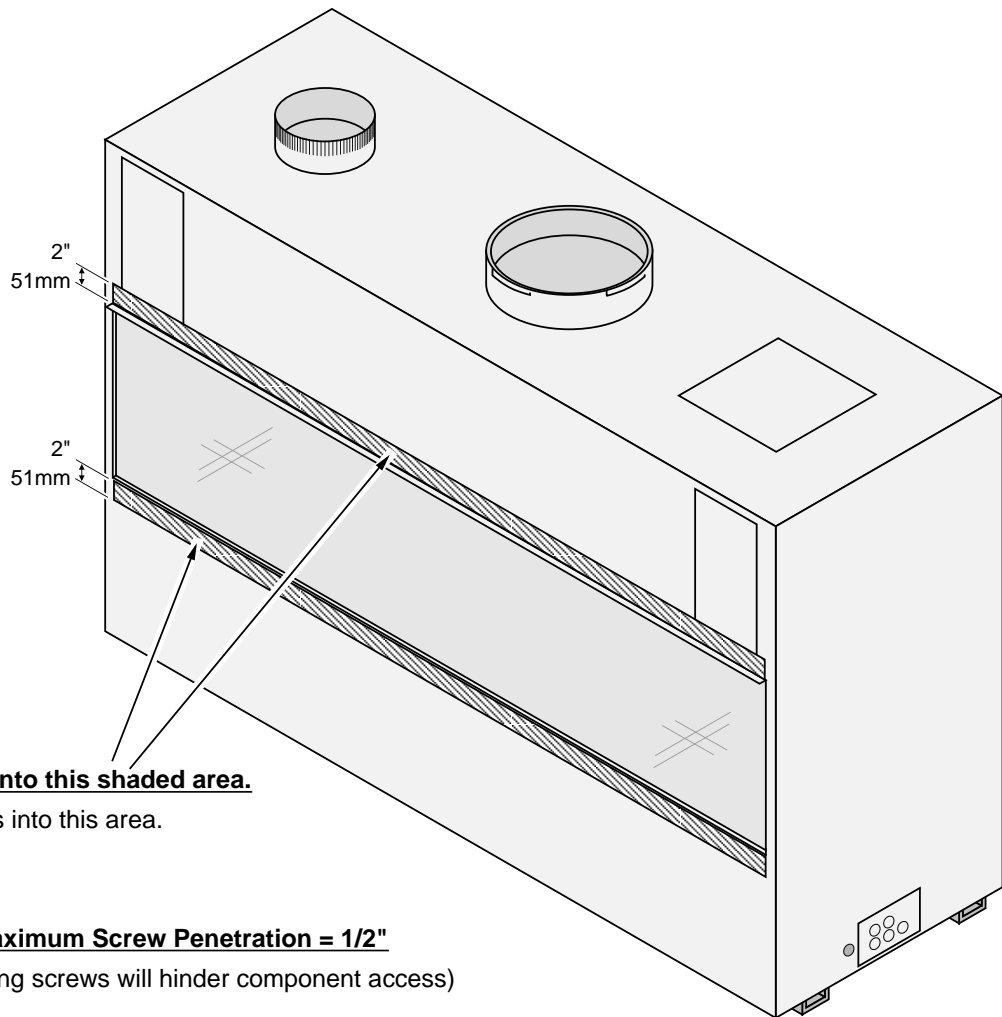
**NOTE:** Screws may be used to secure cement board or tile backer to the fireplace. Do not penetrate the fireplace more than 1/2" (13mm).





## Do Not Drill or Screw Zone

When using screws to secure drywall to the fireplace, make sure to avoid the area shown below. Make sure screws penetrate no more than 1/2" (13mm) into the fireplace.



**Do not drill screws into this shaded area.**

The outer glass slides into this area.

**Maximum Screw Penetration = 1/2"**

(long screws will hinder component access)

## Mantel Requirements

- A mantel (combustible or non-combustible) may be installed above the fireplace. Make sure it does not overlap the glass opening.

**Fireback Installation**

Firebacks are shipped separately from the fireplace and must be installed prior to installing the crushed glass. There are three different sizes of firebacks (12", Divider, and End Firebacks). Depending upon the type of fireplace, you will need multiple pieces (see table below). Follow the instructions below to install.

**Fireback Quantity Needed – Category 1 Fireplaces**

<u>Type of Fireplace</u>	<u>Length (Nominal)</u>	<u># of 12" Firebacks</u>	<u># of Divider Firebacks (4.25" Wide)</u>	<u># of End Firebacks (8.625" Wide)</u>	<u># of Bay Firebacks (5.5" Wide)</u>
1-Sided	5'	5	2	2	0
	4'	4	2	2	0
	3'	3	2	2	0
See Through	Any Length	0	4	2	0
Pier	Any Length	0	2	1	0
Island	Any Length	0	0	0	0
Full Bay	5'	5	0	0	2
	4'	4	0	0	2
	3'	3	0	0	2
Side	5'	5	1	1	1
	4'	4	1	1	1
	3'	3	1	1	1

**Fireback Installation Order**

<u>Type of Fireplace</u>	
1-Sided	(a) Install 12" firebacks (start at ends and work inwards – align if necessary). (b) Install divider firebacks. (c) After inner glass is in place, install end firebacks.
See Through	(a) Install divider firebacks. (b) After inner glass in place, install end firebacks
Pier	(a) Install divider firebacks. (b) After inner glass in place, install end firebacks.
Island	No firebacks, no worries.
Full Bay	(a) Install bay firebacks on both ends (install near end and slide to the outside). (b) Install 12" firebacks.
Side	(a) Install bay firebacks at the end (install near the end and slide to the outside). (b) Install 12" firebacks. (c) Install divider fireback. (d) After inner glass in place, install end fireback

## Identifying the Firebacks

### 12" Fireback



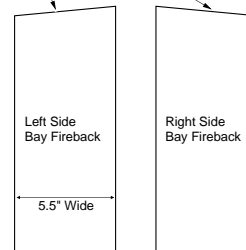
This notch fits over the ledge at the back of the firebox.

### Bay Fireback



This notch fits over the ledge at the back of the firebox.

Note how the top angles downwards to the outside.

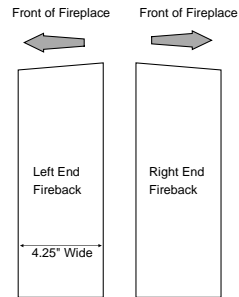


### End Fireback



The end fireback has a hole on the bottom.

The end firebacks are side specific (each side is not interchangeable). Make sure to place the end fireback with the slope facing outward (see illustration to the right).



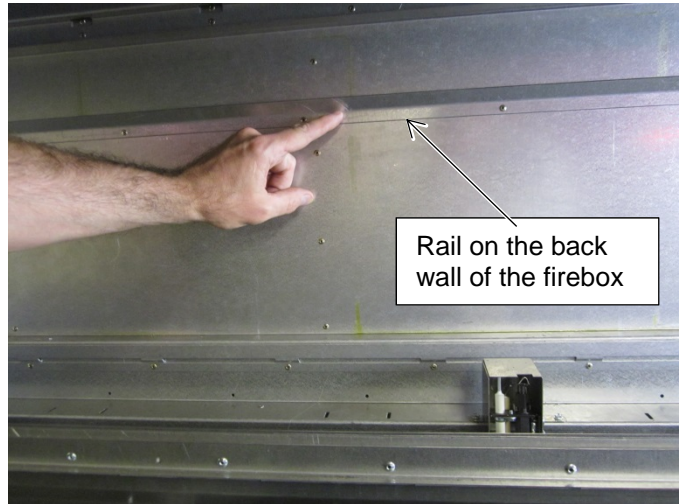
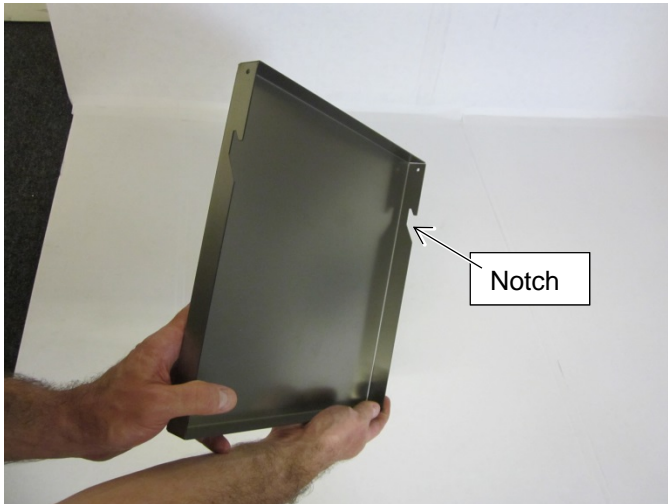
### Divider Fireback



The divider fireback has a notch on the bottom.

**Installing the 12" Firebacks**

The fireback has a notch on each side that slides over a rail at the back of the firebox.

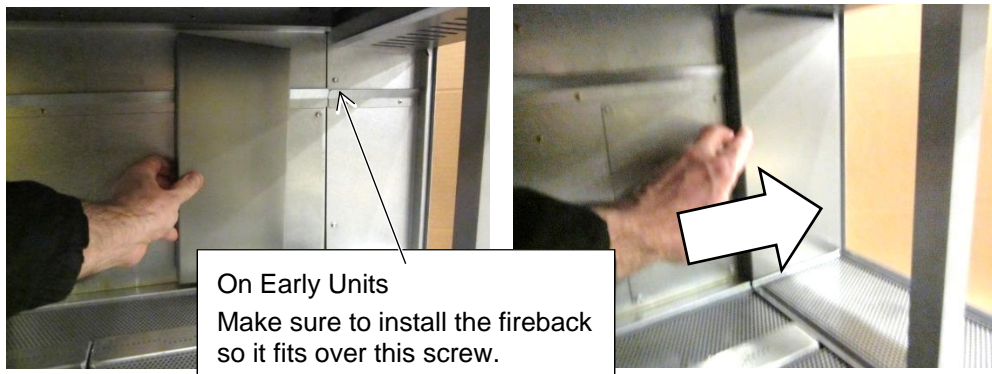


Install each fireback using suction cups (or two hands). Place the fireback into position, making sure the notch fits over the rail. Once attached, the fireback may be slid left or right. Once all firebacks are installed, make sure they are equally spaced and fully seated.



**Installing the Bay Firebacks**

NOTE: If using a bay fireplace, install the bay firebacks before installing the 12" firebacks. The bay firebacks install in the same fashion as the 12" firebacks. Place the fireback in place, approximately 6" from the end (make sure it is the correct side – the top edge slopes down at the end). Then slide it outwards into place (see pictures below).

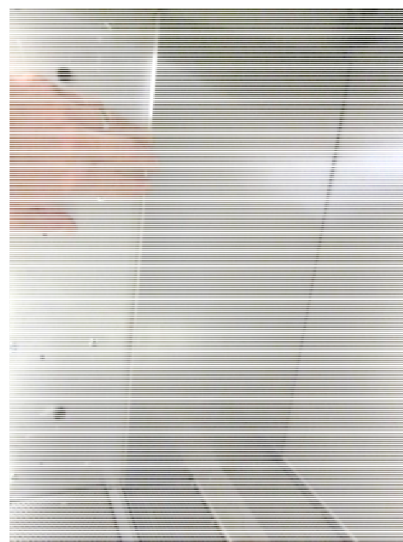


## Installing the Divider and End Firebacks

These firebacks use two magnets to hold each fireback in place. The magnets are shipped pre-attached to the fireplace walls.



**NOTE:** The divider firebacks have a notch at the bottom. Place it as shown below.



Install the inner glass panes before installing the end firebacks (NOTE: Remove the magnets before glass installation). The end fireback has angled top. Place the fireback with the slope facing outwards.



**Glass Pane Installation and Removal**

This fireplace uses a dual layer of glass to provide combustion air to the fireplace and keep the exterior cool. The glass panes are packaged separately and do not use a steel glass frame.



**The appliance must be completely cool before removing the glass.**



**Do not strike or slam the glass.**



**Warning: Do not operate appliance with the glass front removed, cracked or broken. Replacement of the glass should be done by a licensed or qualified service person.**



**Use only glass provided by Travis Industries for this appliance. Do not use substitute glass.**

**Suction Cups**

**NOTE:** Suction cups are required for glass installation and removal. These are available from Travis Industries (sku 94400914).

**When to Install the Glass Panes**

The glass is typically installed after all other steps have been completed. This helps ensure the glass is kept clean and away from potential damage.

- (a) Fireplace should be in location and attached to power, gas, vent and intake.
- (b) Install the firebacks.
- (c) Install the inner glass and test-start the fireplace. This is done to verify appliance operation only. Do not let the appliance burn for more than 5 minutes.
- (d) Remove the front inner glass.
- (e) Install the crushed glass over the burner and inner media trays.
- (f) Replace the front inner glass.
- (g) On Pier, Bay, and Island models, install the side outer glass panes.
- (h) If crushed glass is being used in the intake air channel, install it at this time.
- (i)
- (j) Install the remaining outer glass panes.

**Overview of Glass Panes – Category 1 Fireplaces**

<b><u>Type of Fireplace</u></b>	<b><u>Length (Nominal)</u></b>	<b><u># of Glass Panes</u></b>	<b><u>Glass Sizing</u></b>
1-Sided	5'	2	TBD
Pier	5'	6	TBD
Full Bay	5'	6	TBD
Island	5'	8	TBD
2-Sided	5'	4	TBD

**Check for the DaVinci Logo Before Installing the Glass**

The outer piece of glass has a DaVinci logo. Make sure it is on the lower right and is facing outwards.

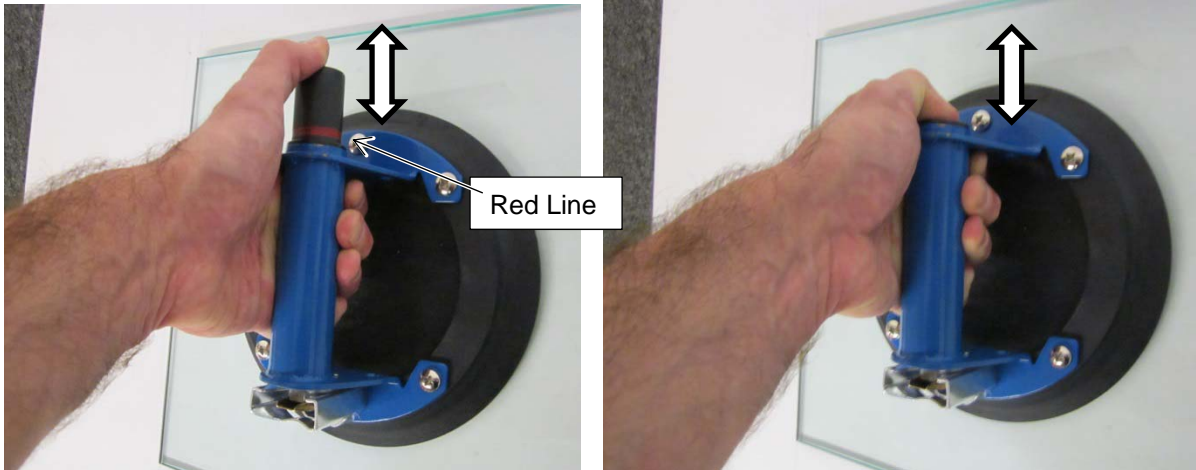


## Attaching the Suction Cups to the Glass Panes

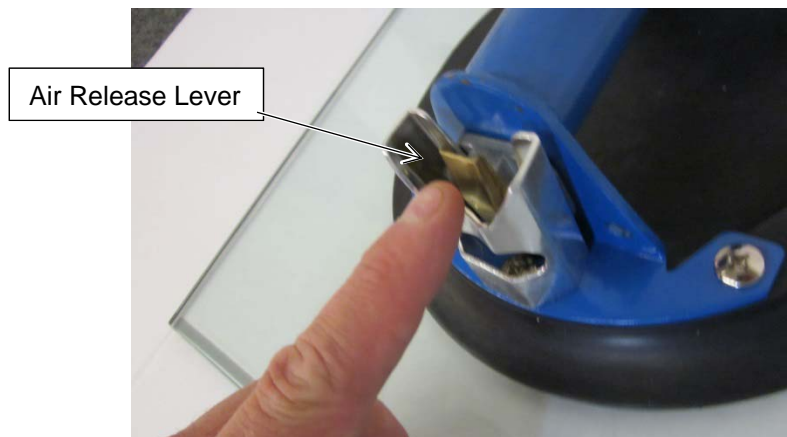
**NOTE:** Make sure the glass and suction cups are clean before attaching the suction cups. These surfaces must be clean and dry for the suction cups to work properly.

**NOTE:** The larger glass panes may require an additional helper. We recommend using 2 people with 4 suction cups when handling long glass panes (over 5' long, especially 20" tall version).

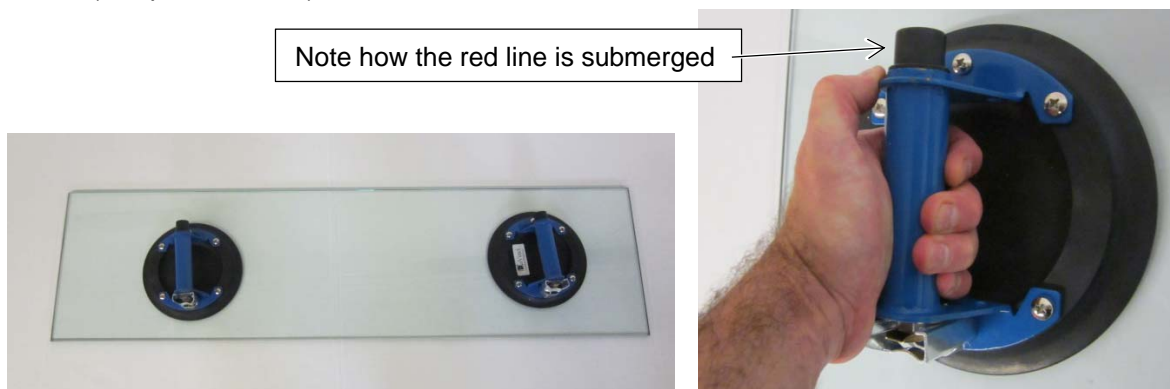
- (a) Place one suction cup onto the glass panel. Press the suction button repeatedly until the red line on the suction cup submerges into the handle. This indicates proper vacuum.



- (b) Repeat step "a" for the remaining suction cups. **NOTE:** The suction cups have a lever opposite the suction button. This lever releases air, allowing the suction cup to disengage from the glass. **DO NOT PRESS THIS LEVER UNLESS YOU ARE RELEASING THE SUCTION CUP.**



- (c) Verify the suction cups are properly aligned and the red line is submerged before lifting the glass (see photos below).



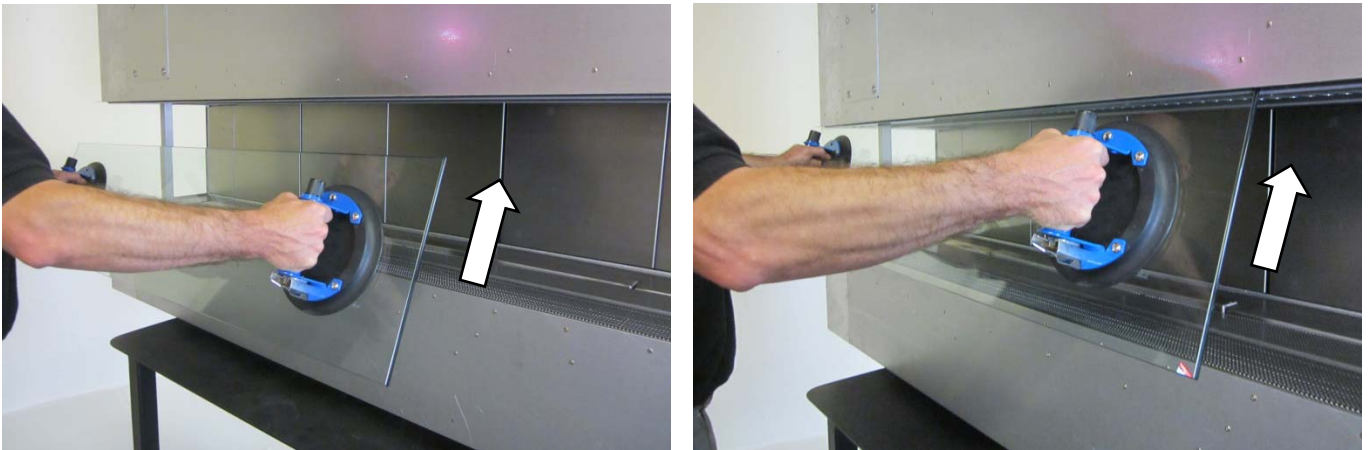
**Installing the Glass Panes Into the Fireplace**

Before installing the glass, make sure to measure it to verify it is the correct piece. Refer to the section "When to Install the Glass" on page 54 to determine when to install the glass.

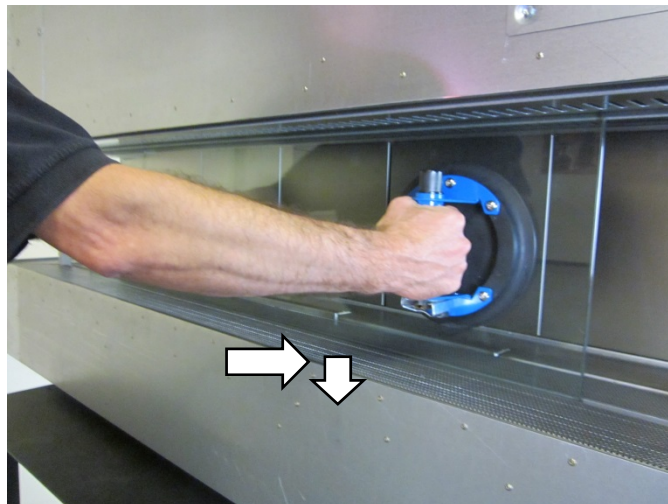
- (a) Before installing the glass pane, **verify the lower channel is free of crushed glass or any other debris**. Any debris left in this channel will cause an air lead and may damage the glass pane.



- (b) Lift the glass pane and insert it at an angle so the top edge inserts into the upper slot.



- (c) Swing the lower edge of the glass pane inwards until the lower edge can insert into the lower slot.





## Steps for Finalizing the Installation

1. Before installing the glass, purge the gas line. This allows gas to be detected once it enters the firebox.
2. Leak test all the gas joints.
3. Follow the instructions on page 54 for "When to Install the Glass".
4. Start the fireplace.
5. Check the air shutter following the directions below.

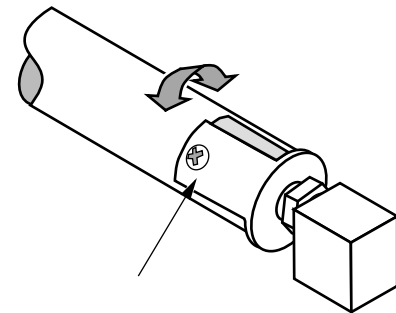
### Air Shutter Adjustment

There are several burners inside the fireplace (one burner for each foot of burner length). Each burner has its own air shutter. The air shutters are pre-adjusted at the factory for the fuel being used and probably do not need further adjustment. If the flames are sooty or blue and short, follow the directions below.

- a) Let the fireplace burn for 20 minutes.
- b) Check the flame height. Each center flame should be 9" to 12" tall at the highest point. Individual flames may have a different pattern, but the overall height should be similar from left to right.  
**NOTE:** The flames will look different when the crushed glass is installed. Make sure the crushed glass is removed directly above the cluster of burner holes (see "Crushed Glass Installation").
- c) If adjustment is needed, the fireplace will need to be shut off and allowed to cool. Remove the front outer piece of glass. Remove the media tray directly behind the glass to access each air shutter (see illustration below).

**FLAMES SOOTY** – Open the air shutter an additional 1/8" (3mm)

**FLAMES SHORT AND BLUE** – Close the air shutter an additional 1/8" (3mm)



Loosen this screw then rotate the air shutter to adjust the air shutter.

- d) Restore the fireplace to the correct configuration and verify the flames (step "a" and "b" above).

6. Give this manual to the home owner for future reference and fully explain operation of this fireplace.
7. Turn the appliance off and install the crushed glass.

## Crushed Glass Installation

Crushed glass is placed over the burners and center media trays. As an option, crushed glass may also be placed over the intake air channel media trays (the area between the two panes of glass). Use only ¼" crushed glass from Travis Industries and/or other media specifically approved by Travis Industries.

### Placing Crushed Glass on the Burner and Center Media Trays

**Glass Quantity = 1.5 Pounds (0.66 Kg) Per Linear Foot (300mm)**

**1 Level Cup (8 fl. oz.) (240ml) = 0.95 lbs.  
So...1 Slightly Rounded Cup = 1 lb.**



Determine the amount of glass needed for the fireplace being installed. Set this glass aside in portions to allow for an even amount of glass to be placed over the surface of the burner and media tray. **NOTE:** It is better to install too little glass than too much.

- (a) On Pier, Island, and Bay models, make sure the side inner glass is in place. Open up a bag of crushed glass and pour it evenly on to the burner and media trays. Use a brush or glove to evenly distribute the glass over the surface.

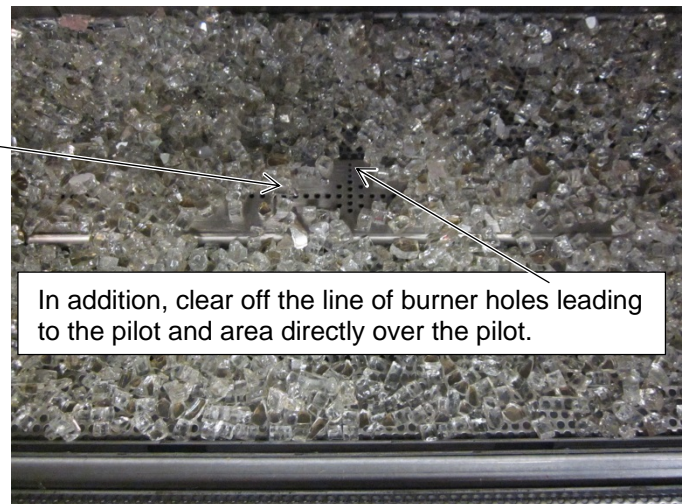


- (b) After distributing the glass, make sure to uncover the area over the center of each burner. There is a grouping of burner holes that should be left open. This makes the flames coalesce and create a taller flame pattern. On the burner next to the pilot, clear off the center burner holes and clear off the set of burner holes leading to the pilot. This open area allows the pilot ignite the burner quickly so the fireplace ignites properly.

**NOTE: Failure to clear this area will result in poor fireplace ignition. This may lead to delayed ignition "pops" or sooting.**



Clear off the ports on the center of each burner.



In addition, clear off the line of burner holes leading to the pilot and area directly over the pilot.

## Placing Crushed Glass in the Intake Channel (Between Panes of Glass) - OPTIONAL

**Glass Quantity = 0.75 Pound (0.33 Kg) Per Linear Foot (300mm)**

**Glass Quantity – Island, Pier, & Bay Ends = 1.25 (0.6 Kg) Pounds Per End**

**1 Level Cup (8 fl. oz.) (240ml) = 0.95 lbs.  
So...1 Slightly Rounded Cup = 1 lb.**



Determine the amount of glass needed for the fireplace being installed. Set this glass aside in portions to allow for an even amount of glass to be placed over the media trays in the intake channel. NOTE: It is better to install too little glass than too much.

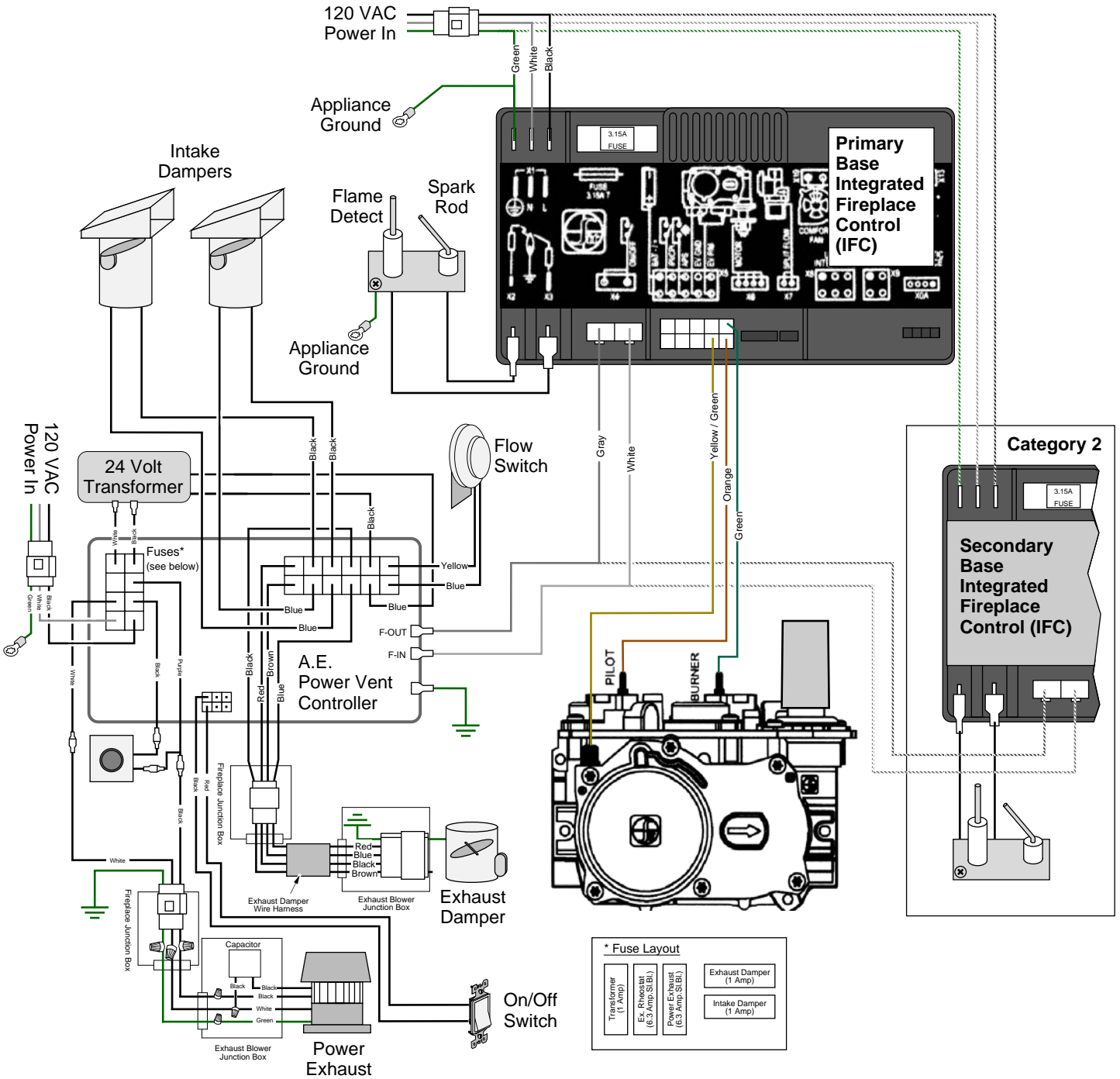
- (a) On Pier, Island, and Bay models, make sure the side outer glass is in place. Open up a bag of crushed glass and pour it evenly on to the media tray(s). Use a brush or glove to evenly distribute the glass over the surface.





## Wiring Diagram

**Caution:** Label all wires prior to disconnection when servicing controls. Wiring errors can cause improper and dangerous operation. Verify proper operation after servicing.



**Warning:** Do not disconnect or alter the flow switch wiring. This is a safety component that is critical to the safety of this fireplace.

## Before You Begin

---

- Read this entire manual before you use your new heater (especially the section "Safety Precautions" on pages 4 & 5). Failure to follow the instructions may result in property damage, bodily injury, or even death.

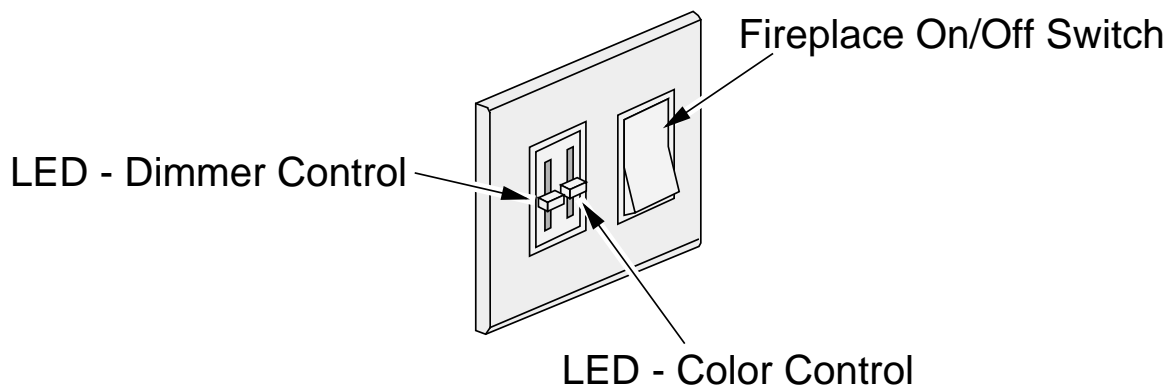
## Starting the Heater for the First Time

---

- **Condensation** may appear on the glass each time you start the heater - this is normal.
- **Blue Flames** will occur on the heater when it first comes on. After fifteen minutes the flames will turn a more realistic yellow and orange color.
- **NOTE: Whenever power is connected to the fireplace (e.g.: power outage or breaker re-set), the exhaust blower will turn on and run for approximately 6 minutes).**

## Location of Controls

---



## Fireplace On/Off Operation

---



**The fireplace takes approximately 30 seconds to turn on after the switch is turned to the "ON" position.**

Use the on/off switch to turn the fireplace on and off.

## LED Operation

---

Use the LED dimmer control to turn the LEDs on. As you move the slider upwards, the LEDs will become brighter.

The LED color control may be used to change the color of the LEDs. As you move the slider upwards, the LEDs will change color.

**NOTE:** In certain color positions, the LED lights may emit a slight flickering as it moves between colors. This anomaly is normal – simply move the color control to suit your preference.

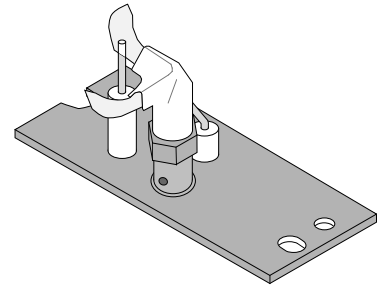
**DANGER HIGH VOLTAGE:** Disconnect power before attempting maintenance or repair.

### Yearly Service Procedure

- Failure to inspect and maintain the fireplace may lead to improper combustion and a potentially dangerous situation. We recommend the following procedures be done by a qualified technician.

**THIS FIREPLACE IS NOT USER SERVICEABLE:** Contact your dealer for servicing.

1. Inspect the pilot flame. It should touch approximately 3/8" of the top of the flame sensor. If it does not, contact your dealer for service.
2. Shut off gas to the fireplace and let it cool for 15 minutes. Remove the glass (see page 54).
3. Remove crushed glass. If excessive sooting is found, the fireplace will require adjustment. Contact your dealer.
4. Inspect the burner and remove any debris.
  - Make sure the burner is not warped, cracked, or damaged.
  - Check the firebox and area around the pilot to make sure there is no warping or damage.
  - If any problem is found, discontinue use and contact your dealer for service.
5. Replace the crushed glass. Clean and replace the glass (see Glass Cleaning on page 62). If the glass is damaged, replace. Make sure the gasket along the perimeter of the glass contacts the face of the firebox and forms an air-tight seal. If it does not, re-align or replace the gasket to insure an air-tight seal.
6. Inspect the area behind the access door. Clean if necessary. Check the gas control valve and the gas lines. If damage is found, discontinue use and contact your dealer for service. Clean the air channels, ducts, and blower (if applicable).
7. Start the main burner. After 15 minutes the flames should be orange/yellow and not touch the top of the firebox. If the pilot or main burners do not burn correctly, contact your dealer for service. Monitor blower operation.
8. Remove any debris or vegetation near the vent termination. Contact your dealer if any sooting or deterioration is found near the vent termination.

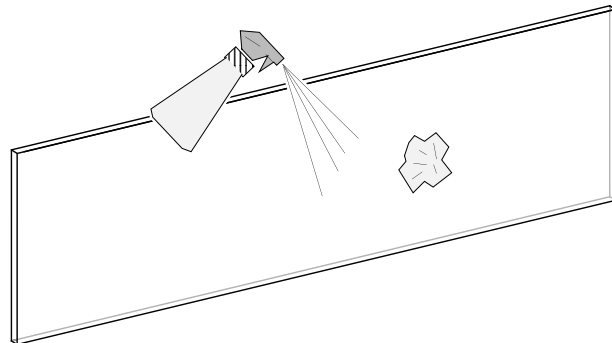


### Glass Cleaning

**The appliance must be completely cool before cleaning the glass.**

The glass may be cleaned with a non-abrasive cleaner. To clean the inside of the glass, remove the glass, place it on a non-scratching surface, and clean the inside surface.

**WARNING:** do not operate the fireplace without the glass in place.



### Replacement Parts

**Caution:** Use only Travis Industries replacement parts. Do not use substitute materials.

**Warning:** Do not operate appliance with the glass front removed, cracked, or broken. Replacement of the glass should be done by a licensed or qualified service person.

Contact your local Travis Industries Dealer for a Replacement Parts

# Limited 7 Year Warranty

63

Register your TRAVIS INDUSTRIES, INC. Limited 7 Year Warranty online at [traviswarranty.com](http://traviswarranty.com), or complete the enclosed Warranty card and mail it within **ten (10)** days of the appliance purchase date to: TRAVIS INDUSTRIES, INC., 12521 Harbour Reach Drive SW, Mukilteo, WA 98275. TRAVIS INDUSTRIES, INC. warrants this gas appliance (appliance is defined as the equipment manufactured by Travis Industries, Inc.) to be defect-free in material and workmanship to the original purchaser from the date of purchase as follows:

**Check with your dealer in advance for any costs to you when arranging a warranty call.  
Mileage or service charges are not covered by this warranty. This charge can vary from store to store.**

Component	Years 1 & 2 Parts & Labor	Years 3 Through 5 Parts & Labor	Years 6 & 7 Parts Only
<b>Burner Assembly</b> Burner Pan Assembly, Air Shutter Assembly, Main Burner Orifice	✓		
<b>Electrical Assembly</b> Wiring Harness, Snap Discs, Rheostat Speed Control, Exhaust Blower, Dampers	✓		
<b>Gas Control Assembly</b> Adjustable control valve, fireplace controller, pilot assembly and pilot wiring	✓		
<b>Glass</b> Glass (breakage from thermal shock)	✓		
<b>Ceramic Logs</b> Log Set, Embers	✓		
<b>Gold, Nickel &amp; Copper Plating</b> Face & Door (see "Conditions and Exclusions" # 9)	✓		
<b>Accessories</b> Firebacks, Power Heat Ducts, Andirons, etc...	✓		
<b>One-Way Freight Allowance</b> One-way freight allowance on pre-authorized repair done at factory is covered.	✓	✓	
<b>Firebox Assembly</b> Adjustable Air Restrictor, Glass Attachment Mechanism	✓	✓	✓

**EXCLUDED COMPONENTS:**

Paint, Gasketing, and Accent Light Bulbs

**CONDITIONS & EXCLUSIONS**

- This new gas appliance must be installed by a qualified gas appliance technician. It must be installed, operated, and maintained at all times in accordance with the instructions in the Owner's Manual. Any alteration, willful abuse, accident, neglect, or misuse of the product shall nullify this warranty.
- This warranty is nontransferable, and is made to the ORIGINAL purchaser, provided that the purchase was made through an authorized TRAVIS dealer.
- Discoloration and some minor expansion, contraction, or movement of certain parts and resulting noise, is normal and not a defect and, therefore, not covered under warranty. The installer must ensure the appliance is burning as per the rating tag at the time of installation. Over-firing (operation above the listed BTU rate) of this appliance can cause serious damage and will nullify this warranty.
- The warranty, as outlined within this document, does not apply to the chimney components or other Non-Travis accessories used in conjunction with the installation of this product. If in doubt as to the extent of this warranty, contact your authorized TRAVIS retailer before installation.
- Travis Industries will not be responsible for inadequate performance caused by environmental conditions such as nearby trees, buildings, roof tops, wind, hills or mountains or negative pressure or other influences from mechanical systems such as furnaces, fans, clothes dryers, etc.
- This Warranty is void if:
  - The unit has been operated in atmospheres contaminated by chlorine, fluorine or other damaging chemicals.
  - The unit is subject to submersion in water or prolonged periods of dampness or condensation.
  - Any damage to the unit, combustion chamber, heat exchanger or other components due to water, or weather damage which is the result of, but not limited to, improper chimney/venting installation.
- Exclusions to this 7 Year Warranty include: injury, loss of use, damage, failure to function due to accident, negligence, misuse, improper installation, alteration or adjustment of the manufacturer's settings of components, lack of proper and regular maintenance, damage incurred while the appliance is in transit, alteration, or act of God.
- This 7 Year warranty excludes damage caused by normal wear and tear, such as paint discoloration or chipping, worn or torn gasketing, corroded or cracked logs, embers, etc. Also excluded is damage to the unit caused by abuse, improper installation, modification of the unit, drilling of the orifices, or the use of fuel other than that for which the unit is configured. Units are shipped for natural gas and must be converted to propane using the included conversion kit. Confirm fuel configuration with your installer.
- Damage to gold or nickel surfaces caused by fingerprints, scratches, melted items-, or other external sources left on the gold or nickel from the use of cleaners other than denatured alcohol is not covered in this warranty.
- TRAVIS INDUSTRIES, INC. is free of liability for any damages caused by the appliance, as well as inconvenience expenses and materials. Incidental or consequential damages are not covered by this warranty. In some states, the exclusion of incidental or consequential damage may not apply.
- This warranty does not cover any loss or damage incurred by the use or removal of any component or apparatus to or from the gas appliance without the express written permission of TRAVIS INDUSTRIES, INC. and bearing a TRAVIS INDUSTRIES, INC. label of approval.
- Any statement or representation of TRAVIS products and their performance contained in TRAVIS advertising, packaging literature, or printed material is not part of this 7 year warranty.
- This warranty is automatically voided if the appliance's serial number has been removed or altered in any way. If the appliance is used for commercial purposes, it is excluded from this warranty.
- No dealer, distributor, or similar person has the authority to represent or warrant TRAVIS products beyond the terms contained within this warranty. TRAVIS INDUSTRIES, INC. assumes no liability for such warranties or representations.
- Travis Industries will not cover the cost of the removal or re-installation of hearths, facing, mantels, venting or other components.
- If for any reason any section of this warranty is declared invalid, the balance of the warranty remains in effect and all other clauses shall remain in effect.
- THIS 7 YEAR WARRANTY IS THE ONLY WARRANTY SUPPLIED BY TRAVIS INDUSTRIES, INC., THE MANUFACTURER OF THE APPLIANCE. ALL OTHER WARRANTIES, WHETHER EXPRESS OR IMPLIED, ARE HEREBY EXPRESSLY DISCLAIMED AND PURCHASER'S RECOURSE IS EXPRESSLY LIMITED TO THE WARRANTIES SET FORTH HEREIN.**

**IF WARRANTY SERVICE IS NEEDED:**

- If you discover a problem that you believe is covered by this warranty, you **MUST REPORT** it to your TRAVIS dealer **WITHIN 30 DAYS**, giving them proof of purchase, the purchase date, and the model name and serial number.
- Travis Industries has the option of either repairing or replacing the defective component.
- If your dealer is unable to repair your appliance's defect, he may process a warranty claim through TRAVIS INDUSTRIES, INC., including the name of the dealership where you purchased the appliance, a copy of your receipt showing the date of the appliance's purchase, and the serial number on your appliance. At that time, you may be asked to ship your appliance, freight charges prepaid, to TRAVIS INDUSTRIES, INC. TRAVIS INDUSTRIES, INC., at its option, will repair or replace, free of charge, your TRAVIS appliance if it is found to be defective in material or workmanship within the time frame stated within this 7 year warranty. TRAVIS INDUSTRIES, INC. will return your appliance, freight charges (years 1 to 5) prepaid by TRAVIS INDUSTRIES, INC., to your regional distributor, or dealership.
- Check with your dealer in advance for any costs to you when arranging a warranty call. Mileage or service charges are not covered by this warranty. This charge can vary from store to store.

<a href="#">Air Intake Installation (continued)</a>	39
<a href="#">Air Intake Installation</a>	38
<a href="#">Air Intake Requirements</a>	34
<a href="#">Air Shutter Adjustment</a>	57
<a href="#">Altitude Considerations</a>	41
<a href="#">Approved Vent Configurations</a>	42
<a href="#">Approved Vent</a>	41
<a href="#">BTU Specifications</a>	6
<a href="#">Clearances</a>	16
<a href="#">Dimensions</a>	6
<a href="#">Drywall Installation</a>	48
<a href="#">Electrical Connection</a>	35
<a href="#">Exhaust Box Mounting</a>	45
<a href="#">Facing Requirements</a>	48
<a href="#">Fireplace Placement Requirements</a>	16
<a href="#">Fuel</a>	27
<a href="#">Gas Inlet Pressure</a>	27
<a href="#">Gas Line Connection</a>	27
<a href="#">Gas Line Location</a>	28
<a href="#">Gas Line Requirements</a>	21
<a href="#">Hearth Requirements</a>	48
<a href="#">Installation Options</a>	6
<a href="#">Mantel Requirements</a>	49
<a href="#">MANUFACTURER REQUIREMENTS</a>	15
<a href="#">Massachusetts Requirements</a>	15
<a href="#">Maximum Vent Run and Rise</a>	42
<a href="#">Mounting the Junction Box (Switch and Rheostat)</a>	29
<a href="#">Packing List</a>	13
<a href="#">Raised Fireplaces</a>	16
<a href="#">Recommended Installation Procedure</a>	14
<a href="#">Requirements for the Commonwealth of Massachusetts</a>	15
<a href="#">Rheostat Adjustment</a>	43
<a href="#">Steps for Finalizing the Installation</a>	57
<a href="#">Termination Requirements</a>	44
<a href="#">Vent Clearances</a>	41
<a href="#">Vent Installation</a>	41
<a href="#">Vent Requirements</a>	40
<a href="#">Wiring the Exhaust Blower (continued)</a>	32
<a href="#">Wiring the Exhaust Blower</a>	30