



TIMELESS NORWEGIAN CRAFT

...built in Maine

GAS
PRODUCTS

CONTENTS

JØTUL GF 200 DV II LILLEHAMMER	page 8
JØTUL GF 200 DV IPI LILLEHAMMER	page 9
JØTUL GF 300 DV/BV ALLAGASH	page 10
JØTUL GF 300 DV IPI ALLAGASH	page 11
JØTUL GF 400 DV/BV SEBAGO	page 12
JØTUL GF 400 DV IPI SEBAGO	page 13
JØTUL GF 500 DV PORTLAND	page 14
JØTUL GF 500 DV IPI PORTLAND	page 15
JØTUL GF 160 DV IPI	page 16
JØTUL GF 305 DV IPI	page 18
JØTUL GF 370 DV II	page 20
JØTUL GI 450 DV II IPI KATAHDIN	page 22
JØTUL GI 535 DV IPI NEW HARBOR	page 24
JØTUL GI 635 DV IPI NEWCASTLE	page 24
HEATING CAPACITY BY ZONE	page 32
TECHNICAL SPECIFICATIONS	page 33

Jøtul has a policy of constant improvement and upgrading. Products therefore may differ in specification, design, material or dimensions at any time without prior notice. Some settings of the photographs are for aesthetic purpose only and may not comply with installation requirements.



🇳🇴 TIMELESS NORWEGIAN CRAFT

...built in Maine

Jøtul's cast iron stoves and fireplaces have been crafted in Norway since 1853. For more than 160 years Jøtul has worked at mastering the art of fighting the cold.

In 2015 Jøtul expanded its operation in Maine to include production for the North American market. This is the background for our current position as market leader and the preferred choice for customers who want the best all over the world.



CAST IRON – PREFERRED BY GENERATIONS

The choice to produce our products from cast iron is exclusively based on the material's extreme high quality and durability. When operated properly gas stoves from Jøtul do not deform, the doors stay in place, and hinges and closing mechanisms remain reliable even after long-term use. In addition, spare parts extend the longevity of a Jøtul product further.

PURE HEAT FROM NORWAY

Norway is known around the world for their focus towards sustainability and the environment and we have the strictest demands regarding emissions in the world. This is why Jøtul strives to maximize fuel utilization and optimize the heating effect from all their products. This is good news for your wallet and the environment.



AWARD-WINNING TIMELESS DESIGN

Jøtul products represent functional, modern design. They are innovative, yet stand the test of time beyond short-term trends. At Jøtul, we are convinced that form should follow function, and that good design is more than meets the eye. Several of our products have been recognized with design awards.





JØTUL GF 370 DV II

MODERN DESIGN

Based on the award winning Jøtul F 370 wood stove, the Jøtul GF 370 DV II offers the same contemporary cast iron styling in a freestanding direct vent stove.





A modern interior scene featuring two contemporary chairs with light-colored upholstery and metal frames. One chair is a classic-style chair with a checkered blanket draped over it, and the other is a more modern, low-profile chair. A large, textured rug is in the foreground. The background is a large window offering a view of a mountain valley with a river and a forested area under a cloudy sky.

JØTUL GF 500 DV IPI PORTLAND

MODERN CLASSIC DESIGN

A descendent of our signature best-selling Jøtul F 500 Oslo wood stove, the Jøtul GF 500 DV IPI Portland offers the same whole house heating capabilities at the push of a button.

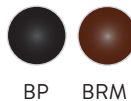


JØTUL GF 200 DV II LILLEHAMMER

Designed in collaboration with world-renowned designers and our well-regarded in-house engineers, the Jøtul GF 200 DV II Lillehammer brings into your home a touch of Scandinavian charm and warmth reminiscent of the 1994 Winter Olympics in Lillehammer, Norway.

HEATING CAPACITY: Up to 600 sqft
MIN/MAX HEAT INPUT: 11,400-20,000 (NG)
8,450-18,000 (LP)
VENTING: Direct vent (4" x 6 5/8")
WEIGHT APPROX: 185 lbs.
DIMENSIONS (HXWXD): 25" x 22 3/4" x 17 1/4"

ACCESSORIES: Long leg kit, brick panel kit, wall thermostat, remote control, floor bracket kit, and blower fan kit





JØTUL GF 200 DV IPI LILLEHAMMER

One of Jøtul's best selling small freestanding gas stoves, the Jøtul GF 200 DV Lillehammer, now features state of the art IPI combustion technology. Fueled by the new pan style JøtulBurner™ and accented with a handcrafted 4 piece log set, the Jøtul GF 200 DV IPI Lillehammer is the perfect heater for your camp or small home.

HEATING CAPACITY: Up to 600 sqft
MIN/MAX HEAT INPUT: 11,000-20,000 (NG)
9,000-18,000 (LP)
VENTING: Direct vent (5" x 8")
WEIGHT APPROX: 185 lbs.
DIMENSIONS (HxWxD): 25" x 22 3/4" x 17 1/4"

ACCESSORIES: Long leg kit, brick panel kit, wall thermostat, remote control, floor bracket kit, and blower fan kit



BP BRM



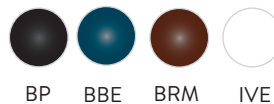


JØTUL GF 300 DV/BV ALLAGASH

As rugged as the wilderness waterway that bears its name, world-renowned designers and our team of in-house engineers made sure that our Jøtul GF 300 Allagash presents the perfect union of high efficiency and cast iron beauty.

HEATING CAPACITY: Up to 1,000 sqft
 MIN/MAX HEAT
 INPUT (DV): 14,000-26,000 (NG)
 14,000-26,000 (LP)
 MIN/MAX HEAT
 INPUT (BV): 15,000-26,000 (NG)
 13,500-26,000 (LP)
 VENTING: Direct vent (4" x 6 5/8") B vent (4")
 WEIGHT APPROX: 200 lbs.
 DIMENSIONS (HXWXD): 28" x 22 3/4" x 17 1/2" (DV)
 DIMENSIONS (HXWXD): 27 3/4" x 22 1/2" x 18 3/4" (BV)

ACCESSORIES: Short leg kit, brick panel kit, wall thermostat, remote control, floor bracket kit, blower fan kit, top filler kit (BV only)



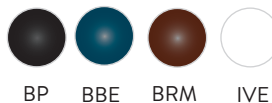


JØTUL GF 300 DV IPI ALLAGASH

The Jøtul GF 300 DV IPI Allagash combines modern classic cast iron design with state of the art combustion technology. Fueled by the new JøtulBurner™, the Jøtul GF 300 presents the perfect union of high efficiency and timeless design.

HEATING CAPACITY: Up to 1,000 sqft
 MIN/MAX HEAT INPUT: 15,000-26,000 (NG)
 12,000-24,000 (LP)
 VENTING: Direct vent (4" x 6 5/8")
 WEIGHT APPROX: 200 lbs.
 DIMENSIONS (HXWXD): 28" x 22 3/4" x 17 1/2"

ACCESSORIES: Multifunction Proflame 2 remote, flame modulation kit, wall thermostat, top firing accent light, blower fan kit, reversible brick panel kit, and short leg kit





JØTUL GF 400 DV/BV SEBAGO

World-renowned designers, in collaboration with our well-regarded in-house engineers, created this Vesta Design and Technology Award finalist with beauty and high efficiency operation in mind. With a hand crafted log set and double door design, this stove demonstrates why Jøtul is widely recognized as the cast iron leader in quality and craftsmanship.

HEATING CAPACITY(DV): Up to 1,400 sqft
 MIN/MAX HEAT INPUT (DV): 18,000-32,000 (NG)
 16,000-32,000 (LP)

HEATING CAPACITY(BV): Up to 1,600 sqft
 MIN/MAX HEAT INPUT (BV): 22,000-40,000 (NG)
 20,000-40,000 (LP)

VENTING: Direct vent (4" x 6 5/8") B vent (4")

WEIGHT APPROX: 250 lbs.

DIMENSIONS (HxWxD): 28 1/2" x 26 1/2" x 20 1/2" (DV)

DIMENSIONS (HxWxD): 28 1/2" x 26 1/2" x 24" (BV)

ACCESSORIES: Brick panel kit, wall thermostat, remote control, floor bracket kit, blower fan kit, and short leg kit



BP BBE BRM



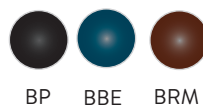


JØTUL GF 400 DV IPI SEBAGO

Beauty and efficient operation come alive together with the Jøtul GF 400 DV IPI Sebago. Handsomely detailed in cast iron, this stove's nautical styling recalls the coves and shores of Lake Sebago, locked amid the rock and pines of Maine.

HEATING CAPACITY: Up to 1,400 sqft
 MIN/MAX HEAT INPUT: 17,000-32,000 (NG)
 14,000-30,000 (LP)
 VENTING: Direct vent (4" x 6 5/8")
 WEIGHT APPROX: 260 lbs.
 DIMENSIONS (HXWXD): 28 1/2" x 26 1/2" x 20 1/2"

ACCESSORIES: Multifunction Proflame 2 remote, flame modulation kit, wall thermostat, top firing accent light, blower fan kit, reversible brick panel kit, and short leg kit





JØTUL GF 500 DV PORTLAND

A descendent of our signature best-selling Jøtul F 500 Oslo wood stove, the Jøtul GF 500 DV Portland offers the same whole house heating capabilities at the push of a button. Fueled by the new dual ceramic JøtulBurner™ III, the Jøtul GF 500 presents the perfect union of high efficiency and timeless cast iron design.

HEATING CAPACITY: Up to 1,600 sqft
MIN/MAX HEAT INPUT: 12,800-40,000 (NG)
14,000-39,500 (LP)
VENTING: Direct vent (4" x 6 5/8")
WEIGHT APPROX: 335 lbs.
DIMENSIONS (HXWXD): 30" x 28 1/2" x 23"

ACCESSORIES: Reversible brick panel kit, remote control, wall thermostat, floor bracket kit, blower fan kit, and short leg kit



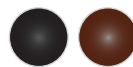


JØTUL GF 500 DV IPI PORTLAND

A descendent of our signature best-selling Jøtul F 500 Oslo wood stove, the Jøtul GF 500 DV IPI Portland offers the same whole house heating capabilities at the push of a button. Fueled by the new dual ceramic JøtulBurner™ III, the Jøtul GF 500 presents the perfect union of high efficiency and timeless cast iron design.

HEATING CAPACITY: Up to 1,600 sqft
MIN/MAX HEAT INPUT: 12,800-40,000 (NG)
14,000-39,500 (LP)
VENTING: Direct vent (4" x 6 5/8")
WEIGHT APPROX: 335 lbs.
DIMENSIONS (HXWXD): 30" x 28 1/2" x 23"

ACCESSORIES: Multifunction Proflame 2 remote, reversable brick panel kit, top firing accent light, flame modulation kit, wall thermostat, floor bracket kit, blower fan kit, and short leg kit



BP BRM





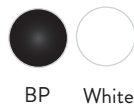
JØTUL GF 160 DV IPI

Inspired by the immensely popular Jøtul GF 370, the compact Jøtul GF 160 DV IPI offers the same spectacular three-sided fire view, but with a truly unique tripod base. A modern design marvel, the Jøtul GF 160 DV IPI strikes the perfect balance between form and functionality. Standard features include accent light, blower fan, and remote control.

Choice of required media includes Traditional Logs, River Rocks, Tumbled Stones, Black Glass, and White Starfire Glass.

HEATING CAPACITY: Up to 800 sqft
 MIN/MAX HEAT INPUT: 15,800-24,000 (NG)
 19,800-24,000 (LP)
 VENTING: Direct vent (4" x 6 5/8")
 WEIGHT APPROX: 260 lbs.
 DIMENSIONS (HXWXD): 35 1/2" x 17 3/4" x 17 3/4"

ACCESSORIES: Skamol or black reflective glass liner



JØTUL GF 160 DV IPI BURNER MEDIA & LINER OPTIONS



Traditional Logs



River Rocks



Tumbled Stones



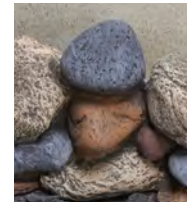
White Starfire Glass



Black Glass



Traditional Logs



River Rocks



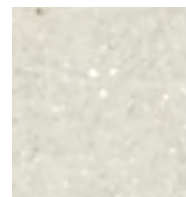
Tumbled Stones



Black Glass



White Starfire Glass



Skamol Panel Kit



Black Reflective
Glass Panel Kit

Easily transform your Jøtul GF 160 DV into a work of art with our choice of 5 burner media and liner options.

Choose from Traditional Logs burner media , River Rocks burner media, Tumbled Stones burner media, Black or White Starfire Glass burner media, Skamol Panel Kit or Black Reflective Glass Panel Kit.

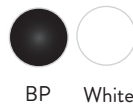


JØTUL GF 305 DV IPI

The Jøtul Group has earned a worldwide reputation for producing award winning cast iron stoves. Based on the Jøtul F 305 woodstove, the Jøtul GF 305 DV IPI offers the same contemporary cast iron styling in a freestanding direct vent gas stove. Smooth cast iron lines and sleek curves frame an extra-large fire view that only Jøtul can produce. Fueled by the new ceramic JøtulBurnerIII the Jøtul GF 305 presents the perfect union of high efficiency and modern cast iron design. Choice of required media includes Traditional Logs, or Beach Fire.

HEATING CAPACITY: Up to 1,000 sqft
MIN/MAX HEAT INPUT: 18,707-28,000 (NG)
22,370-28,000 (LP)
VENTING: Direct vent (4" x 6 5/8")
WEIGHT APPROX: 257 lbs.
DIMENSIONS (HXWXD): 33 3/8" x 22" x 16 1/4"

ACCESSORIES: Black fluted or reflective glass liner, multifunction Proflame 2 remote, flame modulation control kit, top firing accent light kit, and blower kit





JØTUL GF 305 DV IPI BURNER MEDIA & LINER OPTIONS



Beach Fire
Burner Media



Traditional Logs
Burner Media



Black Reflective
Glass Panel Kit



Black Fluted
Panel Kit

Easily transform your Jøtul GF 305 DV IPI into a work of art with our choice of media and liner options.

Choose from Traditional Log burner media, Beach Fire burner media, Black Reflective Glass Panel Kit, or Black Fluted Panel Kit





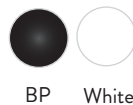
JØTUL GF 370 DV II

With its modern design and elegant three-sided fire view, the Jøtul GF 370 DV II utilizes the new JøtulBurner™ III to create an exceptional fire view from any angle. Standard features include accent light, blower fan, skamol firebox liner, and remote control.

Choice of required media includes Traditional Logs, River Rocks, Tumbled Stones, Black Glass, and White Starfire Glass

HEATING CAPACITY: Up to 1,000 sqft
 MIN/MAX HEAT INPUT: 18,170-28,000 (NG)
 20,750-24,000 (LP)
 VENTING: Direct vent (4" x 6 5/8")
 WEIGHT APPROX: 310 lbs.
 DIMENSIONS (HxWxD): 45 1/2" x 18 1/4" x 18 3/4"

ACCESSORIES: Black reflective glass liner



JØTUL GF 370 DV II BURNER MEDIA & LINER OPTIONS



Traditional Logs



River Rocks



Tumbled Stones



White Starfire Glass



Black Glass



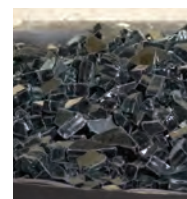
Traditional Logs



River Rocks



Tumbled Stones



Black Glass



White Starfire Glass



Black Reflective
Glass Panel Kit

Easily transform your Jøtul GF 370 DV II into a work of art with our choice of 5 burner media options and a glass panel kit. Choose from Traditional Logs, River Rocks, Tumbled Stones, Black or White Starfire Glass media or Black Reflective Glass Panel Kit.

JØTUL GI 450 DV II IPI KATAHDIN

Our classic cast iron design with furnace rated direct vent heating performance make the Jøtul GI 450 DV II IPI Katahdin simple to install and easy to use. Featuring IPI electronic ignition, battery backup, blower fan, and top firing accent lights, the GI 450 DV II IPI Katahdin is the perfect combination of technology and timeless cast iron design.

HEATING CAPACITY: Up to 1,400 sqft
 MIN/MAX HEAT INPUT: 23,750-33,000 (NG)
 21,000-33,000 (LP)
 VENTING: Direct vent co-linear 3"x3"
 WEIGHT APPROX: 140 lbs.

ACCESSORIES: Wall thermostat, remote control, simple steel surround, trimable steel surround, two brick panel kits

Cast iron surround

40" W x 28" H

40" W x 30" H w/Plinth

Optional steel wide surround (for use with cast iron)

47 3/4" W x 34" H

Simple steel surround

40" W x 30" H

Trimable surround

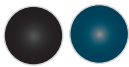
40" W x 30" H



Jøtul GI 450 DV II IPI Katahdin classic cast iron surround (40"W x 30"H)



Jøtul GI 450 DV II IPI Katahdin simple steel surround (40"W x 30"H)



BP BBE



Chimney Red Brick Panel Kit



Boston Buff Beige Brick Panel Kit



Standard Decorative Cast Iron Panel Kit



JØTUL GI 535 DV IPI NEW HARBOR

Inspired by the quaint coastal town of New Harbor Maine, the Jøtul GI 535 DV IPI New Harbor combines time honored craftsmanship with modern design. Featuring IPI electronic ignition, dual ceramic Jøtulburner™III, battery backup, Multifunction Proflame 2 remote with flame control, blower fan, and top firing accent lights, the Jøtul GI 535 DV IPI New Harbor is the perfect fit for any medium size fireplace.

HEATING CAPACITY: Up to 1,400 sqft
MIN/MAX HEAT INPUT: 11,500-32,000 (NG)
11,000-31,500 (LP)
VENTING: Direct vent co-linear 3"x3"
WEIGHT APPROX: 156 lbs.

ACCESSORIES: Three interior panel kits

Cast iron overlay
30 3/4" W x 21 5/8" H
Rectangle steel overlay
30 3/4" W x 21 1/8" H
Arch steel overlay
30 3/4" W x 22 5/8" H
3 - Sided backer frame sizes
36" W x 24 1/4" H
38" W x 28" H
40" W x 30" H
3 - Sided trimable backer frame size
46" W x 34" H
4 - Sided trimable backer frame size
46" W x 34" H

Overlay Color Options

Cast Iron

Steel Powder Coat



BP

BRM

BRONZE

JØTUL IRON

MATTE BLACK

JØTUL GI 635 DV IPI NEWCASTLE

The Jøtul GI 635 DV IPI Newcastle gas insert is the perfect blend of modern cast iron and traditional charm. Featuring IPI electronic ignition, dual ceramic Jøtulburner™III, battery backup, Multifunction Proflame 2 remote with flame control, blower fan, and top firing accent lights, the Jøtul GI 635 DV IPI Newcastle will easily turn your hearth into the centerpiece of your home.

HEATING CAPACITY: Up to 1,600 sqft
MIN/MAX HEAT INPUT: 10,000-40,000 (NG)
8,700-40,000 (LP)
VENTING: Direct vent co-linear 3"x3"
WEIGHT APPROX: 172 lbs.

ACCESSORIES: Three interior panel kits

Cast iron overlay
34 3/4" W x 25 5/8" H
Rectangle steel overlay
34 3/4" W x 25 1/8" H
Arch steel overlay
30 3/4" W x 26 15/16" H
3 - Sided backer frame sizes
40" W x 28 1/4" H
42" W x 31" H
46" W x 34" H
3 - Sided trimable backer frame size
47 3/4" W x 38" H
4 - Sided trimable backer frame size
47 3/4" W x 38" H

Overlay Color Options

Cast Iron

Steel Powder Coat



BP

BRM

BRONZE

JØTUL IRON

MATTE BLACK



JØTUL GI 535/635 OVERLAY & LINER OPTIONS



Cast iron overlay with steel backer frame.
Shown in Majolica Brown Enamel with
Traditional Red Brick Panel Kit



Cast iron overlay with steel backer frame.
Shown in Matte Black Paint with Brownstone
Brick Panel Kit



Rectangle steel overlay with steel backer frame.
Shown in Bronze with Reflective Panel Kit



Rectangle steel overlay with steel backer frame.
Shown in Jøtul Iron with Reflective Panel Kit



Rectangle steel overlay with steel backer frame.
Shown in Matte Black with Reflective Panel Kit



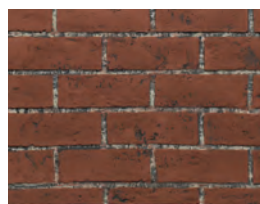
Arch steel overlay with steel backer frame.
Shown in Bronze with Brownstone
Brick Panel Kit



Arch steel overlay with steel backer frame.
Shown in Jøtul Iron with Reflective Panel Kit



Arch steel overlay with steel backer frame.
Shown in Matte Black with Traditional Red
Brick Panel Kit



Traditional Red Brick
Panel Kit



Brownstone Brick
Panel Kit



Black Reflective Glass
Panel Kit





JØTUL GI 535 DV IPI NEW HARBOR

The GI 535 DV IPI New Harbor combines time honored craftsmanship with modern design creating a warm and welcome centerpiece for any living space. Shown in Matte Black Paint cast iron overlay with optional Traditional Red Brick panel kit and steel backer panel..



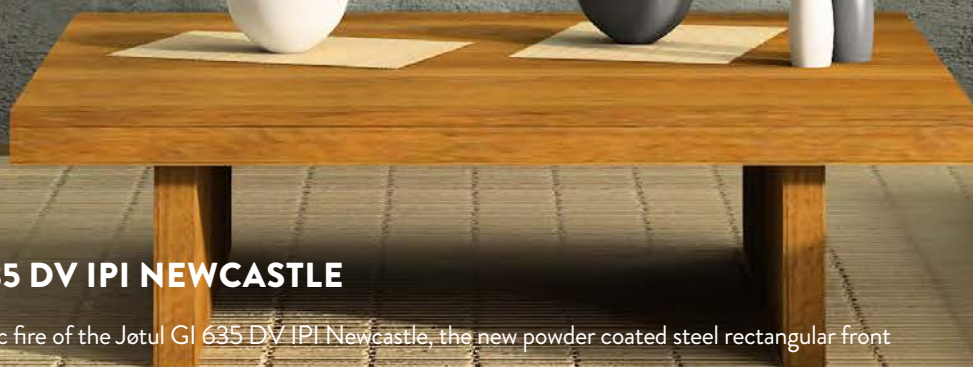
JØTUL GI 635 DV IPI NEWCASTLE

The Jøtul GI 635 DV IPI Newcastle is a perfect blend of classic cast iron and modern design. Quickly turn any fireplace into a modern work of art that will heat your home with a push of a button. Shown in Majolica Brown Enamel cast iron overlay with optional Traditional Red Brick panel kit.



JØTUL GI 535 DV IPI NEW HARBOR

The simple, but elegant, powder coated steel rectangular front will transform the Jøtul GI 535 DV IPI New Harbor into a modern focal point of your living area. Shown in Bronze powder coat with optional Black Reflective Glass liner and steel backer panel.



JØTUL GI 635 DV IPI NEWCASTLE

Framing the realistic fire of the Jøtul GI 635 DV IPI Newcastle, the new powder coated steel rectangular front will easily blend in with any decor. Shown in Jøtul Iron powder coat with optional Black Reflective Glass liner and steel backer panel.



JØTUL GI 535 DV IPI NEW HARBOR

The delicate arch of the new powder coated steel front for the Jøtul GI 535 DV IPI New Harbor allows for an uninterrupted view of the natural glowing fire. Shown in Bronze powder coat with optional Brownstone Brick liner and black backer panel.



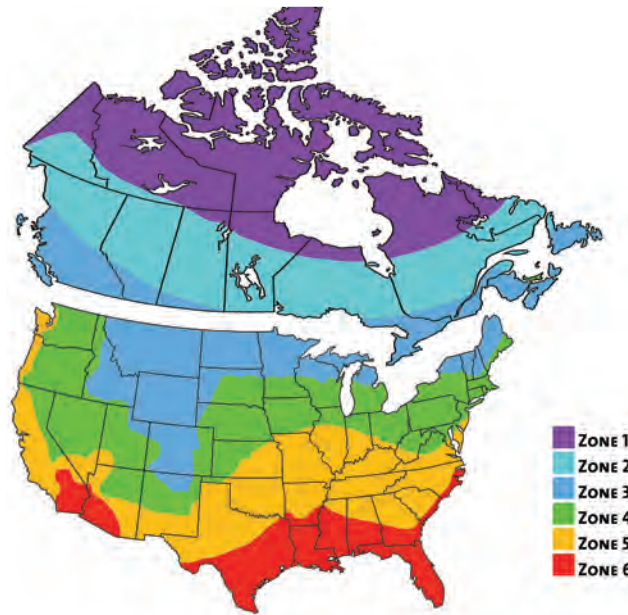
JØTUL GI 635 DV IPI NEWCASTLE

The Jøtul GI 635 DV IPI Newcastle, with the new powdered coated arched steel front, will accent a variety of decor choices. Shown in Jøtul Iron powder coat with optional Black Reflective Glass liner and black backer panel.

HEATING ZONES

HEATING CAPACITY BY ZONE

Jøtul Gas Stoves & Inserts US & Canada Heat Capacity by Zone



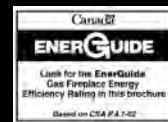
This heating capacity zone chart is to be used as a guideline only. Square footage measurements may differ due to climate, building construction, and location of stove. Heating capacity on the product page is based on Zone 4.

Model	Min/Max Input (BTU/Hr)	Zone 1 (sq. ft.)	Zone 2 (sq. ft.)	Zone 3 (sq. ft.)	Zone 4 (sq. ft.)	Zone 5 (sq. ft.)	Zone 6 (sq. ft.)
Jøtul GF 200 Lillehammer	11 - 20,000	100	200	400	600	700	800
Jøtul GF 300 Allagash	14 - 26,000	400	600	800	1000	1200	1300
Jøtul GF 400 DV Sebago	18 - 32,000	700	1000	1200	1400	1600	2000
Jøtul GF 400 BV Sebago	22 - 40,000	800	1200	1400	1600	1800	2200
Jøtul GF 500 Portland	13 - 40,000	800	1200	1400	1600	1800	2200
Jøtul GF 160 DV IPI	15 - 24,000	200	300	500	800	900	1000
Jøtul GF 305 DV IPI	18 - 28,000	400	600	800	1000	1200	1300
Jøtul GF 370 DV II	18 - 28,000	400	600	800	1000	1200	1300
Jøtul GI 450 DV II IPI Katahdin	24 - 33,000	700	1000	1200	1400	1600	2000
Jøtul GI 535 DV IPI New Harbor	11 - 32,000	700	1000	1200	1400	1600	2000
Jøtul GI 635 DV IPI Newcastle	10 - 40,000	800	1200	1400	1600	1800	2200



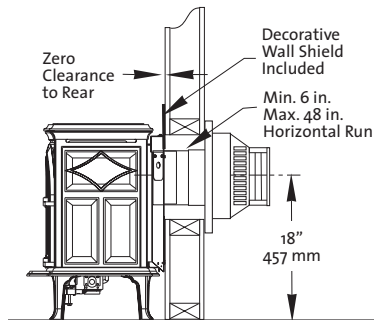
General note for all stoves and fireplaces

1. Heating Capacity will vary depending on the design of the home, climate, elevation, operation and venting configuration.
2. Depth dimension includes ashlip and flue collar.
3. With maximum vent configuration.
4. All Jøtul gas stoves and fireplaces include approved fire safety screen



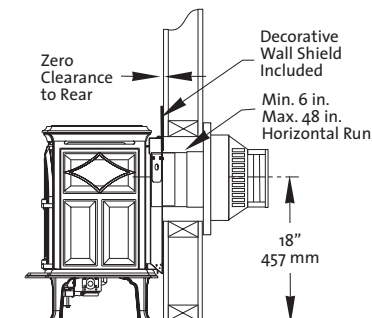
TECHNICAL DIMENSIONS

JØTUL GF 200 DV LILLEHAMMER - Page 8



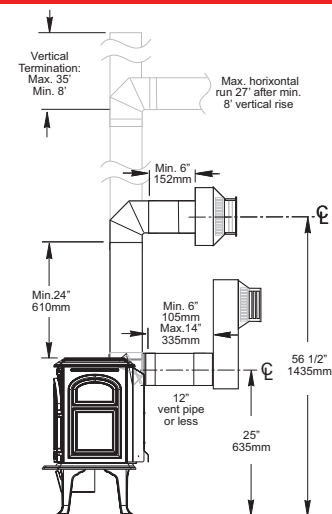
Heating Capacity ¹	Up to 600 sq. ft.
Min/Max Heat Input (BTU/hr)	11,400-20,000 (NG) 8,450-18,000 (LP)
Efficiency Steady State	75.05%
Efficiency AFUE	65.25%
EnerGuide Rating (Canada only)	70.10% (NG) 68.96% (LP)
Venting	4" x 6 5/8"
Dimensions	
Height	25"
Height w/ opt. long legs	26 1/4"
Width	22 3/4"
Depth ²	17 1/4"
Clearances	
Rear	0" (zero clearance)
Side	3"
Corner	2"
9 1/2" deep mantel	26"

JØTUL GF 200 IPI LILLEHAMMER - Page 9



Heating Capacity ¹	Up to 600 sq. ft.
Min/Max Heat Input (BTU/hr)	11,000-20,000 (NG) 9,000-18,000 (LP)
Efficiency Steady State	75.16%
Efficiency AFUE	68.20% (LP)
EnerGuide Rating (Canada only)	67.21% (NG) 71.05% (LP)
Venting	5" x 8"
Dimensions	
Height	25"
Height w/ opt. long legs	26 1/4"
Width	22 3/4"
Depth ²	17 1/4"
Clearances	
Rear	0" (zero clearance)
Side	3"
Corner	2"
9 1/2" deep mantel	26"

JØTUL GF 300 DV ALLAGASH - Page 10

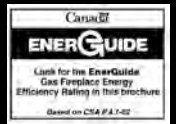


Heating Capacity ¹	Up to 1,000 sq. ft.
Min/Max Heat Input (BTU/hr)	14,000-26,000 (NG) 14,000-26,000 (LP)
Efficiency Steady State	75.30%
Efficiency AFUE	65.30%
EnerGuide Rating (Canada only)	63.98% (NG)
Venting	4" x 6 5/8"
Dimensions	
Height	28"
Height w/ opt. short legs	25 3/4"
Width	22 1/2"
Depth ²	17 1/2"
Clearances	
Rear	2"
Side	3"
Corner	2"
10" deep mantel	30 1/2"



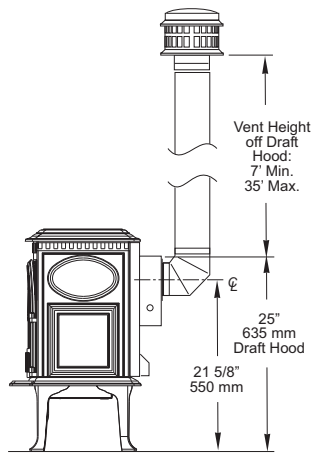
General note for all stoves and fireplaces

1. Heating Capacity will vary depending on the design of the home, climate, elevation, operation and venting configuration.
2. Depth dimension includes ashlip and flue collar.
3. With maximum vent configuration.
4. All Jøtul gas stoves and fireplaces include approved fire safety screen



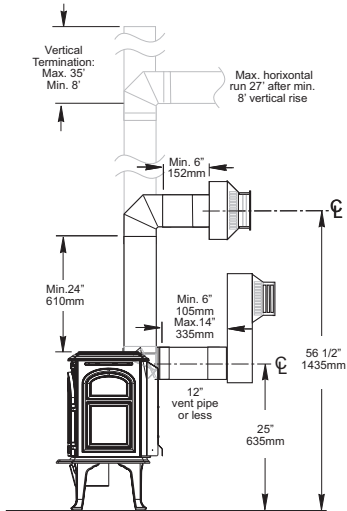
TECHNICAL DIMENSIONS

JØTUL GF 300 BV ALLAGASH - Page 10



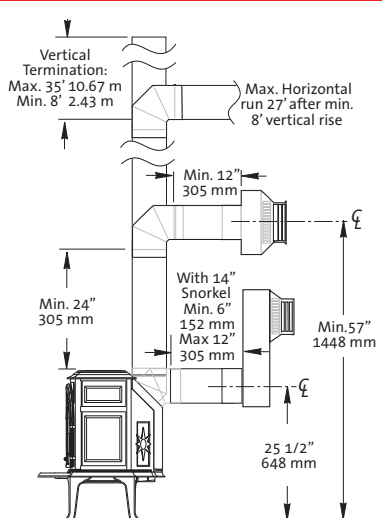
Heating Capacity ¹	Up to 1,000 sq.ft.
Min/Max Heat Input (BTU/hr)	15,000-26,000 (NG) 13,500-26,000 (LP)
Efficiency Steady State	82.31%
Efficiency AFUE	75.90%
EnerGuide Rating (Canada only)	58.68%
Venting	4"
Dimensions	
Height	27 3/4"
Height w/ opt. short legs	25 1/2"
Width	22 1/2"
Depth ²	18 3/4"
Clearances	
Rear	2"
Side	3"
Corner	3"
11.5" deep mantel	29"

JØTUL GF 300 DV IPI ALLAGASH - Page 11



Heating Capacity ¹	Up to 1,000 sq.ft.
Min/Max Heat Input (BTU/hr)	15,000-26,000 (NG) 12,000-24,000 (LP)
Efficiency Steady State	73.57%
Efficiency AFUE	66.90%
EnerGuide Rating (Canada only)	68.61% (NG) 68.93% (LP)
Venting	4" x 6 5/8"
Dimensions	
Height	28"
Height w/ opt. short legs	25 3/4"
Width	22 1/2"
Depth ²	17 1/2"
Clearances	
Rear	2"
Side	3"
Corner	2"
10" deep mantel	30 1/2"

JØTUL GF 400 DV SEBAGO - Page 12

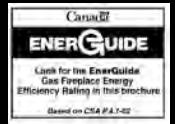


Heating Capacity ¹	Up to 1,400 sq.ft.
Min/Max Heat Input (BTU/hr)	18,000-32,000 (NG) 16,000-32,000 (LP)
Efficiency Steady State	75.60%
Efficiency AFUE	64.87%
EnerGuide Rating (Canada only)	61.53% (NG)
Venting	4" x 6 5/8"
Dimensions	
Height	28 1/2"
Height w/ opt. short legs	26 1/4"
Width	26 1/2"
Depth ²	20 1/2"
Clearances	
Rear	2"
Side	3"
Corner	2"
10" deep mantel	28 1/4"



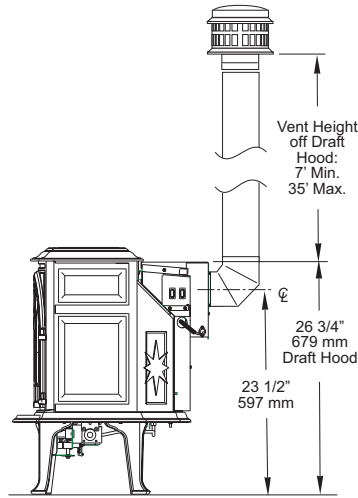
General note for all stoves and fireplaces

1. Heating Capacity will vary depending on the design of the home, climate, elevation, operation and venting configuration.
2. Depth dimension includes ashtray and flue collar.
3. With maximum vent configuration.
4. All Jøtul gas stoves and fireplaces include approved fire safety screen



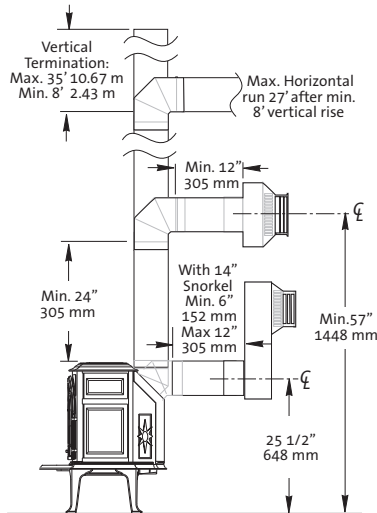
TECHNICAL DIMENSIONS

JØTUL GF 400 BV SEBAGO - Page 12



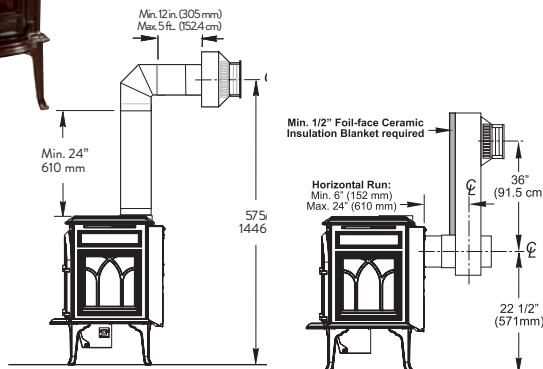
Heating Capacity ¹	Up to 1,600 sq.ft.
Min/Max Heat Input (BTU/hr)	22,000-40,000 (NG) 20,000-40,000 (LP)
Efficiency Steady State	82.56%
Efficiency AFUE	72.18%
EnerGuide Rating (Canada only)	63.51% (NG)
Venting	4"
Dimensions	
Height	28.5"
Height w/ opt. short legs	26 1/4"
Width	26 1/2"
Depth ²	24"
Clearances	
Rear	3"
Side	3"
Corner	3"
10" deep mantel	25 1/4"

JØTUL GF 400 DV IPI SEBAGO - Page 13



Heating Capacity ¹	Up to 1,400 sq.ft.
Min/Max Heat Input (BTU/hr)	17,000-32,000 (NG) 14,000-30,000 (LP)
Efficiency Steady State	77.02%
Efficiency AFUE	69.27%
EnerGuide Rating (Canada only)	67.70% (NG) 66.91% (LP)
Venting	4" x 6 5/8"
Dimensions	
Height	28 1/2"
Height w/ opt. short legs	26 1/4"
Width	26 1/2"
Depth ²	20 1/2"
Clearances	
Rear	2"
Side	3"
Corner	2"
10" deep mantel	28 1/4"

JØTUL GF 500 DV PORTLAND - Page 14

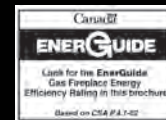


Heating Capacity ¹	Up to 1,600 sq.ft.
Min/Max Heat Input (BTU/hr)	12,800-40,000 (NG) 14,000-39,500 (LP)
Efficiency Steady State	74.26%
Efficiency AFUE	67%
EnerGuide Rating (Canada only)	74.25% (NG) 75.01% (LP)
Venting	4" x 6 5/8"
Dimensions	
Height	30"
Height w/ opt. short legs	27 3/4"
Width	28 1/2"
Depth ²	23"
Clearances	
Rear	1.5"
Side	2"
Corner	2"
11.5" deep mantel	10 3/4"



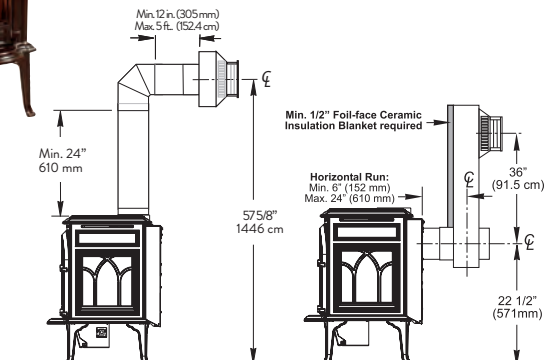
General note for all stoves and fireplaces

1. Heating Capacity will vary depending on the design of the home, climate, elevation, operation and venting configuration.
2. Depth dimension includes ashlip and flue collar.
3. With maximum vent configuration.
4. All Jøtul gas stoves and fireplaces include approved fire safety screen



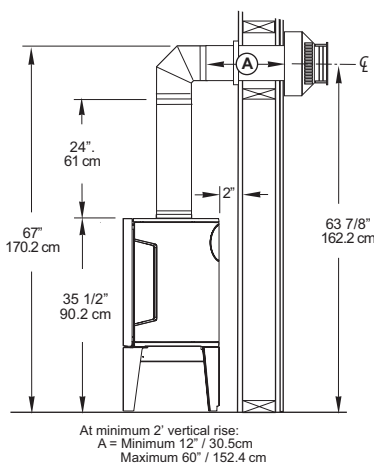
TECHNICAL DIMENSIONS

JØTUL GF 500 DV IPI PORTLAND - Page 15



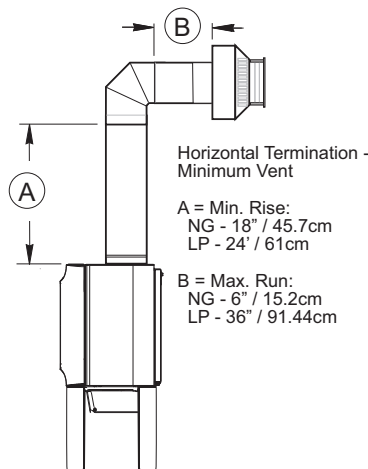
Heating Capacity ¹	Up to 1,600 sq.ft.
Min/Max Heat Input (BTU/hr)	12,800-40,000 (NG) 14,000-39,500 (LP)
Efficiency Steady State	74.76%
Efficiency AFUE	67.60%
EnerGuide Rating (Canada only)	75.41% (NG) 76.01% (LP)
Venting	4" x 6 5/8"
Dimensions	
Height	30"
Height w/ opt. short legs	27 3/4"
Width	28 1/2"
Depth ²	23"
Clearances	
Rear	1.5"
Side	2"
Corner	2"
10" deep mantel	10 3/4"

JØTUL GF 160 DV IPI - Page 16



Heating Capacity ¹	Up to 600 sq.ft.
Min/Max Heat Input (BTU/hr)	15,800-24,000 (NG) 19,800-24,000 (LP)
Efficiency Steady State	74.49%
Efficiency AFUE	66.40%
EnerGuide Rating (Canada only)	67.05% (NG) 67.83% (LP)
Venting	4" x 6 5/8"
Dimensions	
Height	35 1/2"
Width	17 3/4"
Depth ²	17 3/4"
Clearances	
Rear	3"
Side	7 3/8"
Corner	3 3/8"
Ceiling From Stove Top	33 1/2" (For vertical termination only)

JØTUL GF 305 DV IPI - Page 18

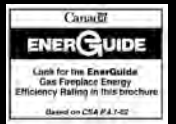


Heating Capacity ¹	Up to 1,000 sq.ft.
Min/Max Heat Input (BTU/hr)	18,707-28,000 (NG) 22,370-28,000 (LP)
Efficiency Steady State	73.16%
Efficiency AFUE	67.2%
EnerGuide Rating (Canada only)	65.67% (NG) 65.77% (LP)
Venting	4" x 6 5/8"
Dimensions	
Height	33 3/8"
Width	22"
Depth ²	16 1/4"
Clearances	
Rear	2"
Side	2" (R side) 6" (L side)
Corner	3"
Ceiling From Stove Top	24 1/2" (For vertical termination only)



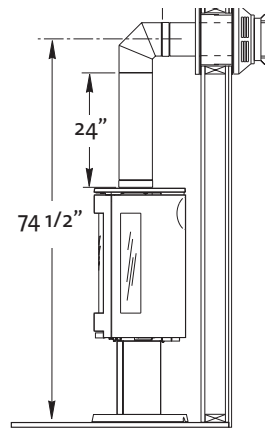
General note for all stoves and fireplaces

1. Heating Capacity will vary depending on the design of the home, climate, elevation, operation and venting configuration.
2. Depth dimension includes ashlip and flue collar.
3. With maximum vent configuration.
4. All Jøtul gas stoves and fireplaces include approved fire safety screen



TECHNICAL DIMENSIONS

JØTUL GF 370 DV - Page 20



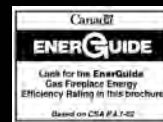
Minimum Vent into Horizontal Termination

Heating Capacity ¹	Up to 1,000 sq.ft.
Min/Max Heat Input (BTU/hr)	18,170 -28,000 (NG) 20,750-24,000 (LP)
Efficiency Steady State	79.30%
Efficiency AFUE	68.01%
EnerGuide Rating (Canada only)	70.53% (NG) 63.23% (LP)
Venting	4" x 6 5/8"
Dimensions	
Height	45 1/2"
Width	18 1/4"
Depth ²	18 3/4"
Clearances	
Rear	3"
Side	7"
Corner	5"
Ceiling From Stove Top 16 3/4" (For vertical termination only)	

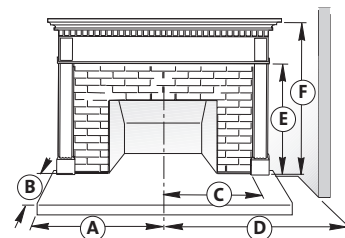
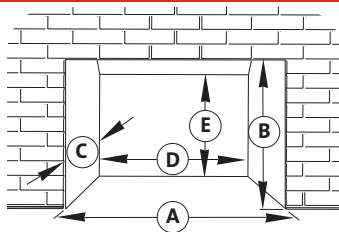
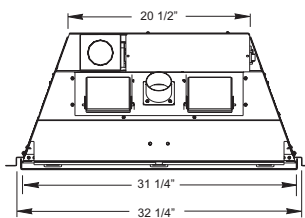
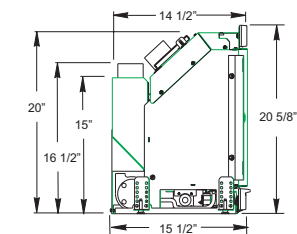


General note for all stoves and fireplaces

1. Heating Capacity will vary depending on the design of the home, climate, elevation, operation and venting configuration.
2. Depth dimension includes ashtray and flue collar.
3. With maximum vent configuration.
4. All Jøtul gas stoves and fireplaces include approved fire safety screen



JØTUL GI 450 DV II IPI KATAHDIN - Page 22



A	Minimum Opening Width	32 1/2"
B	Minimum Opening Height	20"
C	Minimum Fireplace Depth	15"
D	Minimum Back Wall Width	21"
E	Minimum Back Wall Height	17"

A: Hearth Protection Width

- Unit flush or raised: 8" from fireplace opening

B: Hearth Protection Depth

- Unit flush with hearth 16"
- Unit raised min. 6" off floor: 12"

C: Side Trim Clearance

- Up to 6" thick, from fireplace center line: 20 1/2"

D: Side Room Wall Clearance

- From the fireplace center line: 24 1/2"

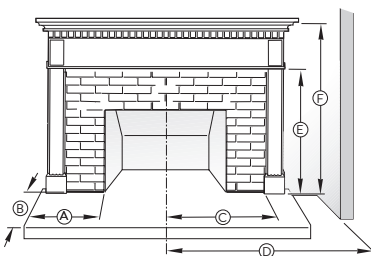
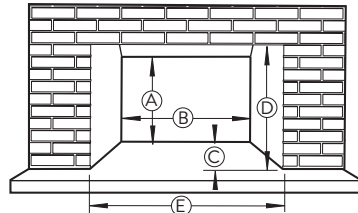
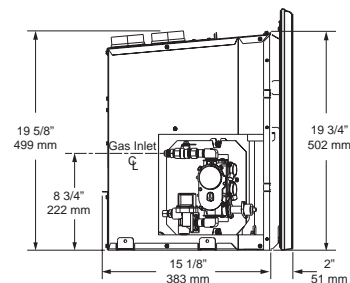
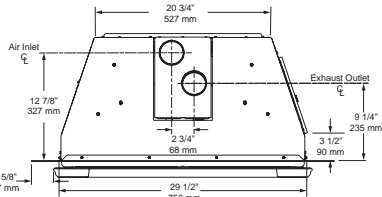
E: Top Trim Clearance

- From hearth: 41"

F: Mantel Clearance

- 42.5" @ 3.5" depth and 48.5" @ 11.5"
- EnerGuide Rating (Canada only) 73.26% (NG)

JØTUL GI 535 DV IPI NEW HARBOR - Page 24



A	Minimum Back Wall Height	20"
B	Minimum Back Wall Width	21"
C	Minimum Fireplace Depth	15 3/8"
D	Minimum Opening Height	20"
E	Minimum Opening Width	30"

A: Hearth Protection Width

- Unit flush or raised: 3 1/8" from fireplace opening

B: Hearth Protection Depth

- Unit flush with hearth 12"
- Unit raised min. 6" off floor: 0"

C: Side Trim Clearance

- Up to 6" thick, from fireplace center line: 17 7/8"

D: Side Room Wall Clearance

- From the fireplace center line: 20 3/8"

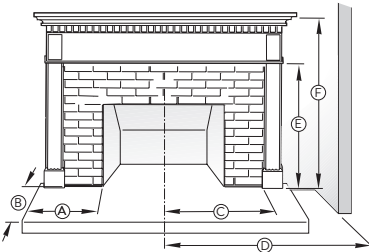
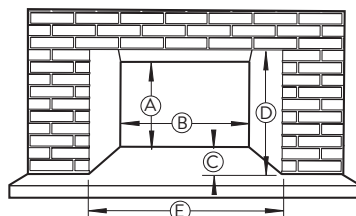
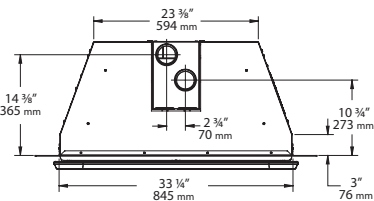
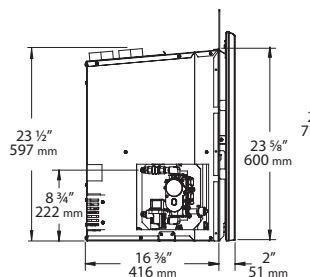
E: Top Trim Clearance From Hearth

- 36 1/2"

F: Mantel Clearance From Hearth

- 36 1/2" at 4"/ 39 1/4" at 12" depth
- EnerGuide Rating (Canada only) 65.62% (NG) 66.45% (LP)

JØTUL GI 635 DV IPI NEWCASTLE - Page 24



A	Minimum Back Wall Height	24"
B	Minimum Back Wall Width	23 1/2"
C	Minimum Fireplace Depth	16 1/2"
D	Minimum Opening Height	24"
E	Minimum Opening Width	33 3/4"

A: Hearth Protection Width

- Unit flush or raised: 4 1/8" from fireplace opening

B: Hearth Protection Depth

- Unit flush with hearth 12"
- Unit raised min. 6" off floor: 0"

C: Side Trim Clearance

- Up to 6" thick, from fireplace center line: 21"

D: Side Room Wall Clearance

- From the fireplace center line: 24"

E: Top Trim Clearance

- From hearth: 37"

F: Mantel

- 37" at 4"/ 41" at 12" depth
- EnerGuide Rating (Canada only) 65.71% (NG) 67.18% (LP)



“Jøtul – a life-long source of warmth and comfort.”

Dealer info:

March 2018



jotul.com/us